

DC Pass

Matching Transformer

Z7550-BMNF+

50/75Ω

DC to 2500 MHz



CASE STYLE: QP1876

The Big Deal

- Low Insertion loss 0.6 dB
- 1W Power Handling
- N-F (50Ω) to BNC-M (75Ω) Connectors

Product Overview

Mini-Circuits' Z7550-BMNF+ is a coaxial 50/75Ω matching transformer covering the DC to 2500 MHz frequency range, supporting impedance matching in a wide range of systems including CATV, broadband networks, matching antenna systems and more. This model is ideal for 50/75Ω impedance matching in systems where minimizing overall signal loss is a priority. The transformer handles RF input power up to 1W and comes housed in a rugged, compact aluminum alloy case (1.25 x 1.25 x 0.75") with N-F (50Ω) to BNC-M (75Ω) connectors.

Key Features

| Feature | Advantages |
|---|---|
| Wideband, DC to 2500 MHz | Supports a wide variety of applications including CATV and DOCSIS® 3.1 systems and equipment. |
| Low insertion loss, 0.5 dB | Enables excellent signal power transmission from input to output, minimizing overall system losses. |
| 1W Power handling | Supports a range of system power requirements. |
| Compact size, 1.25 x 1.25 x 0.75" | Accommodates tight space requirements for crowded system layouts. |
| Connectorized package N-F (50Ω) to BNC-M (75Ω) connectors | Supports connections between components with different connector types. |

Notes

- A. Performance and quality attributes and conditions not expressly stated in this specification document are intended to be excluded and do not form a part of this specification document.
B. Electrical specifications and performance data contained in this specification document are based on Mini-Circuit's applicable established test performance criteria and measurement instructions.
C. The parts covered by this specification document are subject to Mini-Circuits standard limited warranty and terms and conditions (collectively, "Standard Terms"); Purchasers of this part are entitled to the rights and benefits contained therein. For a full statement of the Standard Terms and the exclusive rights and remedies thereunder, please visit Mini-Circuits' website at www.minicircuits.com/MCLStore/terms.jsp



DC Pass Matching Transformer

Z7550-BMNF+

50/75Ω DC to 2500 MHz

Maximum Ratings

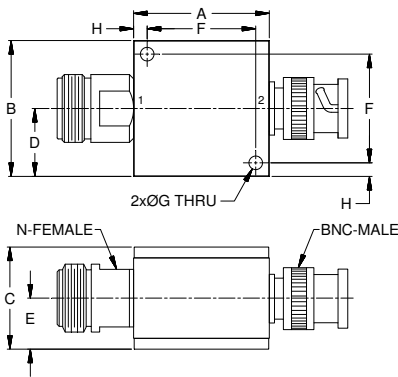
| | |
|-----------------------|----------------|
| Operating Temperature | -40°C to 85°C |
| Storage Temperature | -55°C to 100°C |
| DC Current | 5A max. |
| DC Resistance | 0.2Ω max. |

Permanent damage may occur if any of these limits are exceeded.

Coaxial Connections

| | |
|--------|----------|
| Input | N-Female |
| Output | BNC-Male |

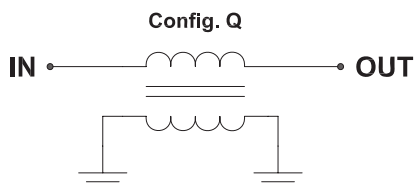
Outline Drawing



Outline Dimensions (inch mm)

| A | B | C | D | E | F | G | H | Wt. |
|-------|-------|-------|-------|-------|-------|------|------|-------|
| 1.25 | 1.25 | .94 | .63 | .47 | 1.00 | .13 | .13 | grams |
| 31.75 | 31.75 | 23.88 | 16.00 | 11.94 | 25.40 | 3.30 | 3.30 | 67 |

Functional Schematic



Features

- Low loss (0.6 dB) matching device
- Wideband coverage, DC-2500MHz
- Connectorized package

Applications

- Impedance matching
- CATV
- Matching antenna systems



CASE STYLE: QP1876
Connectors Model
75Ω BNC-M Z7550-BMNF+
50Ω N-F

+RoHS Compliant

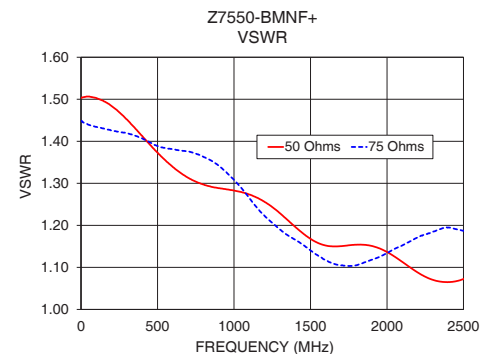
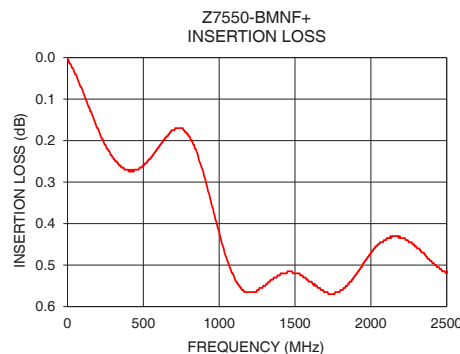
The +Suffix identifies RoHS Compliance. See our web site for RoHS Compliance methodologies and qualifications

Electrical Specifications at 25°C

| Parameter | Frequency (MHz) | Min. | Typ. | Max. | Unit |
|-----------------|-----------------|------|------|------|------|
| Frequency Range | - | DC | - | 2500 | MHz |
| Insertion Loss | 10 | - | - | 0.3 | dB |
| | 950-2500 | - | 0.6 | 1.2 | |
| VSWR | 10 | - | - | 1.8 | :1 |
| | 950-2500 | - | - | 1.5 | |
| Power | DC-2500 | - | - | 1 | W |

Typical Performance Data

| Frequency (MHz) | Insertion Loss (dB) | VSWR | |
|-----------------|---------------------|------|------|
| | | 50 Ω | 75 Ω |
| 10 | 0.01 | 1.50 | 1.45 |
| 100 | 0.08 | 1.50 | 1.44 |
| 250 | 0.21 | 1.47 | 1.42 |
| 500 | 0.26 | 1.37 | 1.39 |
| 950 | 0.36 | 1.29 | 1.33 |
| 1500 | 0.52 | 1.17 | 1.14 |
| 1750 | 0.57 | 1.15 | 1.10 |
| 2150 | 0.43 | 1.10 | 1.16 |
| 2300 | 0.46 | 1.07 | 1.18 |
| 2500 | 0.52 | 1.07 | 1.19 |



Notes

- Performance and quality attributes and conditions not expressly stated in this specification document are intended to be excluded and do not form a part of this specification document.
- Electrical specifications and performance data contained in this specification document are based on Mini-Circuit's applicable established test performance criteria and measurement instructions.
- The parts covered by this specification document are subject to Mini-Circuits standard limited warranty and terms and conditions (collectively, "Standard Terms"); Purchasers of this part are entitled to the rights and benefits contained therein. For a full statement of the Standard Terms and the exclusive rights and remedies thereunder, please visit Mini-Circuits' website at www.minicircuits.com/MCLStore/terms.jsp



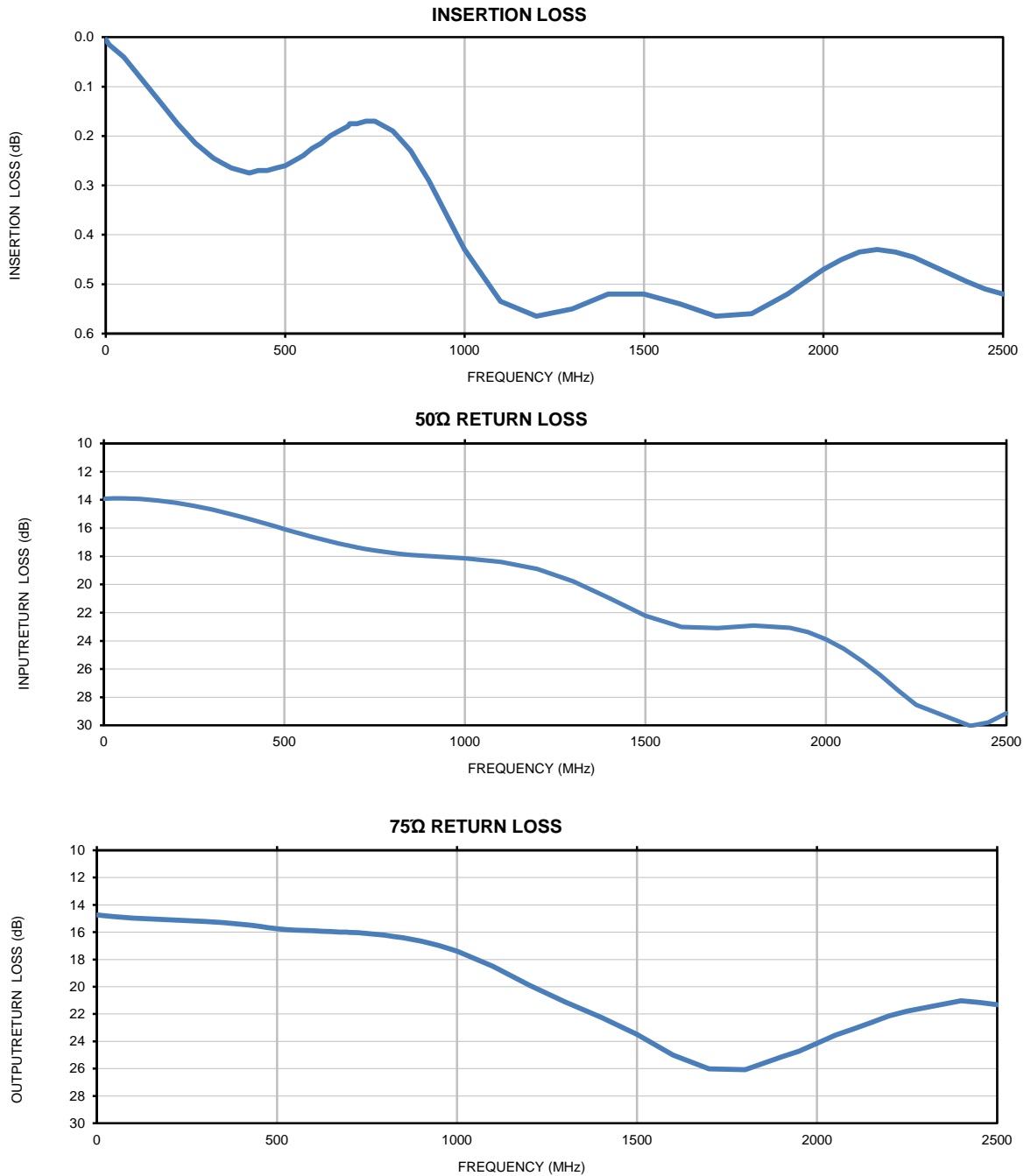
www.minicircuits.com P.O. Box 350166, Brooklyn, NY 11235-0003 (718) 934-4500 sales@minicircuits.com

REV. OR
M159770
Z7550-BMNF+
EDU1923_2
URJ
170327
Page 2 of 2

Typical Performance Data

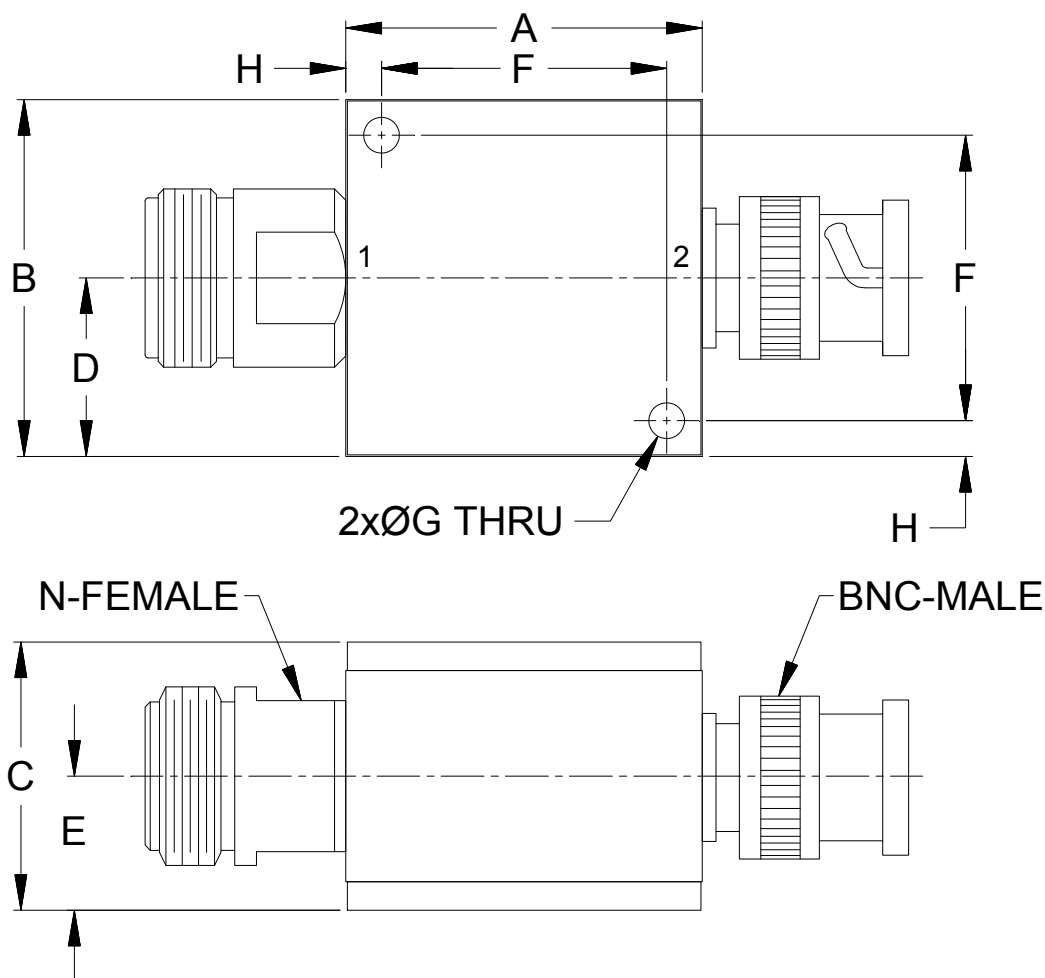
| FREQ. | INSERTION LOSS | INPUT RETURN LOSS (50Ω) | OUTPUT RETURN LOSS (75Ω) |
|---------|----------------|----------------------------|-----------------------------|
| (MHz) | (dB) | (dB) | (dB) |
| 1.00 | 0.01 | 13.94 | 14.74 |
| 5.00 | 0.01 | 13.92 | 14.75 |
| 10.00 | 0.02 | 13.92 | 14.76 |
| 25.00 | 0.03 | 13.90 | 14.80 |
| 50.00 | 0.04 | 13.89 | 14.86 |
| 100.00 | 0.09 | 13.94 | 14.96 |
| 150.00 | 0.13 | 14.05 | 15.03 |
| 200.00 | 0.18 | 14.21 | 15.09 |
| 250.00 | 0.22 | 14.43 | 15.16 |
| 300.00 | 0.25 | 14.69 | 15.21 |
| 325.00 | 0.26 | 14.85 | 15.25 |
| 350.00 | 0.27 | 15.00 | 15.29 |
| 375.00 | 0.27 | 15.17 | 15.35 |
| 400.00 | 0.28 | 15.34 | 15.42 |
| 425.00 | 0.27 | 15.52 | 15.49 |
| 450.00 | 0.27 | 15.71 | 15.57 |
| 475.00 | 0.27 | 15.89 | 15.66 |
| 500.00 | 0.26 | 16.07 | 15.74 |
| 525.00 | 0.25 | 16.26 | 15.81 |
| 550.00 | 0.24 | 16.43 | 15.85 |
| 575.00 | 0.23 | 16.61 | 15.88 |
| 600.00 | 0.22 | 16.78 | 15.90 |
| 625.00 | 0.20 | 16.94 | 15.93 |
| 650.00 | 0.19 | 17.09 | 15.96 |
| 675.00 | 0.18 | 17.23 | 15.99 |
| 680.00 | 0.18 | 17.26 | 15.99 |
| 685.00 | 0.18 | 17.29 | 15.99 |
| 690.00 | 0.18 | 17.32 | 16.00 |
| 695.00 | 0.18 | 17.34 | 16.00 |
| 700.00 | 0.18 | 17.37 | 16.01 |
| 725.00 | 0.17 | 17.49 | 16.04 |
| 750.00 | 0.17 | 17.59 | 16.09 |
| 800.00 | 0.19 | 17.76 | 16.23 |
| 825.00 | 0.21 | 17.84 | 16.32 |
| 850.00 | 0.23 | 17.90 | 16.41 |
| 875.00 | 0.26 | 17.95 | 16.52 |
| 900.00 | 0.29 | 17.99 | 16.65 |
| 925.00 | 0.33 | 18.02 | 16.81 |
| 950.00 | 0.36 | 18.06 | 16.99 |
| 975.00 | 0.40 | 18.10 | 17.19 |
| 1000.00 | 0.43 | 18.14 | 17.40 |
| 1100.00 | 0.54 | 18.40 | 18.50 |
| 1200.00 | 0.57 | 18.91 | 19.87 |
| 1300.00 | 0.55 | 19.77 | 21.10 |
| 1400.00 | 0.52 | 20.97 | 22.23 |
| 1500.00 | 0.52 | 22.22 | 23.50 |
| 1600.00 | 0.54 | 23.02 | 25.02 |
| 1700.00 | 0.57 | 23.10 | 26.01 |
| 1800.00 | 0.56 | 22.92 | 26.07 |
| 1900.00 | 0.52 | 23.07 | 25.16 |
| 1950.00 | 0.50 | 23.38 | 24.72 |
| 2000.00 | 0.47 | 23.89 | 24.15 |
| 2050.00 | 0.45 | 24.57 | 23.56 |
| 2100.00 | 0.44 | 25.43 | 23.11 |
| 2150.00 | 0.43 | 26.42 | 22.63 |
| 2200.00 | 0.44 | 27.50 | 22.14 |
| 2250.00 | 0.45 | 28.53 | 21.78 |
| 2400.00 | 0.50 | 30.03 | 21.02 |
| 2450.00 | 0.51 | 29.79 | 21.15 |
| 2500.00 | 0.52 | 29.13 | 21.32 |

Typical Performance Curves



Outline Dimensions

QP1876



| CASE# | A | B | C | D | E | F | G | H | WT.GRAMS |
|--------|-----------------|-----------------|----------------|----------------|----------------|------------------|---------------|---------------|----------|
| QP1876 | 1.25 (31.75) | 1.25 (31.75) | .94 (23.88) | .63 (16.00) | .47 (11.94) | 1.000 (25.40) | .13 (3.30) | .13 (3.30) | 67 |

Dimensions are in inches (mm). Tolerances: 2 Pl. $\pm .03$; 3 Pl. $\pm .015$

Notes:

1. Case material: Aluminum alloy.
2. Case finish:

For RoHS Case Styles: Clear chemical conversion coating, non-chrome or trivalent chrome based.



P.O. Box 350166, Brooklyn, New York 11235-0003 (718) 934-4500 Fax (718) 332-4661 For detailed performance specs & shopping online see Mini-Circuits web site



The Design Engineers Search Engine Provides ACTUAL Data Instantly From MINI-CIRCUITS At: www.minicircuits.com

RF/IF MICROWAVE COMPONENTS



All Mini-Circuits products are manufactured under exacting quality assurance and control standards, and are capable of meeting published specifications after being subjected to any or all of the following physical and environmental test.

| Specification | Test/Inspection Condition | Reference/Spec |
|----------------------------|--|--------------------------------------|
| Operating Temperature | -55° to 100°C Ambient Environment | Individual Model Data Sheet |
| Storage Temperature | -55° to 100° C Ambient Environment | Individual Model Data Sheet |
| Barometric Pressure | 100,000 Feet | MIL-STD-202, Method 105, Condition D |
| Humidity | 90% RH, 65°C Units may require bake-out after humidity to restore full performance. | MIL-STD-202, Method 103 |
| Thermal Shock | -65° to 125°C, 5 cycles | MIL-STD-202, Method 107, Condition B |
| Vibration (High Frequency) | 20g peak, 10-2000 Hz, 12 times in each of three perpendicular directions (total 36) | MIL-STD-202, Method 204, Condition D |
| Mechanical Shock | 100g, 6ms sawtooth, 3 shocks each direction 3 axes (total 18) | MIL-STD-202, Method 213, Condition I |