

**KEY FEATURES**

- Full W-band frequency band, 75-110 GHz
- Low Insertion Loss, 0.7 dB Typ.
- Excellent VSWR, 1.2:1 Typ.
- Compact right-angle design
- Precision UG387/U anti-cocking waveguide flange
- 1.0 mm-Female connector

*Generic photo used for illustration purposes only***HANDLING INSTRUCTIONS**

1.0 mm connectors require specific handling and torque values. See Mini-Circuits Application Note AN-71-001 for detail.

PRODUCT OVERVIEW

Mini-Circuits' WR10-10R+ is a waveguide to coaxial adapter operating from 75 to 110 GHz. This product features a WR10 waveguide interface with a precision standard UG387/U anti-cocking flange to a 1.0 mm-Female coaxial connector. The WR10-10R+ features aluminum alloy construction and a gold-plated finish to ensure repeatable RF performance. This right-angle adapter has applications in R&D, over-the-air (OTA) mmWave test laboratories as well as in W-Band communication and SATCOM systems. Mounting screws are included with product purchase.

ELECTRICAL SPECIFICATIONS AT +25°C

Parameter	Frequency (GHz)	Min.	Typ.	Max.	Units
Frequency Range		75		110	GHz
Insertion Loss	75-90		0.7	1.3	dB
	90-100		0.6	1.3	
	100-110		0.7	1.3	
VSWR	75-90		1.2	1.6	:1
	90-100		1.2	1.6	
	100-110		1.2	1.6	

ABSOLUTE MAXIMUM RATINGS¹

Operating Case Temperature	+10° C to +40° C
Storage Temperature	-55° C to +100° C

1. Permanent damage may occur if any of these limits are exceeded.



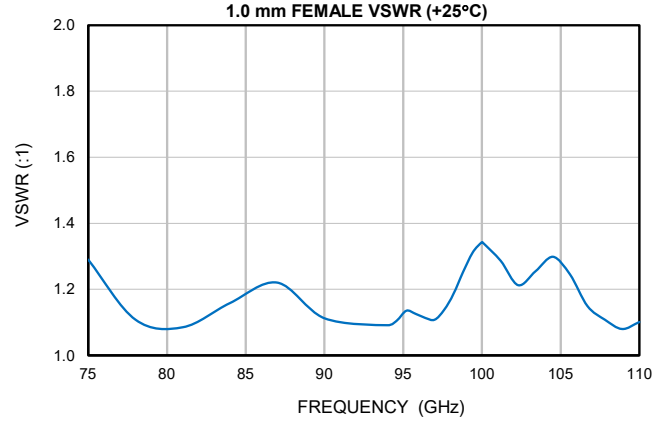
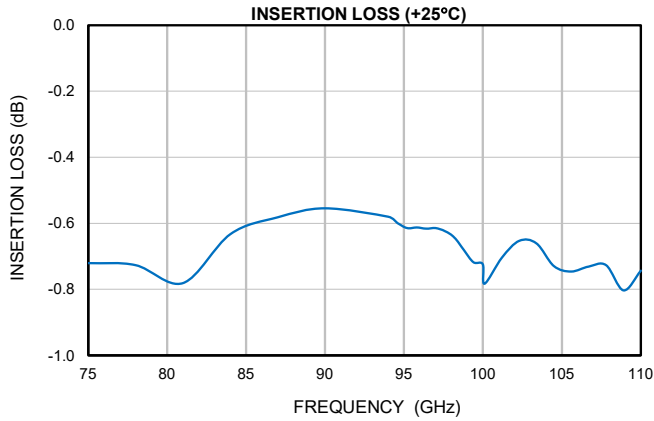
WAVEGUIDE/COAXIAL

Adapter

WR10-10R+

50Ω 75 to 110 GHz Right-Angle 1.0 mm-Female to WR10 UG387/U Flange

TYPICAL PERFORMANCE GRAPHS

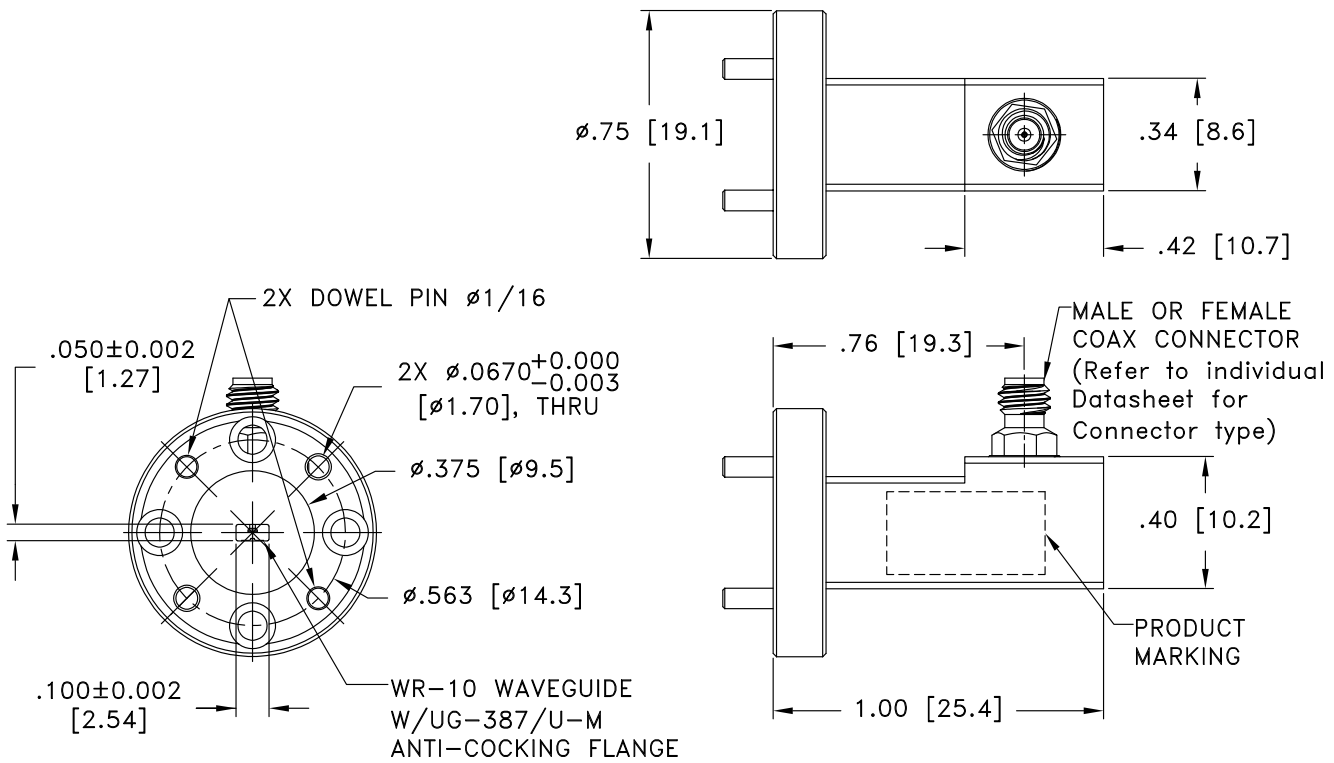




CONNECTOR SPECIFICATIONS

Description	Connector 1	Connector 2
Connector Type	WR10 UG387/U Flange	1.0 mm Female
Orientation	Straight	Right-Angle

CASE STYLE DRAWING



Weight: 11 grams

Dimensions are in inches [mm]. Tolerances: 2 Pl. $\pm .03$; 3 Pl. $\pm .015$ Inches

PRODUCT MARKING*: WR10-10R+

*Marking may contain other features or characters for internal lot control.



WAVEGUIDE/COAXIAL

Adapter

WR10-10R+

Mini-Circuits

50Ω 75 to 110 GHz Right-Angle 1.0 mm-Female to WR10 UG387/U Flange

ADDITIONAL INFORMATION IS AVAILABLE ON OUR DASHBOARD [CLICK HERE](#)

Performance Data & Graphs	Data Graphs S-Parameter (S2P Files) Data Set (.zip file)
Case Style	UW3674
RoHS Status	Compliant
Environmental Ratings	ENV145

Notes

- A. Performance and quality attributes and conditions not expressly stated in this specification document are intended to be excluded and do not form a part of this specification document.
- B. Electrical specifications and performance data contained in this specification document are based on Mini-Circuits' applicable established test performance criteria and measurement instructions.
- C. The parts covered by this specification document are subject to Mini-Circuits' standard limited warranty and terms and conditions (collectively, "Standard Terms"; Purchasers of this part are entitled to the rights and benefits contained therein. For a full statement of the standard terms and the exclusive rights and remedies thereunder, please visit Mini-Circuits' website at <https://www.minicircuits.com/terms/viewterm.html>



Waveguide WR10 UG387/U to 1.0mm-F**WR10-10R+***Typical Performance Data (+25°C)*

FREQ.	INSERTION LOSS	1.0mm-FEMALE VSWR
(GHz)	(dB)	(:1)
75	-0.72	1.29
78	-0.73	1.11
81	-0.78	1.09
84	-0.63	1.16
87	-0.58	1.22
90	-0.55	1.11
94	-0.58	1.09
95	-0.60	1.11
95	-0.61	1.14
96	-0.61	1.13
96	-0.62	1.11
97	-0.61	1.11
98	-0.62	1.14
98	-0.64	1.19
99	-0.68	1.25
99	-0.72	1.31
100	-0.72	1.34
100	-0.78	1.34
101	-0.70	1.29
102	-0.65	1.21
103	-0.66	1.25
105	-0.73	1.30
106	-0.75	1.24
107	-0.73	1.15
108	-0.73	1.11
109	-0.80	1.08
110	-0.74	1.10

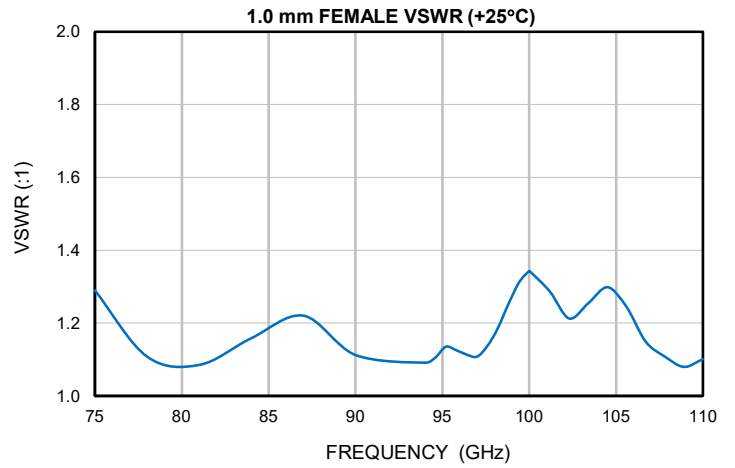
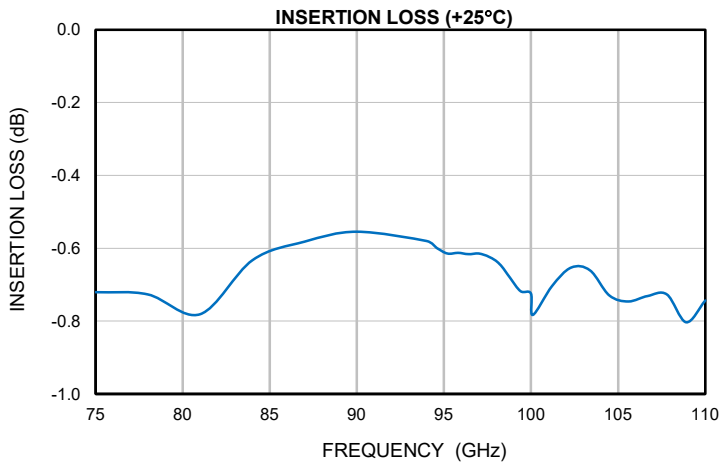


P.O. Box 350166, Brooklyn, New York 11235-0003 • Fax (718) 332-4661 For detailed performance specs & shopping online see Mini-Circuits web site
 The Design Engineers Search Engine Provides ACTUAL Data Instantly From MINI-CIRCUITS At: www.minicircuits.com



IF/RF MICROWAVE COMPONENTS

Typical Performance Curves

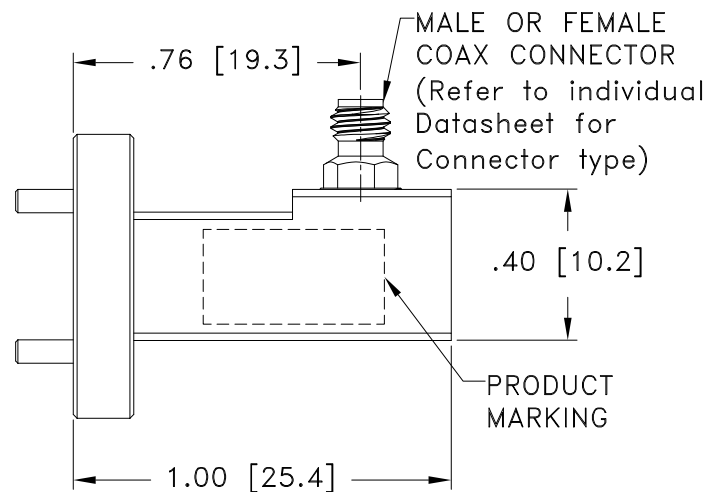
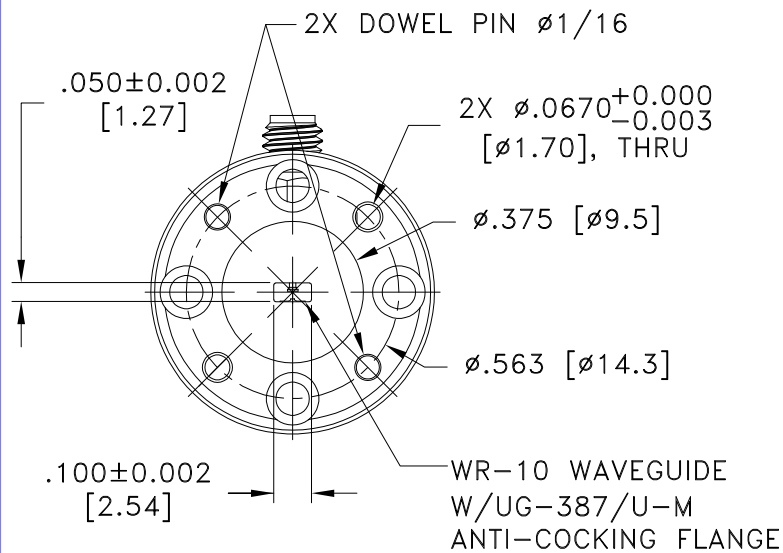
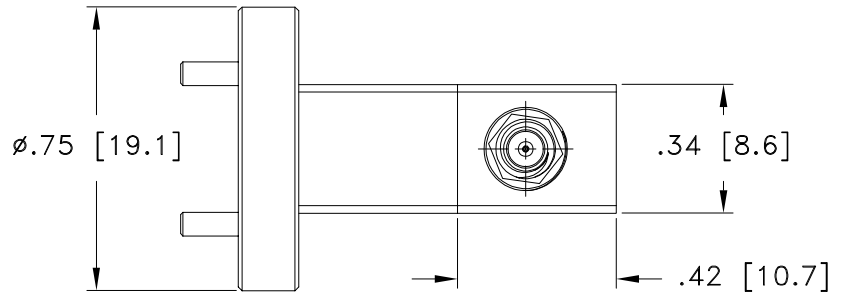


Case Style

UW

Outline Dimensions

UW3674



Weight: 11 grams

Dimensions are in inches [mm]. Tolerances: 2 Pl. $\pm .03$; 3 Pl. $\pm .015$ Inches

Notes:

1. Case material: Aluminum alloy.
2. Case Finish: Gold plated.

Mini-Circuits®
ISO 9001 ISO 14001 CERTIFIED

ALL NEW
minicircuits.com

P.O. Box 350166, Brooklyn, New York 11235-0003 (718) 934-4500 Fax (718) 332-4661 For detailed performance specs & shopping online see Mini-Circuits web site



The Design Engineers Search Engine Provides ACTUAL Data Instantly From MINI-CIRCUITS At: www.minicircuits.com

RF/IF MICROWAVE COMPONENTS



All Mini-Circuits products are manufactured under exacting quality assurance and control standards, and are capable of meeting published specifications after being subjected to any or all of the following physical and environmental test.

Specification	Test/Inspection Condition	Reference/Spec
Operating Temperature	10° to 40° C Ambient Environment	Individual Model Data Sheet
Storage Temperature	-55° to 100° C Ambient Environment	Individual Model Data Sheet