



FEATURES

- Wide bandwidth, 10 to 3000 MHz
- Balanced transmission line
- Excellent return loss
- Aqueous washable
- Patent pending



Generic photo used for illustration purposes only

CASE STYLE: DB1627

APPLICATIONS

- PCS
- Wideband push-pull amplifiers
- Cellular

+RoHS Compliant
The +Suffix identifies RoHS Compliance.
See our website for methodologies and qualifications

ELECTRICAL SPECIFICATIONS AT 25°C

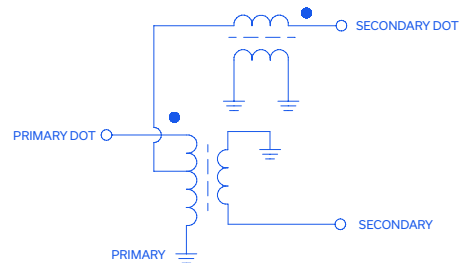
Parameter	Frequency (MHz)	Min.	Typ.	Max.	Units
Impedance Ratio (secondary/primary)		2			Ohm
Frequency Range		10		3000	MHz
Insertion Loss*	10-3000	—	1.5	3.0	dB
Amplitude Unbalance	10-3000	—	0.7	—	dB
Phase Unbalance	10-3000	—	4	—	Degree

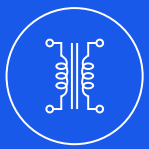
* Insertion Loss is referenced to mid-band loss, 0.8 dB typ.

MAXIMUM RATINGS

Parameter	Ratings
Operating Temperature	-40°C to 85°C
Storage Temperature	-55°C to 100°C
RF Power	0.4 W
DC Current	30 mA

CONFIGURATION N





top hat®
SURFACE MOUNT
RF Transformer

TCM2-33WX+

Mini-Circuits®

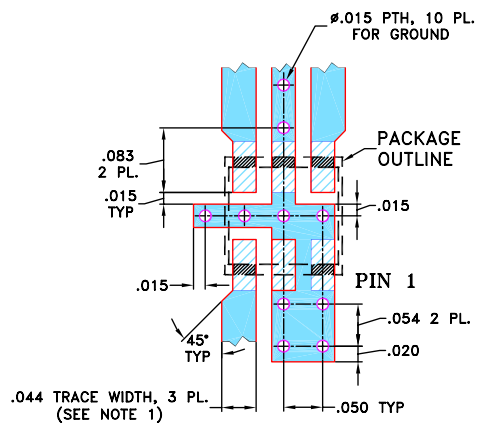
50Ω 10 to 3000 MHz

PAD CONNECTIONS

PRIMARY DOT	6
PRIMARY	2
SECONDARY DOT	4
SECONDARY	3
GND	2,5
NOT USED	1

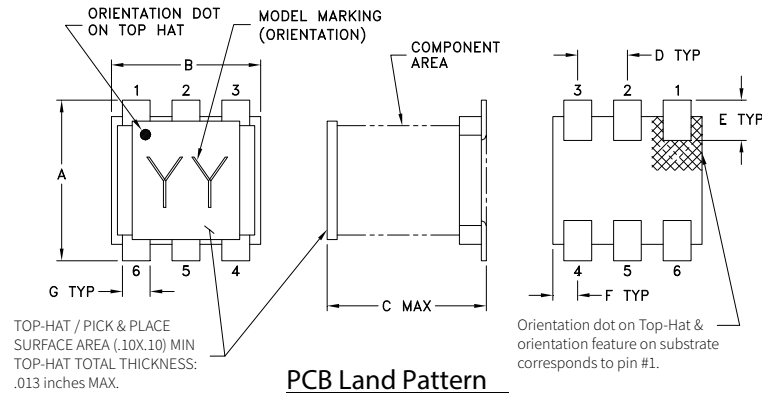
PRODUCT MARKING: GT

DEMOBOARD MCL P/N: TB-TCM2-33WX+
SUGGESTED PCB LAYOUT (PL-364)

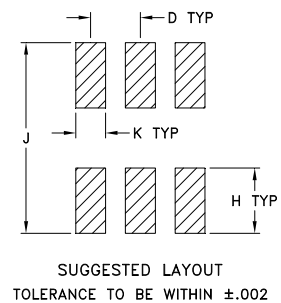


- NOTES:**
- TRACE WIDTH IS SHOWN FOR ROGERS RO4350B WITH DIELECTRIC THICKNESS .020" ± .0015"; COPPER: 1/2 OZ. ON EACH SIDE. FOR OTHER MATERIALS TRACE WIDTH MAY NEED TO BE MODIFIED.
 - BOTTOM SIDE OF THE PCB IS CONTINUOUS GROUND PLANE.
- DENOTES PCB COPPER LAYOUT WITH SMOBC (SOLDER MASK OVER BARE COPPER)
 DENOTES COPPER LAND PATTERN FREE OF SOLDER MASK

OUTLINE DRAWING



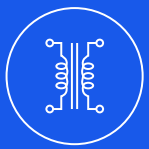
PCB Land Pattern



OUTLINE DIMENSIONS (Inches/mm)

A	B	C	D	E	F
.160	.150	.160	.050	.040	.025
4.06	3.81	4.06	1.27	1.02	0.64
G	H	J	K	wt	
.028	.065	.190	.030	grams	
0.71	1.65	4.83	0.76	0.15	

TAPE & REEL INFORMATION: F47



top hat
SURFACE MOUNT
RF Transformer

TCM2-33WX+

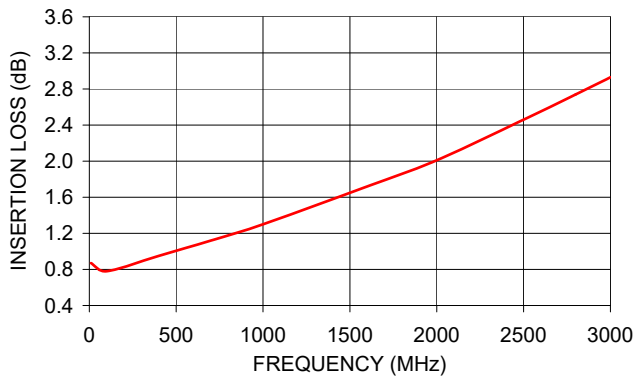
Mini-Circuits

50Ω 10 to 3000 MHz

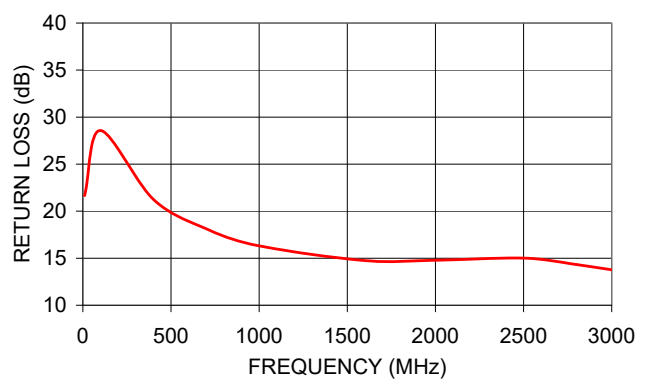
TYPICAL PERFORMANCE DATA

Frequency (MHz)	Insertion Loss (dB)	Return Loss (dB)	Amplitude Unbalance (dB)	Phase Unbalance (deg)
10	0.87	21.66	0.03	0.01
100	0.78	28.58	0.03	0.04
400	0.95	21.26	0.05	0.82
700	1.12	18.13	0.12	0.83
1000	1.30	16.31	0.26	0.62
1600	1.72	14.75	0.74	1.70
2000	2.01	14.79	0.90	2.62
2500	2.46	15.01	0.79	1.26
2800	2.74	14.33	0.64	0.80
3000	2.93	13.77	0.54	1.09

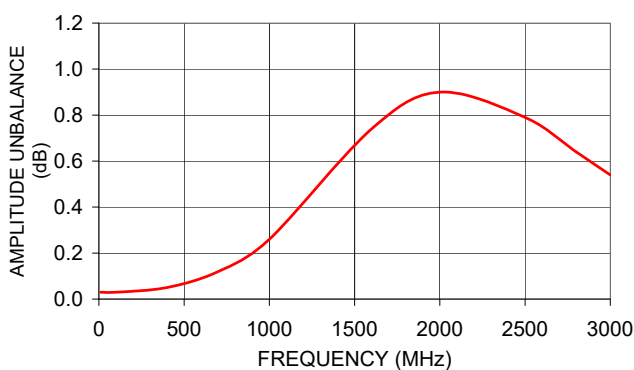
TCM2-33WX+
INSERTION LOSS



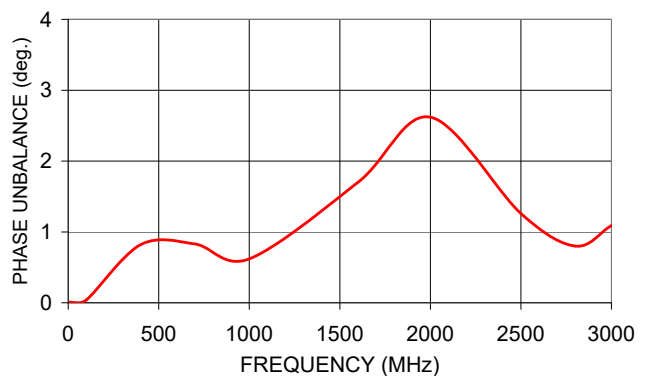
TCM2-33WX+
INPUT RETURN LOSS



TCM2-33WX+
AMPLITUDE UNBALANCE



TCM2-33WX+
PHASE UNBALANCE



- NOTES
- A. Performance and quality attributes and conditions not expressly stated in this specification document are intended to be excluded and do not form a part of this specification document.
 - B. Electrical specifications and performance data contained in this specification document are based on Mini-Circuit's applicable established test performance criteria and measurement instructions.
 - C. The parts covered by this specification document are subject to Mini-Circuits standard limited warranty and terms and conditions (collectively, "Standard Terms"); Purchasers of this part are entitled to the rights and benefits contained therein. For a full statement of the standard. Terms and the exclusive rights and remedies thereunder, please visit Mini-Circuits' website at www.minicircuits.com/terms/viewterm.html



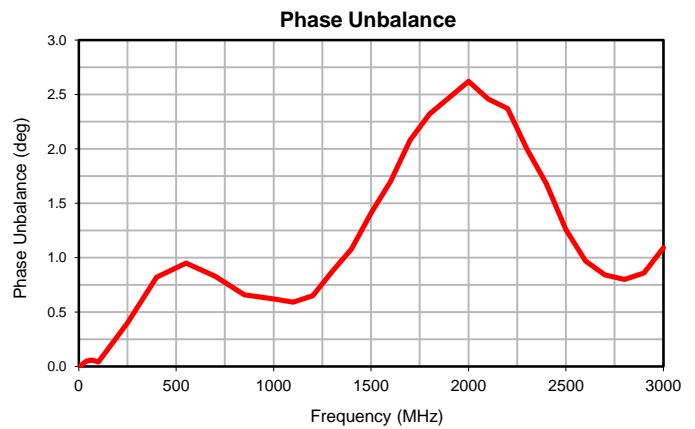
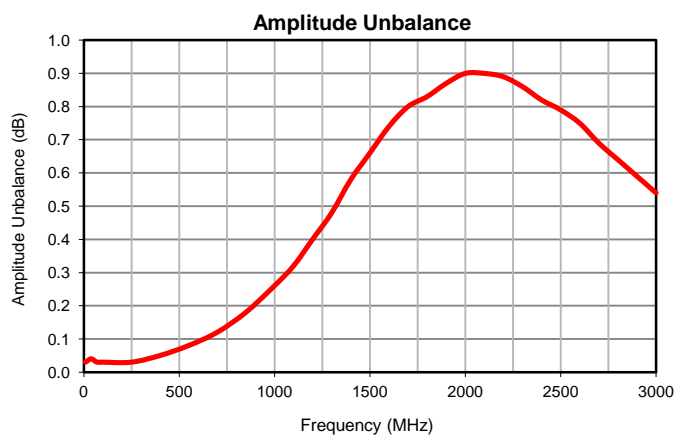
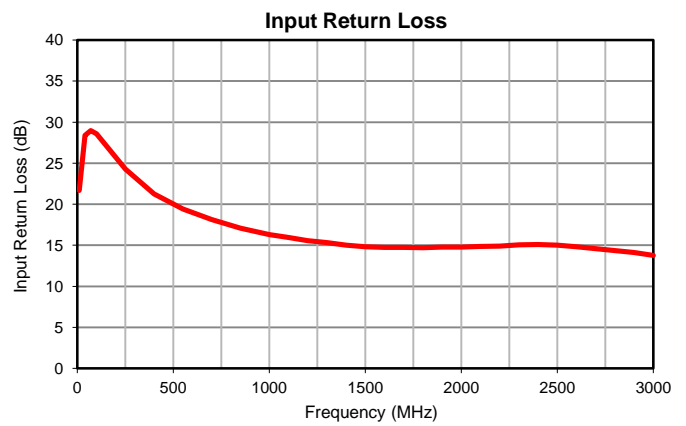
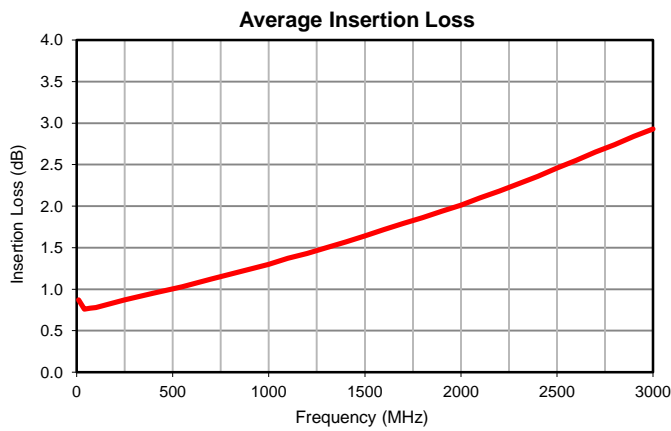
RF Transformer

TCM2-33WX+

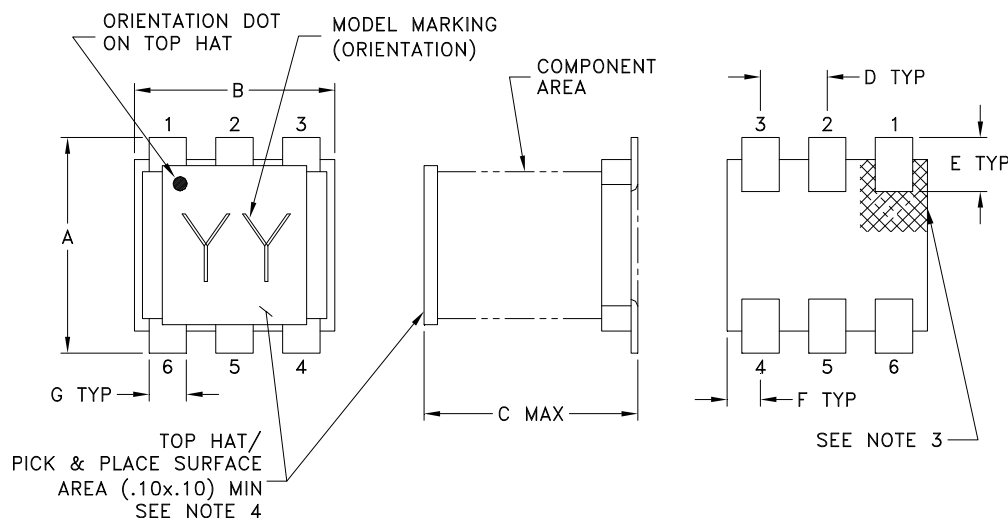
Typical Performance Data

FREQUENCY (MHz)	AVERAGE INSERTION LOSS (dB)	INPUT RETURN LOSS (dB)	AMPLITUDE UNBALANCE (dB)	PHASE UNBALANCE (deg.)
10.0	0.87	21.66	0.03	0.01
40.0	0.76	28.40	0.04	0.05
70.0	0.77	28.95	0.03	0.06
100.0	0.78	28.58	0.03	0.04
250.0	0.87	24.30	0.03	0.40
400.0	0.95	21.26	0.05	0.82
550.0	1.03	19.43	0.08	0.95
700.0	1.12	18.13	0.12	0.83
850.0	1.21	17.08	0.18	0.66
1000.0	1.30	16.31	0.26	0.62
1100.0	1.37	15.93	0.32	0.59
1200.0	1.43	15.57	0.40	0.65
1300.0	1.50	15.32	0.48	0.87
1400.0	1.57	15.00	0.58	1.08
1500.0	1.64	14.83	0.66	1.41
1600.0	1.72	14.75	0.74	1.70
1700.0	1.79	14.73	0.80	2.08
1800.0	1.86	14.71	0.83	2.32
1900.0	1.94	14.76	0.87	2.47
2000.0	2.01	14.79	0.90	2.62
2100.0	2.10	14.87	0.90	2.46
2200.0	2.18	14.90	0.89	2.37
2300.0	2.27	15.03	0.86	2.00
2400.0	2.36	15.07	0.82	1.68
2500.0	2.46	15.01	0.79	1.26
2600.0	2.55	14.82	0.75	0.97
2700.0	2.65	14.59	0.69	0.84
2800.0	2.74	14.33	0.64	0.80
2900.0	2.84	14.10	0.59	0.86
3000.0	2.93	13.77	0.54	1.09

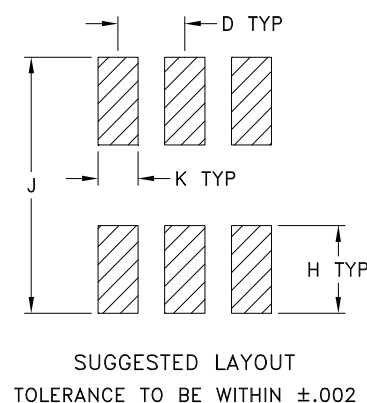
Typical Performance Data



Outline Dimensions



PCB Land Pattern



CASE #	A	B	C	D	E	F	G	H	J	K	WT. GRAM
DB1627	.160 (4.06)	.150 (3.81)	.160 (4.06)	.050 (1.27)	.040 (1.02)	.025 (0.64)	.028 (0.71)	.065 (1.65)	.190 (4.83)	.030 (0.76)	.15

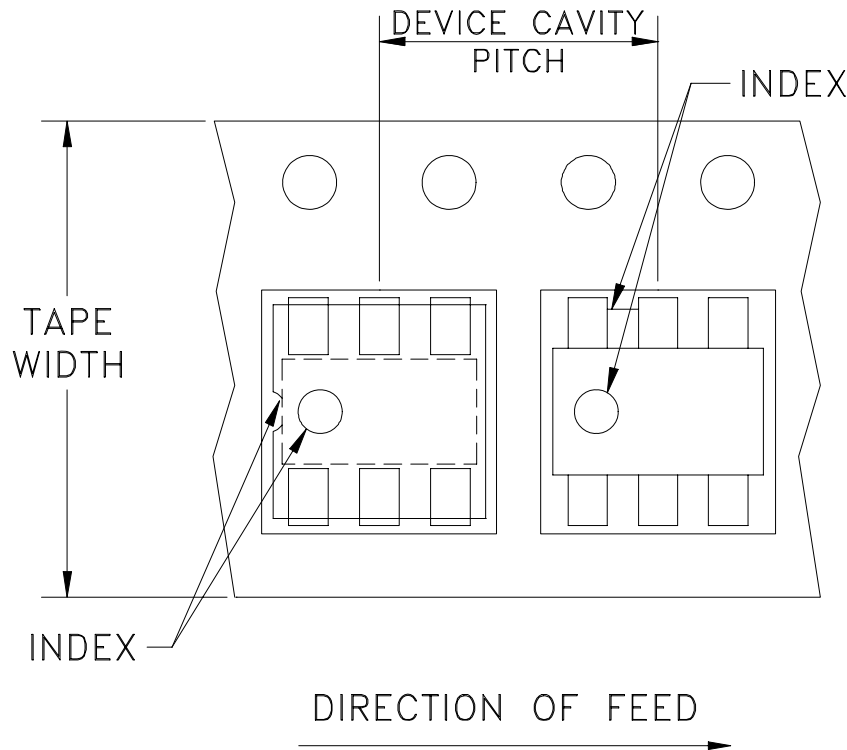
Dimensions are in inches (mm). Tolerances: 2 Pl. $\pm .01$; 3Pl. $\pm .005$

Notes:

- Case material: Plastic.
- Termination finish:
For RoHS Case Styles: Tin plate over Nickel plate. All models, (+) suffix.
For RoHS-5 Case Styles: Tin-Lead plate. All models, no (+) suffix.
- Orientation dot on top hat & orientation feature on substrate correspondence to pin #1.
- Top-Hat total thickness: .013 inches MAX.

Tape & Reel Packaging TR-F47

DEVICE ORIENTATION IN T&R



Tape Width, mm	Device Cavity Pitch, mm	Reel Size, inches	Devices per Reel see note
12	8	13	1000, 2000
		7	20, 50, 100, 200, 500

Note: Please consult individual model data sheet to determine device per reel availability.

Mini-Circuits carrier tape materials provide protection from ESD (Electro-Static Discharge) during handling and transportation. Tapes are static dissipative and comply with industry standards EIA-481/EIA-541.

Go to: www.minicircuits.com/pages/pdfs/tape.pdf

 **Mini-Circuits**[®]

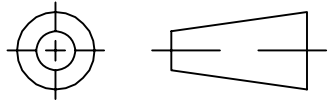
INTERNET <http://www.minicircuits.com>

P.O. Box 350166, Brooklyn, New York 11235-0003 (718) 934-4500 Fax (718) 332-4661

Distribution Centers NORTH AMERICA 800-654-7949 • 417-335-5935 • Fax 417-335-5945 • EUROPE 44-1252-832600 • Fax 44-1252-837010

Mini-Circuits ISO 9001 & ISO 14001 Certified

THIRD ANGLE PROJECTION

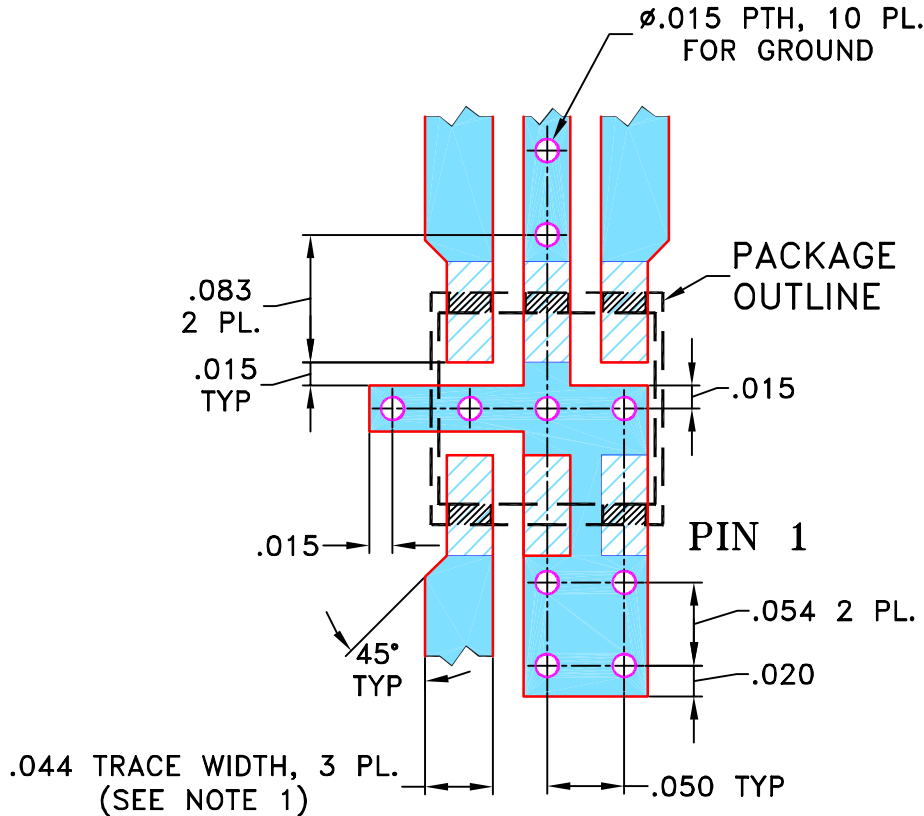


REVISIONS

REV	ECN No.	DESCRIPTION	DATE	DR	AUTH
OR	M136032	NEW RELEASE	03/07/12	GF	DJ
A	M141464	ADDED PIN CODE "06TK04"	05/06/13	IL	DJ

SUGGESTED MOUNTING CONFIGURATION

FOR DB1627 CASE STYLE, "06TN01" & "06TK04" PIN CODES



NOTES: 1. TRACE WIDTH IS SHOWN FOR ROGERS R04350B WITH DIELECTRIC THICKNESS .020" ± .0015"; COPPER: 1/2 OZ. ON EACH SIDE. FOR OTHER MATERIALS TRACE WIDTH MAY NEED TO BE MODIFIED.

2. BOTTOM SIDE OF THE PCB IS CONTINUOUS GROUND PLANE.

- DENOTES PCB COPPER LAYOUT WITH SMOBC (SOLDER MASK OVER BARE COPPER)
- DENOTES COPPER LAND PATTERN FREE OF SOLDER MASK

UNLESS OTHERWISE SPECIFIED

INITIALS DATE

DIMENSIONS ARE IN INCHES
 TOLERANCES ON:
 2 PL DECIMALS ±
 3 PL DECIMALS ± .005
 ANGLES ±
 FRACTIONS ±

DRAWN	GF	02/17/12
CHECKED	IL	03/07/12
APPROVED	DJ	03/07/12



Mini-Circuits®

13 Neptune Avenue
 Brooklyn NY 11235

PL, 06TN01/06TK04, DB1627, TB-654+

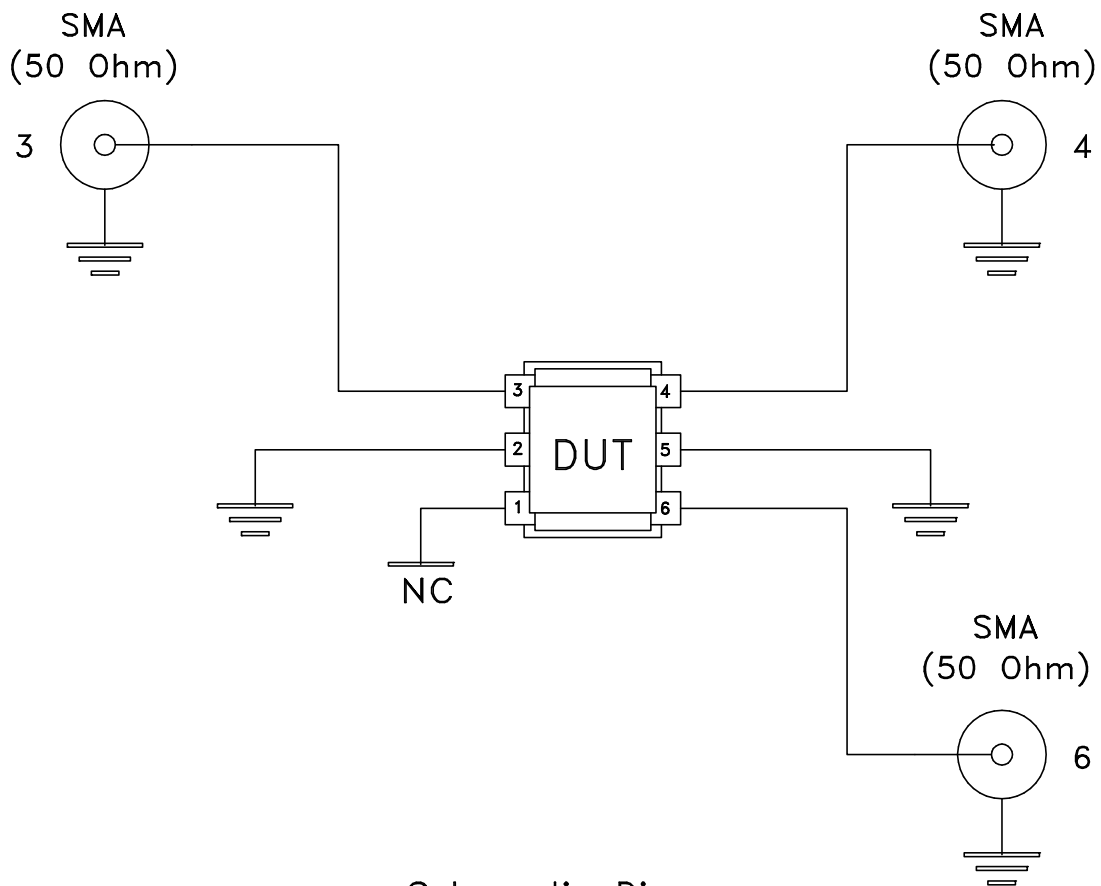
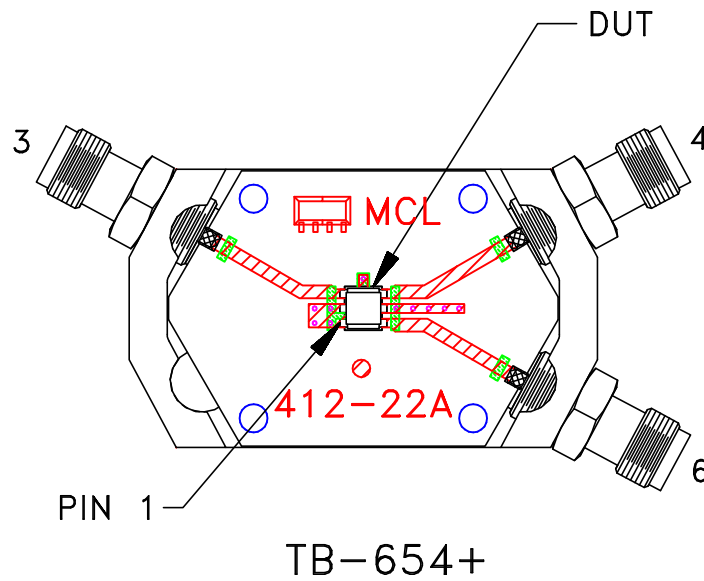
Mini-Circuits®

THIS DOCUMENT AND ITS CONTENTS ARE THE PROPERTY OF MINI-CIRCUITS. EXCEPT FOR USE EXPRESSLY GRANTED, IN WRITING, TO ITS VENDORS, VENDEE AND THE UNITED STATES GOVERNMENT, MINI-CIRCUITS RESERVES ALL PROPRIETARY DESIGN, USE, MANUFACTURING AND REPRODUCTION RIGHTS THERETO. THESE CONTENTS SHALL NOT BE USED, DUPLICATED OR DISCLOSED TO ANY OUTSIDE PARTY, IN WHOLE OR IN PART, WITHOUT WRITTEN PERMISSION OF MINI-CIRCUITS.

SIZE A	CODE IDENT 15542	DRAWING NO: 98-PL-364	REV: A
FILE: 98PL364	SCALE: 8:1	SHEET: 1 OF 1	

Evaluation Board and Circuit


For Pin Connections refer to Data Sheet of the DUT



Schematic Diagram

Notes:

1. 50 Ohm SMA Female connectors.
2. PCB Material: R04350 or equivalent,
Dielectric Constant=3.5, Thickness=.020 inch.

 **Mini-Circuits®**

All Mini-Circuits products are manufactured under exacting quality assurance and control standards, and are capable of meeting published specifications after being subjected to any or all of the following physical and environmental test.

Specification	Test/Inspection Condition	Reference/Spec
Operating Temperature	-40° to 85°C Ambient Environment	Individual Model Data Sheet
Storage Temperature	-55° to 100° C Ambient Environment	Individual Model Data Sheet
Humidity	90 to 95% RH, 240 hours, 50°C	MIL-STD-202, Method 103, Condition A, Except 50°C and end-point electrical test done within 12 hours
Thermal Shock	-55° to 100°C, 100 cycles	MIL-STD-202, Method 107, Condition A-3, except +100°C
Solder Reflow Heat	Sn-Pb Eutetic Process: 225°C peak Pb-Free Process 245° - 250°C peak	J-STD-020, Table 4-1, 4-2 and 5-2, Figure 5-1
Solderability	10X Magnification	J-STD-002, 95% Coverage
Vibration (High Frequency)	20g peak, 10-2000 Hz, 12 times in each of three perpendicular directions (total 36)	MIL-STD-202, Method 204, Condition D
Mechanical Shock	50g, 11 ms, 1/2-sine, 18 shocks: 3 each direction, each of 3 axes	MIL-STD-202, Method 213, Condition A
Marking Resistance to Solvents	Isopropyl alcohol + mineral spirits at 25°C; terpene defluxer at 25°C; distilled water + proylene glycol monomethyl ether + monoethanolamine at 63°C to 70°C	MIL-STD-202, Method 215