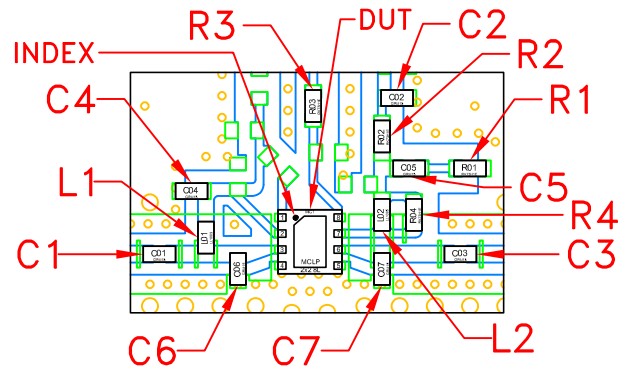
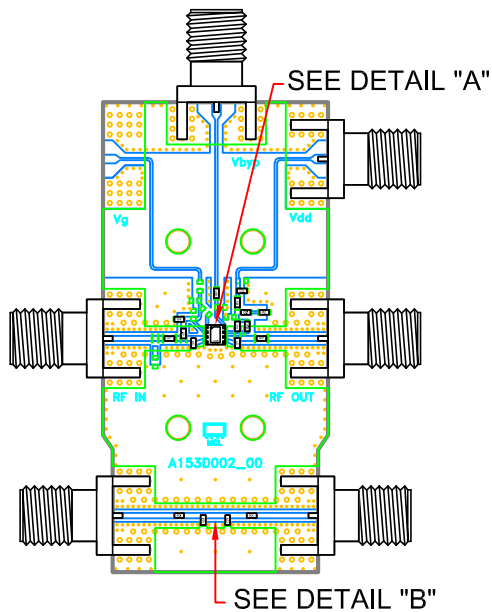
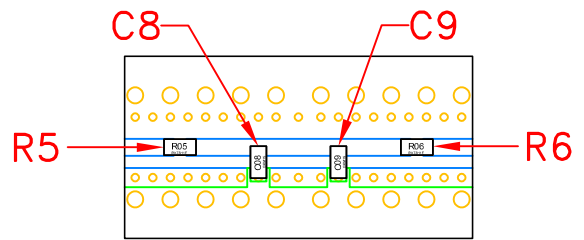
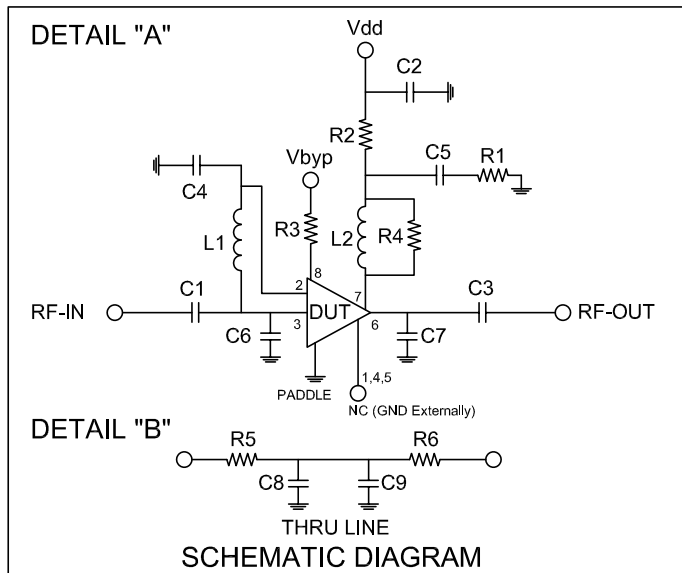


Evaluation Board and Circuit



DETAIL "A"
LOCATION OF INTERCONNECTOR
AND UNITS COMPONENTS
(SCALE 3:1)

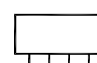


DETAIL "B"
LOCATION OF INTERCONNECTOR
AND UNITS COMPONENTS
(SCALE 3:1)

COMPONENTS	SIZE	VALUE	MANUFACTURER	PART NUMBER
C1,C2	0402	470 nF	Murata	GRM155R71A474KE01J
C3		15 nF		GRM155R71H153KA12D
C4,C5		100 pF		GRM1555C1H101JA01D
C6,C8		0.2 pF		GJM1555C1HR20WB01D
C7,C9		0.3 pF		GJM1555C1HR30WB01D
L1,L2		900 nH		Coilcraft
R1,R2,R3,R5,R6		0 Ω	KOA Speer	RK73Z1ETTP
R4		91 Ω	KOA Speer	RK73H1ETTP91R0F

NOTES:

- 50 Ohm SMA Female Connectors.
- PCB Material: Roger RO4350B or equivalent, Dielectric constant=3.5, Thickness=0.010 inch

 **Mini-Circuits®**