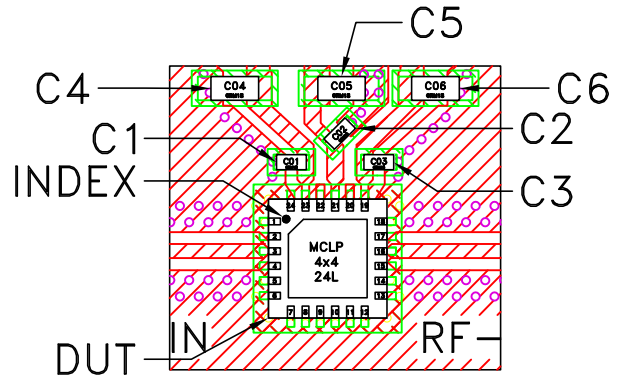
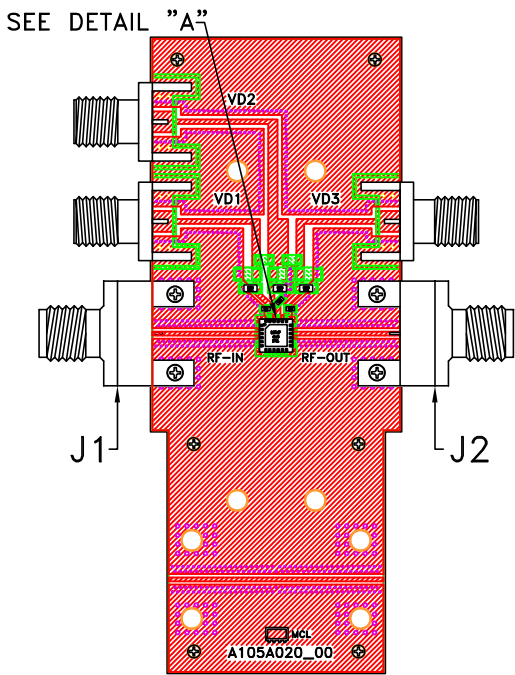
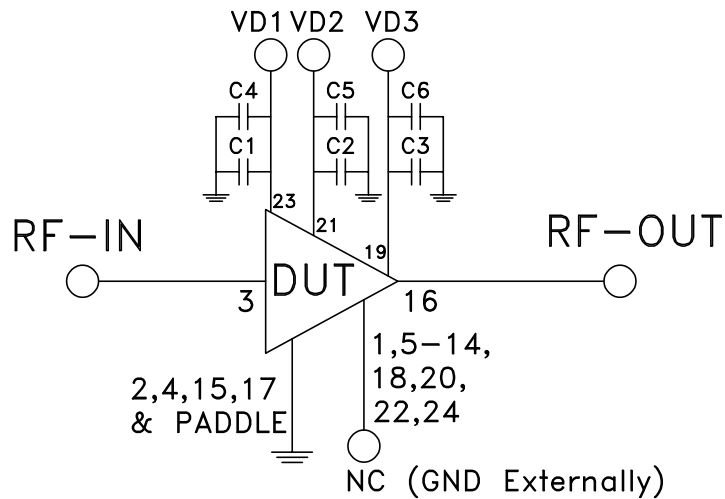


Evaluation Board and Circuit



DETAIL "A"
LOCATION OF
UNITS COMPONENTS
(SCALE 3:1)

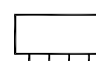


SCHEMATIC DIAGRAM

Component	Size	Value	Part Number	Manufacturer
C1,C2,C3	0402	100pF	GRM1555C1H101JA01D	Murata
C4,C5,C6	0603	0.1uF	GCM188R71E104JA57D	Murata
J1,J2	N/A	N/A	1492-04A-6	Southwest

Notes:

- 2.4mm Female Connectors.
- PCB Material: Roger R04350B or equivalent,
Dielectric constant=3.5, Thickness=0.010 inch

 **Mini-Circuits®**