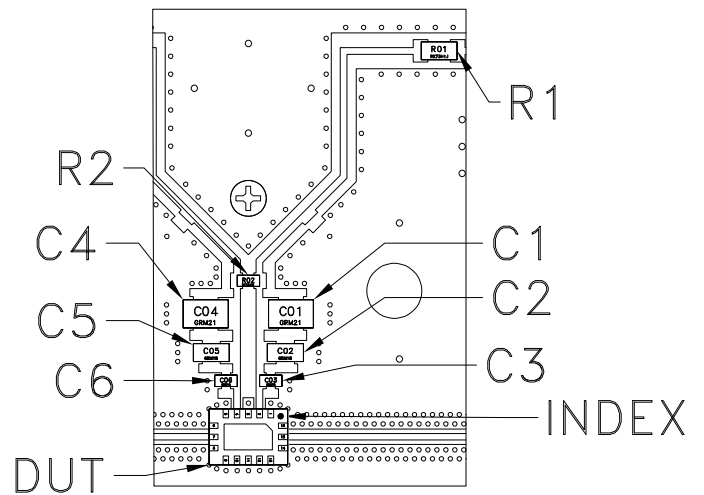
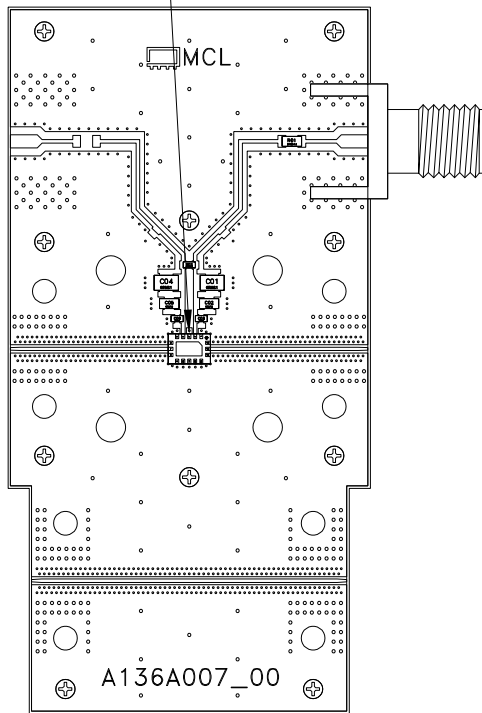
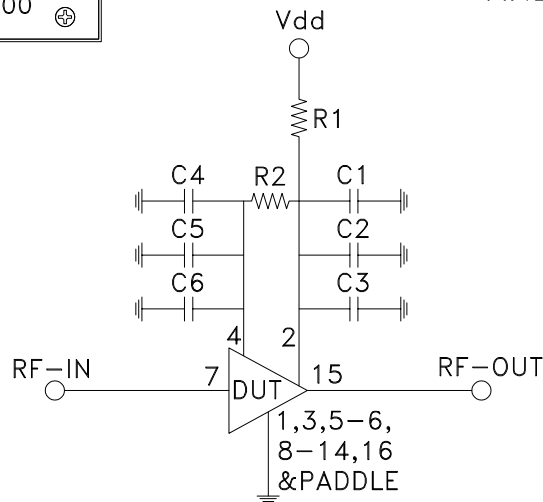


Evaluation Board and Circuit

SEE DETAIL "A"



DETAIL "A"
LOCATION OF INTERCONNECTOR
AND UNITS COMPONENTS
(SCALE 2:1)

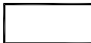


SCHEMATIC DIAGRAM

Component	Size	Value	Part Number	Manufacturer
C1,C4	0805	0.33uF	TAJR334K035RNJ	AVX
C2,C5	0603	1000pF	GCM1885C1H102JA16D	Murata
C3,C6	0402	100pF	GRM1555C1H101JA01D	Murata
R1	0603	10 Ohm	ESR03EZPF10R0	Rohm Semiconductor
R2	0402	180 Ohm	RK73H1ETTP1800F	Koa Speer

Notes:

- 2.92mm Female Connectors.
- PCB Material: Roger RO4350B or equivalent,
Dielectric constant=3.5, Thickness=0.0066 inch

 Mini-Circuits®