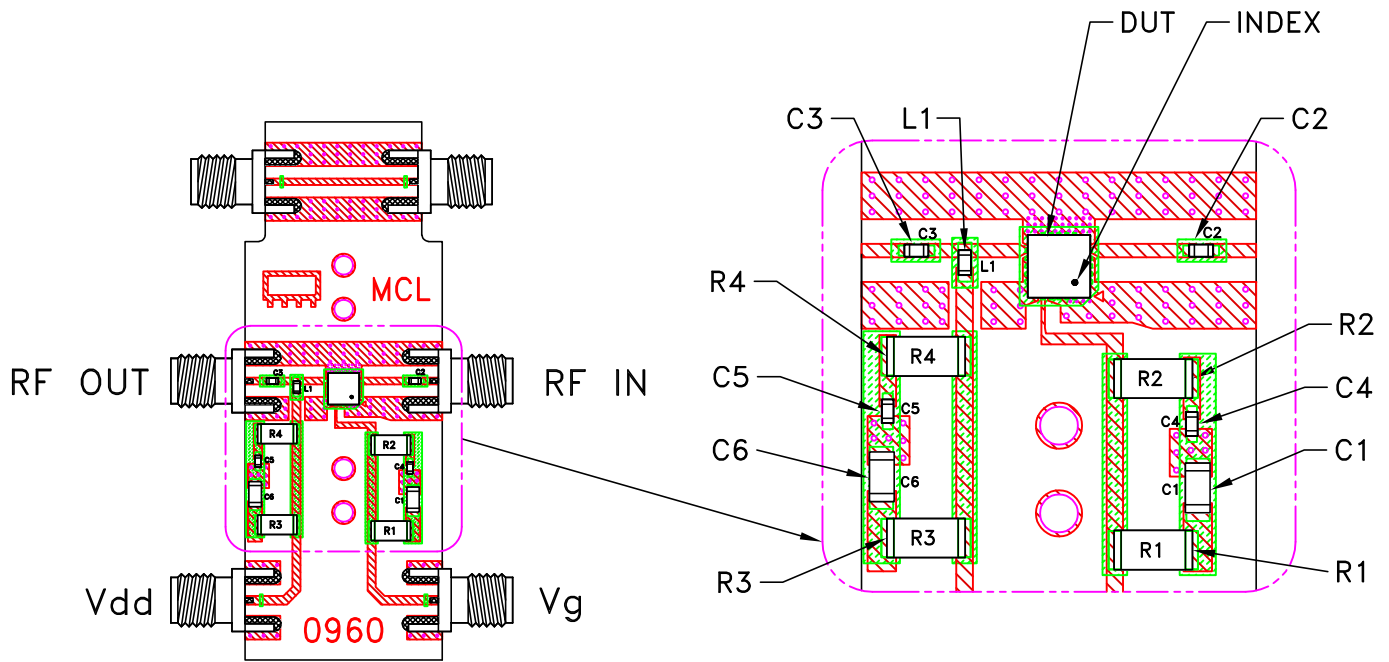
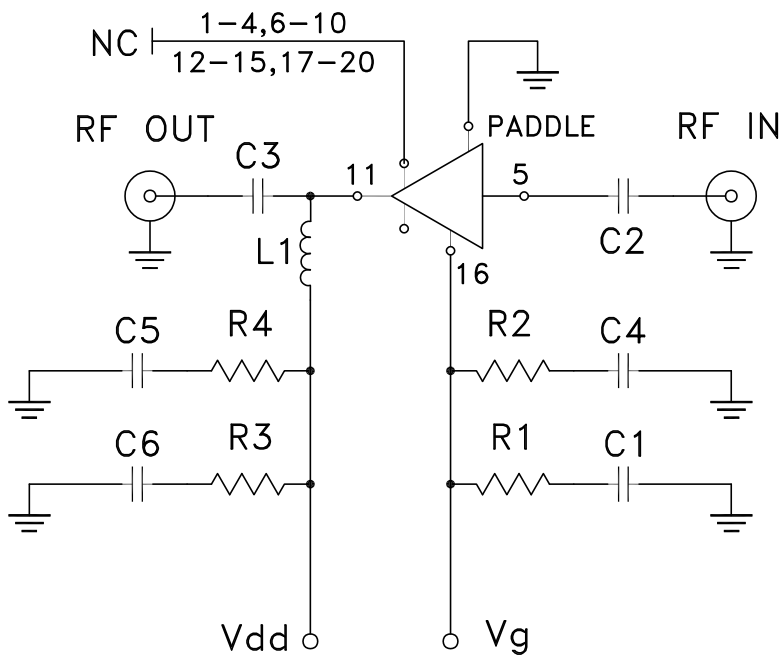


# Evaluation Board and Circuit



TB-GNA-252-5WC+



COMPONENT	VALUE	SIZE
DUT	GNA-252-5W+	4X4 MM
C1,C6	1 uF	1206
C2,C3,C4,C5	0.1 uF	0603
L1	47nH	
R1,R2,R3,R4	10 Ohm	2010

Schematic Diagram

**Notes:**

1. 50 Ohm SMA Female connectors.
2. PCB Material: R04003C or equivalent.  
Dielectric Constant=3.38, Thickness=.016 inch.

