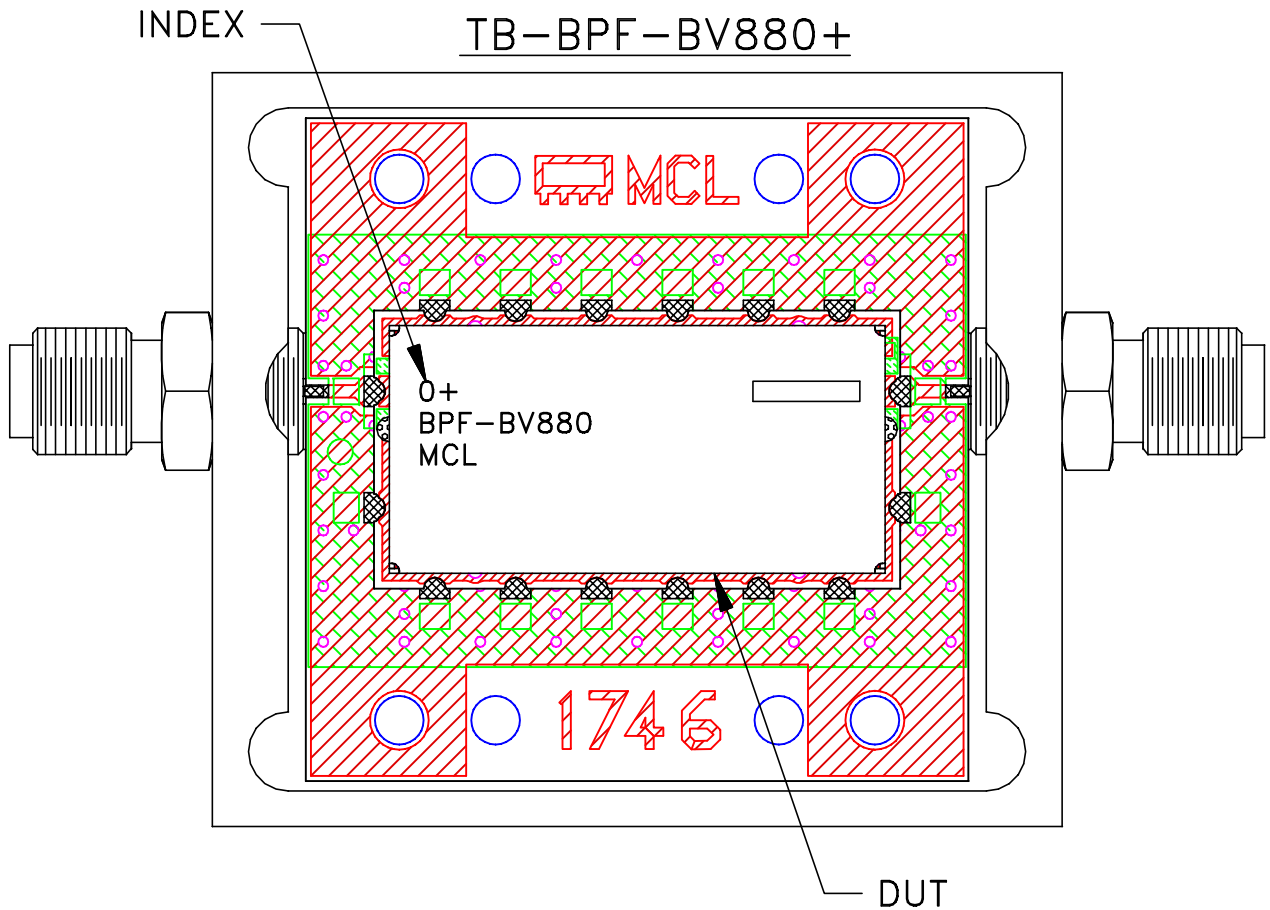
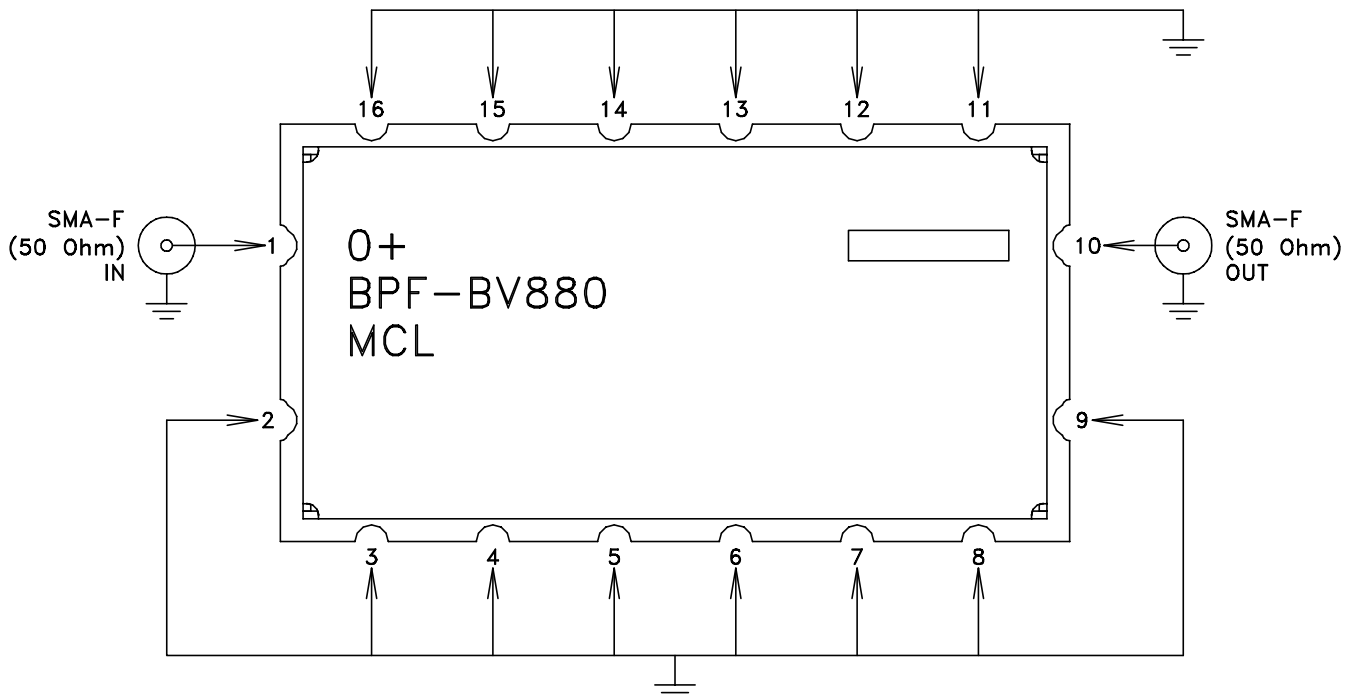


Evaluation Board and Circuit




Schematic diagram



Notes:

1. PCB Material: ROGERS (CLTE-MW) OR Equivalent, Dielectric Constant= 2.98 ± 0.04
Dielectric Thickness: $.010 \pm .001$ inch
2. 50 Ohm SMA Female Connectors.

 **Mini-Circuits®**