



COAXIAL

# Adapter

## SM-BM50+

50Ω DC to 2 GHz SMA-Male to BNC-Male

### FEATURES

- Flat Response
- Excellent VSWR
- Low cost adapters, available from stock
- Brass body, nickel plated



Generic photo used for illustration purposes only

<b>Model No.</b>	SM-BM50+
<b>Case Style</b>	DJ1022
<b>Connectors</b>	SMA-Male to BNC-Male

### +RoHS Compliant

The +Suffix identifies RoHS Compliance. See our website for methodologies and qualifications

### APPLICATIONS

- Interconnection of RF cables and equipment
- Testing

### ELECTRICAL SPECIFICATIONS $T_{AMB}=25^{\circ}C$

Parameter	Frequency (GHz)	Min.	Typ.	Max.	Units
Frequency Range	-	DC		2	GHz
Insertion Loss	DC - 2	-	.05	-	dB
VSWR	DC - 2	-	-	1.20	:1

### ABSOLUTE MAXIMUM RATINGS

Parameter	Ratings
Operating Temperature	-55°C to +100°C
Storage Temperature	-55°C to +100°C

Permanent damage may occur if any of these limits are exceeded.

REV. D  
ECO-016727  
SM-BM50+  
MCL NY  
230202





COAXIAL

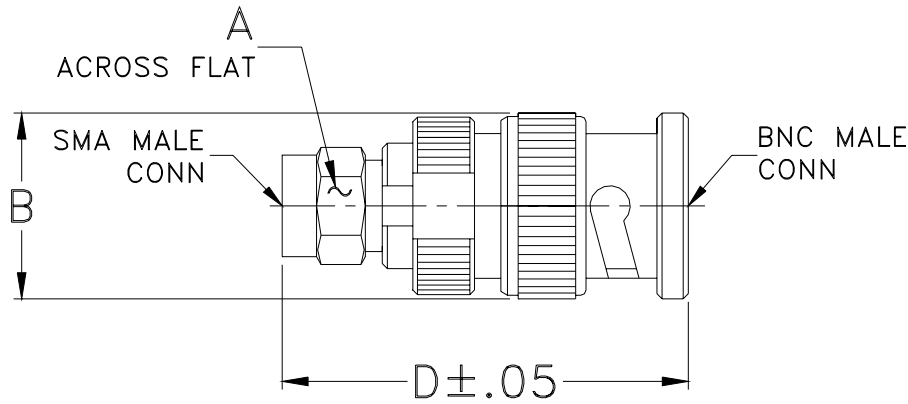
# Adapter

## SM-BM50+

Mini-Circuits

50Ω DC to 2 GHz SMA-Male to BNC-Male

### OUTLINE DRAWING



### OUTLINE DIMENSIONS (Inch/mm)

A	B	C	D	E	wt
.312	.57	--	1.25	--	grams
7.92	14.48	--	31.75	--	15.0



COAXIAL

# Adapter

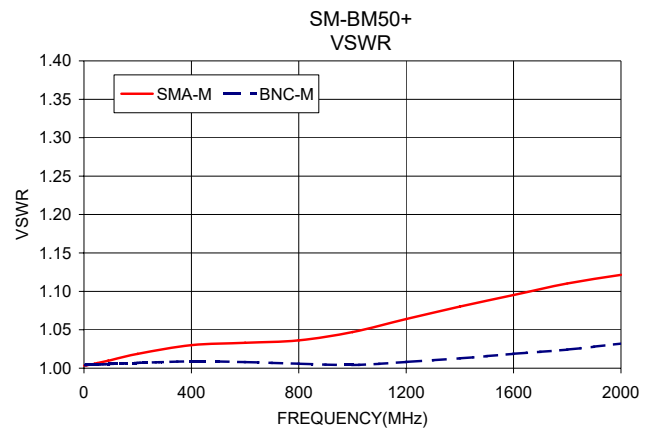
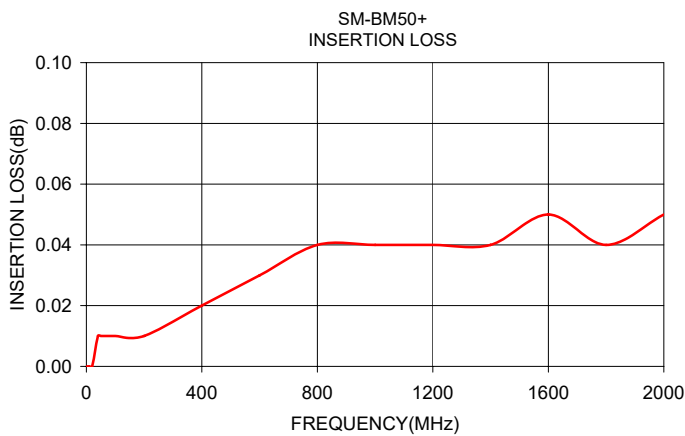
## SM-BM50+

Mini-Circuits

50Ω DC to 2 GHz SMA-Male to BNC-Male

### TYPICAL PERFORMANCE DATA

Frequency (MHz)	Insertion Loss (dB)	VSWR (:1)	
		SMA-Male	BNC-Male
10.00	0.00	1.00	1.00
20.00	0.00	1.00	1.00
40.00	0.01	1.01	1.00
50.00	0.01	1.01	1.00
60.00	0.01	1.01	1.01
70.00	0.01	1.01	1.01
80.00	0.01	1.01	1.01
90.00	0.01	1.01	1.01
100.00	0.01	1.01	1.01
200.00	0.01	1.02	1.01
400.00	0.02	1.03	1.01
600.00	0.03	1.03	1.01
800.00	0.04	1.04	1.01
1000.00	0.04	1.05	1.00
1200.00	0.04	1.06	1.01
1400.00	0.04	1.08	1.01
1600.00	0.05	1.10	1.02
1800.00	0.04	1.11	1.02
2000.00	0.05	1.12	1.03



#### NOTES

- A. Performance and quality attributes and conditions not expressly stated in this specification document are intended to be excluded and do not form a part of this specification document.
- B. Electrical specifications and performance data contained in this specification document are based on Mini-Circuit's applicable established test performance criteria and measurement instructions.
- C. The parts covered by this specification document are subject to Mini-Circuits standard limited warranty and terms and conditions (collectively, "Standard Terms"); Purchasers of this part are entitled to the rights and benefits contained therein. For a full statement of the standard terms and the exclusive rights and remedies thereunder, please visit Mini-Circuits' website at [www.minicircuits.com/terms/viewterm.html](http://www.minicircuits.com/terms/viewterm.html)



# Adapter, SMA-Male to BNC-Male

# SM-BM50+

## Typical Performance Data

FREQUENCY (MHz)	INSERTION LOSS (dB)	SMA-MALE RETURN LOSS (dB)	BNC-MALE RETURN LOSS (dB)
1	0.01	55.76	53.82
10	0.01	54.60	53.25
20	0.01	53.18	52.90
40	0.01	50.74	52.46
50	0.01	49.61	52.34
60	0.01	48.61	52.06
70	0.01	47.75	51.84
80	0.01	46.97	51.61
90	0.01	46.29	51.28
100	0.01	45.65	51.04
200	0.01	40.66	49.14
400	0.02	36.58	47.04
600	0.03	35.79	47.96
800	0.04	35.00	50.70
1000	0.04	32.78	53.60
1200	0.04	30.17	47.75
1400	0.04	28.27	43.82
1600	0.05	26.85	40.61
1800	0.04	25.64	38.40
2000	0.05	24.84	36.00

REV. X1  
SM-BM50+  
061114  
Page 1 of 1



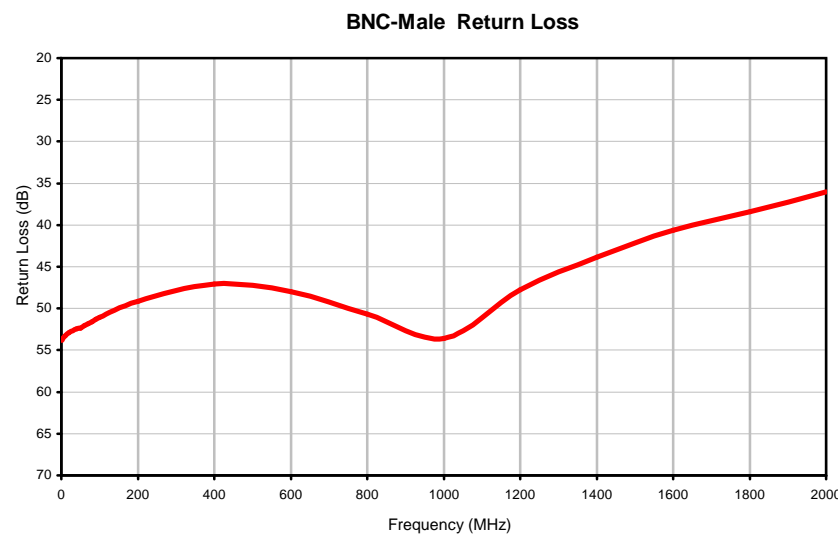
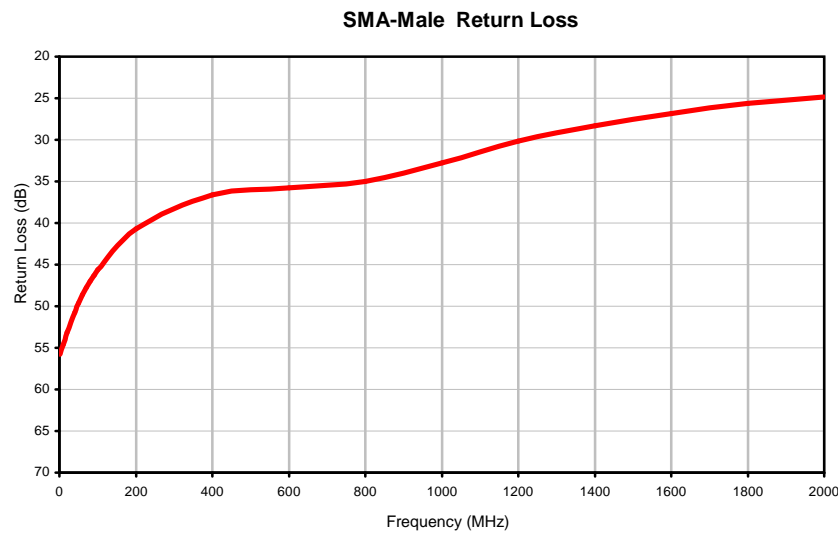
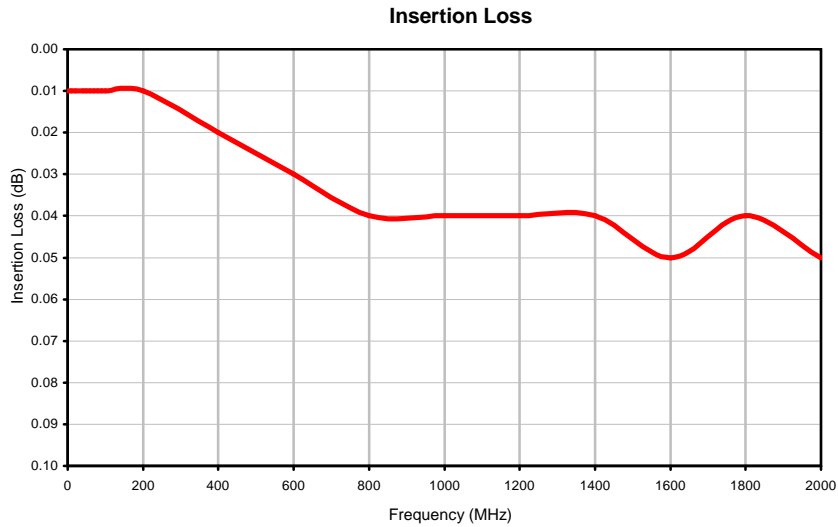
IF/RF MICROWAVE COMPONENTS • ISO 9001 ISO 14001 AS 9100 CERTIFIED RoHS compliant  
P.O. Box 350166, Brooklyn, New York 11235-0003 (718) 934-4500 Fax (718) 332-4661



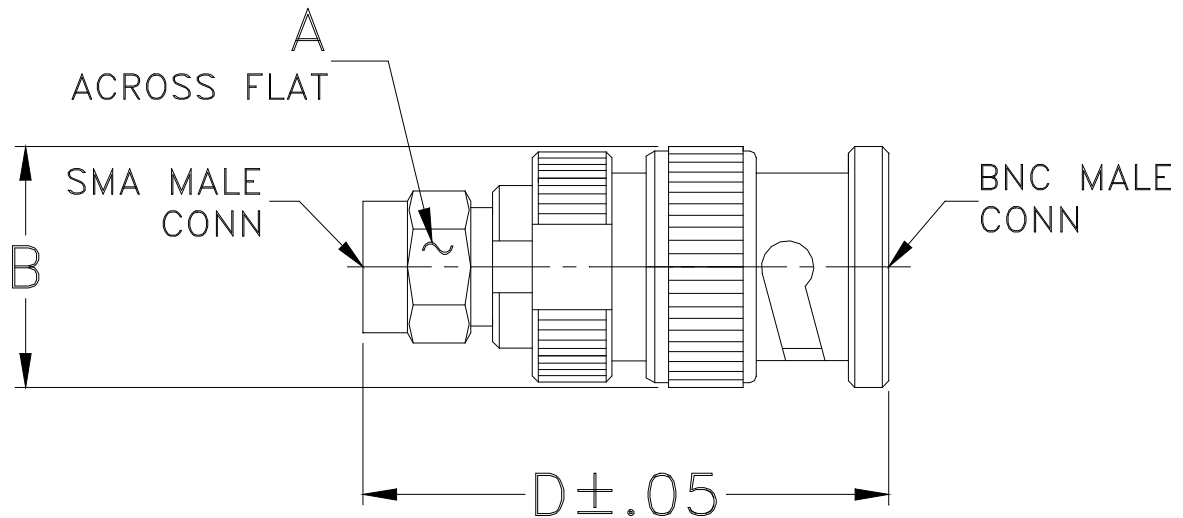
The Design Engineers Search Engine finds the model you need, Instantly • For detailed performance specs & shopping online see



## Typical Performance Curves



### Outline Dimensions



CASE#	A	B	C	D	E	WT. GRAM
DJ1022	.312 (7.92)	.57 (14.48)	-- --	1.25 (31.75)	-- --	15.0

Dimensions are in inches (mm). Tolerances: 2 Pl.  $\pm .03$ ; 3 Pl.  $\pm .015$

#### Notes:

1. Case material: Brass.
2. Finish: Nickel plate.



All Mini-Circuits products are manufactured under exacting quality assurance and control standards, and are capable of meeting published specifications after being subjected to any or all of the following physical and environmental test.

<b>Specification</b>	<b>Test/Inspection Condition</b>	<b>Reference/Spec</b>
Operating Temperature	-55° to 100°C Ambient Environment	Individual Model Data Sheet
Storage Temperature	-55° to 100° C Ambient Environment	Individual Model Data Sheet
Barometric Pressure	100,000 Feet	MIL-STD-202, Method 105, Condition D
Humidity	90% RH, 65°C Units may require bake-out after humidity to restore full performance.	MIL-STD-202, Method 103
Thermal Shock	-65° to 125°C, 5 cycles	MIL-STD-202, Method 107, Condition B
Vibration (High Frequency)	20g peak, 10-2000 Hz, 12 times in each of three perpendicular directions (total 36)	MIL-STD-202, Method 204, Condition D
Mechanical Shock	100g, 6ms sawtooth, 3 shocks each direction 3 axes (total 18)	MIL-STD-202, Method 213, Condition I