

top hat[®]
Surface Mount
Power Splitter/Combiner

SBTC-2-10-75LX+

2 Way-0° 75Ω 10 to 1000 MHz

Features

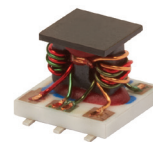
- low insertion loss, 0.8 dB typ.
- excellent amplitude unbalance, 0.15 dB typ.
- very good phase unbalance, 1.0 deg. typ.
- small size, 0.166"x0.150"x0.155"
- temperature stable LTCC base
- small size
- low cost
- aqueous washable
- protected by US patent 6,963,255

Applications

- UHF/VHF receivers/transmitters
- cellular

Electrical Specifications

Parameter	Frequency (MHz)	Min.	Typ.	Max.	Unit
Frequency Range		10		1000	MHz
Insertion Loss Above 3.0 dB	10 - 100	—	0.7	1.2	dB
	100 - 500	—	0.6	1.2	
	500 - 1000	—	0.7	1.4	
Isolation	10 - 100	20	35	—	dB
	100 - 500	20	28	—	
	500 - 1000	17	21	—	
Phase Unbalance	10 - 100	—	—	3	Degree
	100 - 500	—	—	3	
	500 - 1000	—	—	5	
Amplitude Unbalance	10 - 100	—	—	0.7	dB
	100 - 500	—	—	0.6	
	500 - 1000	—	—	0.6	



Generic photo used for illustration purposes only

CASE STYLE: AT1739

+RoHS Compliant

The +Suffix identifies RoHS Compliance. See our web site for RoHS Compliance methodologies and qualifications

Available Tape and Reel at no extra cost

Reel Size	Devices/Reel
7"	20, 50, 100, 200, 500
13"	1000, 2000

Maximum Ratings

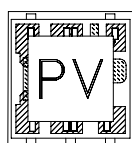
Parameter	Ratings
Operating Temperature	-40°C to 85°C
Storage Temperature	-55°C to 100°C
Power Input (as a splitter)	0.5W max.
Internal Dissipation	0.125W max

Permanent damage may occur if any of these limits are exceeded.

Pin Connections

Function	Pin Number
SUM PORT	6
PORT 1	3
PORT 2	4
GROUND	1,2
NOT USED	5

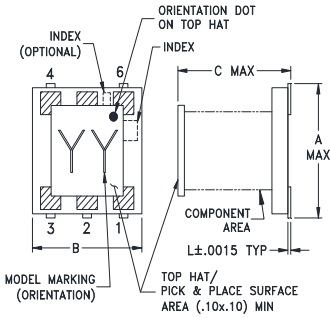
Product Marking



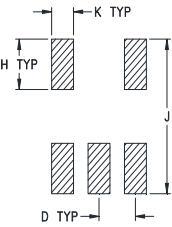
Electrical Schematic



Outline Drawing



PCB Land Pattern

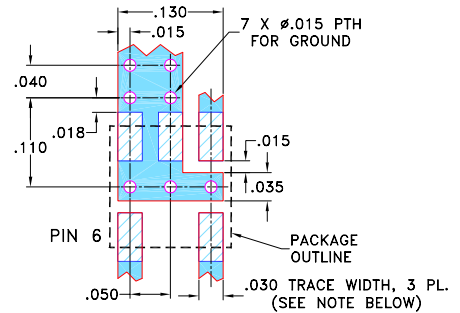


Suggested Layout,
Tolerance to be within ±.002

Outline Dimensions (inch mm)

A	B	C	D	E	F
.166	.150	.155	.050	.037	.025
4.22	3.81	3.94	1.27	0.94	0.64
G	H	J	K	K	wt
.012	.060	.184	.030	.004	grams
0.30	1.52	4.67	0.76	0.10	0.10

Demo Board MCL P/N: TB-277 Suggested PCB Layout (PL-153)

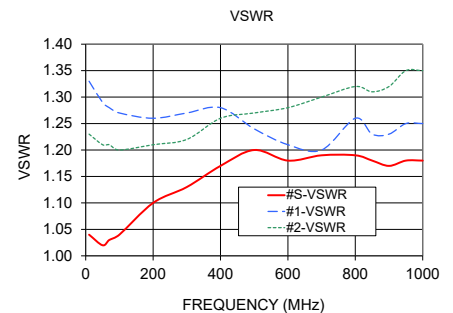
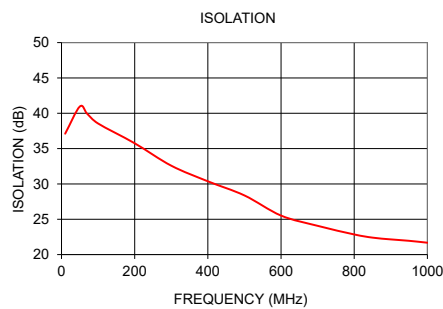
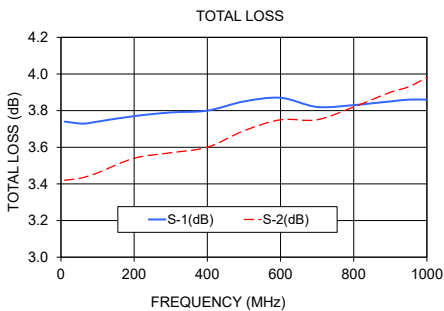


- NOTE: 1. TRACE WIDTH IS SHOWN FOR ROGERS RO4350B WITH DIELECTRIC THICKNESS 0.030 ± 0.002 "; COPPER: 1/2 OZ. EACH SIDE. FOR OTHER MATERIALS TRACE WIDTH MAY NEED TO BE MODIFIED.
2. BOTTOM SIDE OF THE PCB IS CONTINUOUS GROUND PLANE.
- DENOTES PCB COPPER LAYOUT WITH SMOBC (SOLDER MASK OVER BARE COPPER)
- DENOTES COPPER LAND PATTERN FREE OF SOLDER MASK

Typical Performance Data

Frequency (MHz)	Total Loss ¹ (dB)		Amplitude Unbalance (dB)	Isolation (dB)	Phase Unbalance (deg.)	VSWR S	VSWR 1	VSWR 2
	S-1	S-2						
10.00	3.74	3.42	0.31	37.11	0.66	1.04	1.33	1.23
50.00	3.73	3.43	0.30	40.95	0.14	1.02	1.29	1.21
70.00	3.73	3.44	0.29	39.94	0.14	1.03	1.28	1.21
100.00	3.74	3.46	0.29	38.55	0.13	1.04	1.27	1.20
200.00	3.77	3.54	0.22	35.75	0.09	1.10	1.26	1.21
300.00	3.79	3.57	0.22	32.58	0.54	1.13	1.27	1.22
400.00	3.80	3.60	0.20	30.37	0.60	1.17	1.28	1.26
500.00	3.85	3.69	0.16	28.37	0.64	1.20	1.24	1.27
600.00	3.87	3.75	0.12	25.52	0.74	1.18	1.21	1.28
700.00	3.82	3.75	0.07	24.07	0.75	1.19	1.20	1.30
800.00	3.83	3.82	0.03	22.85	0.77	1.19	1.26	1.32
850.00	3.84	3.86	0.03	22.40	0.73	1.18	1.23	1.31
900.00	3.85	3.90	0.06	22.15	0.69	1.17	1.23	1.32
950.00	3.86	3.93	0.08	21.95	0.64	1.18	1.25	1.35
1000.00	3.86	3.98	0.11	21.68	0.58	1.18	1.25	1.35

1. Total Loss = Insertion Loss + 3dB splitter loss.



Additional Notes

- A. Performance and quality attributes and conditions not expressly stated in this specification document are intended to be excluded and do not form a part of this specification document.
- B. Electrical specifications and performance data contained in this specification document are based on Mini-Circuit's applicable established test performance criteria and measurement instructions.
- C. The parts covered by this specification document are subject to Mini-Circuits standard limited warranty and terms and conditions (collectively, "Standard Terms"); Purchasers of this part are entitled to the rights and benefits contained therein. For a full statement of the Standard Terms and the exclusive rights and remedies thereunder, please visit Mini-Circuits' website at www.minicircuits.com/MCLStore/terms.jsp

2 Way-0° Power Splitter/Combiner SBTC-2-10-75LX+

Typical Performance Data

TEST CONDITIONS: INPUT POWER =0 dBm @Temperature = +25°C

FREQUENCY (MHz)	TOTAL LOSS ¹ (dB)		AMPLITUDE UNBALANCE (dB)	ISOLATION (dB)	PHASE UNBALANCE (Deg)	FREQUENCY (MHz)	VSWR (:1)		
	S-1	S-2					S	1	2
10.0	3.74	3.43	0.31	38.17	0.40	10.0	1.04	1.33	1.25
20.0	3.74	3.43	0.31	40.42	0.14	20.0	1.01	1.32	1.24
30.0	3.75	3.44	0.31	40.25	0.07	30.0	1.01	1.32	1.24
40.0	3.75	3.44	0.31	39.82	0.04	40.0	1.01	1.31	1.24
50.0	3.76	3.45	0.31	39.20	0.01	50.0	1.02	1.31	1.24
60.0	3.76	3.45	0.31	38.60	0.00	60.0	1.02	1.31	1.24
70.0	3.77	3.46	0.31	38.09	0.04	70.0	1.03	1.31	1.24
80.0	3.77	3.46	0.31	37.71	0.10	80.0	1.04	1.31	1.24
90.0	3.78	3.47	0.31	37.33	0.06	90.0	1.05	1.31	1.24
100.0	3.78	3.47	0.31	36.86	0.09	100.0	1.05	1.31	1.24
150.0	3.80	3.49	0.31	35.41	0.16	150.0	1.08	1.30	1.22
200.0	3.81	3.51	0.30	34.69	0.23	200.0	1.11	1.28	1.23
250.0	3.82	3.52	0.30	33.78	0.33	250.0	1.14	1.27	1.25
300.0	3.83	3.54	0.29	31.91	0.42	300.0	1.16	1.26	1.25
350.0	3.83	3.57	0.26	30.17	0.52	350.0	1.18	1.25	1.23
400.0	3.84	3.59	0.25	29.14	0.62	400.0	1.19	1.24	1.24
450.0	3.86	3.61	0.25	28.73	0.69	450.0	1.20	1.23	1.26
475.0	3.89	3.62	0.27	28.37	0.76	475.0	1.20	1.23	1.27
500.0	3.88	3.64	0.24	28.42	0.77	500.0	1.21	1.22	1.27
550.0	3.90	3.66	0.24	27.43	0.84	550.0	1.21	1.22	1.25
600.0	3.93	3.70	0.23	26.12	0.91	600.0	1.22	1.22	1.25
650.0	3.96	3.73	0.23	25.28	1.01	650.0	1.22	1.21	1.26
700.0	3.99	3.75	0.24	24.90	1.12	700.0	1.21	1.22	1.28
750.0	4.02	3.77	0.25	24.43	1.27	750.0	1.20	1.22	1.27
800.0	4.04	3.81	0.23	23.64	1.42	800.0	1.17	1.22	1.25
850.0	4.05	3.83	0.22	22.66	1.50	850.0	1.16	1.23	1.25
900.0	4.08	3.87	0.21	21.80	1.55	900.0	1.14	1.24	1.26
925.0	4.11	3.88	0.23	21.56	1.37	925.0	1.13	1.25	1.26
950.0	4.11	3.90	0.21	21.36	1.53	950.0	1.12	1.26	1.26
975.0	4.14	3.91	0.23	21.01	1.44	975.0	1.10	1.26	1.25
1000.0	4.14	3.93	0.21	20.93	1.51	1000.0	1.09	1.27	1.24
1025.0	4.17	3.94	0.23	20.67	1.49	1025.0	1.08	1.28	1.24
1050.0	4.17	3.96	0.21	20.27	1.40	1050.0	1.07	1.29	1.24
1075.0	4.19	3.97	0.22	20.21	1.42	1075.0	1.06	1.30	1.24
1100.0	4.20	4.00	0.20	19.64	1.36	1100.0	1.05	1.30	1.24
1200.0	4.25	4.07	0.18	19.05	1.17	1200.0	1.00	1.34	1.26
1300.0	4.31	4.16	0.16	19.18	1.02	1300.0	1.02	1.38	1.29
1400.0	4.37	4.23	0.14	19.44	1.15	1400.0	1.04	1.42	1.32
1500.0	4.41	4.32	0.08	20.37	1.37	1500.0	1.04	1.46	1.34
1600.0	4.49	4.47	0.02	22.35	1.65	1600.0	1.06	1.50	1.36
1700.0	4.68	4.68	0.00	24.09	1.87	1700.0	1.07	1.55	1.39
1800.0	4.99	4.95	0.04	23.16	1.95	1800.0	1.09	1.61	1.44
1900.0	5.27	5.12	0.15	21.07	1.44	1900.0	1.11	1.68	1.52
2000.0	5.47	5.13	0.34	19.25	1.42	2000.0	1.15	1.77	1.63
2100.0	5.42	5.10	0.33	18.21	1.14	2100.0	1.19	1.87	1.77
2200.0	5.32	4.95	0.37	17.84	0.90	2200.0	1.20	1.95	1.87
2300.0	5.31	4.90	0.42	17.92	1.42	2300.0	1.19	2.01	1.94
2400.0	5.33	5.09	0.25	17.27	1.29	2400.0	1.16	2.04	1.93
2500.0	5.72	5.67	0.06	15.76	0.76	2500.0	1.16	2.07	1.92
2600.0	6.26	6.20	0.06	14.03	0.39	2600.0	1.17	2.09	1.84
2700.0	7.25	6.85	0.40	12.30	2.05	2700.0	1.19	2.09	1.76
2800.0	8.14	7.49	0.65	11.31	5.41	2800.0	1.23	2.08	1.68
2900.0	8.80	7.68	1.12	10.84	5.96	2900.0	1.25	2.09	1.65
3000.0	9.09	7.36	1.73	10.47	5.76	3000.0	1.28	2.08	1.64

¹Total Loss = Insertion Loss + 3dB Splitter Loss



2 Way-0° Power Splitter/Combiner SBTC-2-10-75LX+

Typical Performance Data

TEST CONDITIONS: INPUT POWER =0 dBm @Temperature = -40°C

FREQUENCY (MHz)	TOTAL LOSS ¹ (dB)		AMPLITUDE UNBALANCE (dB)	ISOLATION (dB)	PHASE UNBALANCE (Deg)	FREQUENCY (MHz)	VSWR (:1)		
	S-1	S-2					S	1	2
10.0	3.59	3.36	0.23	32.58	1.51	10.0	1.08	1.33	1.24
20.0	3.53	3.33	0.20	39.16	0.73	20.0	1.05	1.26	1.20
30.0	3.52	3.32	0.20	44.50	0.45	30.0	1.05	1.24	1.18
40.0	3.52	3.33	0.19	50.02	0.33	40.0	1.05	1.23	1.17
50.0	3.53	3.33	0.20	54.11	0.24	50.0	1.06	1.23	1.16
60.0	3.53	3.33	0.20	52.55	0.23	60.0	1.07	1.22	1.16
70.0	3.53	3.33	0.20	48.97	0.19	70.0	1.07	1.22	1.15
80.0	3.53	3.33	0.20	46.41	0.13	80.0	1.07	1.22	1.16
90.0	3.54	3.34	0.20	44.29	0.17	90.0	1.06	1.21	1.16
100.0	3.54	3.34	0.20	42.54	0.12	100.0	1.06	1.21	1.16
150.0	3.56	3.36	0.20	38.32	0.09	150.0	1.08	1.20	1.18
200.0	3.57	3.36	0.21	36.49	0.09	200.0	1.10	1.20	1.17
250.0	3.58	3.38	0.20	35.13	0.07	250.0	1.11	1.21	1.21
300.0	3.59	3.39	0.20	33.05	0.08	300.0	1.14	1.22	1.22
350.0	3.60	3.41	0.19	30.81	0.09	350.0	1.16	1.24	1.21
400.0	3.61	3.43	0.18	29.35	0.11	400.0	1.17	1.25	1.23
450.0	3.63	3.44	0.19	28.71	0.17	450.0	1.20	1.25	1.27
475.0	3.65	3.45	0.20	28.30	0.15	475.0	1.21	1.26	1.28
500.0	3.64	3.46	0.18	28.43	0.22	500.0	1.21	1.26	1.29
550.0	3.66	3.48	0.18	27.50	0.29	550.0	1.24	1.26	1.28
600.0	3.68	3.50	0.18	26.04	0.35	600.0	1.24	1.27	1.27
650.0	3.70	3.52	0.18	24.95	0.38	650.0	1.25	1.27	1.30
700.0	3.74	3.54	0.20	24.30	0.37	700.0	1.25	1.27	1.31
750.0	3.75	3.55	0.20	23.71	0.34	750.0	1.22	1.28	1.30
800.0	3.76	3.58	0.18	22.91	0.30	800.0	1.19	1.28	1.28
850.0	3.77	3.60	0.17	21.80	0.32	850.0	1.15	1.28	1.27
900.0	3.79	3.63	0.16	20.82	0.43	900.0	1.12	1.28	1.27
925.0	3.82	3.63	0.19	20.57	0.68	925.0	1.11	1.28	1.26
950.0	3.81	3.65	0.16	20.29	0.57	950.0	1.09	1.28	1.25
975.0	3.84	3.65	0.19	19.91	0.73	975.0	1.07	1.28	1.24
1000.0	3.84	3.67	0.17	19.82	0.76	1000.0	1.05	1.28	1.22
1025.0	3.87	3.68	0.19	19.58	0.81	1025.0	1.03	1.28	1.21
1050.0	3.87	3.69	0.18	19.21	0.98	1050.0	1.02	1.28	1.20
1075.0	3.89	3.70	0.19	19.14	0.98	1075.0	1.02	1.29	1.19
1100.0	3.90	3.72	0.18	18.60	1.13	1100.0	1.03	1.29	1.19
1200.0	3.95	3.79	0.16	18.04	1.58	1200.0	1.09	1.31	1.18
1300.0	4.01	3.86	0.15	18.26	2.05	1300.0	1.1	1.33	1.21
1400.0	4.05	3.92	0.13	18.67	2.31	1400.0	1.09	1.38	1.28
1500.0	4.06	3.99	0.07	19.81	2.45	1500.0	1.06	1.47	1.39
1600.0	4.13	4.12	0.01	22.10	2.45	1600.0	1.02	1.58	1.52
1700.0	4.31	4.33	0.02	24.23	2.42	1700.0	1.02	1.69	1.64
1800.0	4.65	4.66	0.01	22.90	2.63	1800.0	1.02	1.79	1.71
1900.0	4.92	4.78	0.14	20.52	3.48	1900.0	1.04	1.84	1.73
2000.0	5.09	4.75	0.35	18.74	3.63	2000.0	1.06	1.87	1.69
2100.0	5.00	4.65	0.35	17.87	4.37	2100.0	1.14	1.88	1.64
2200.0	4.89	4.46	0.43	17.83	6.68	2200.0	1.24	1.91	1.59
2300.0	4.89	4.46	0.43	18.20	7.81	2300.0	1.3	1.94	1.63
2400.0	4.88	4.61	0.28	17.35	8.29	2400.0	1.36	1.99	1.75
2500.0	5.27	5.21	0.06	15.03	7.63	2500.0	1.37	2.1	1.99
2600.0	5.87	5.92	0.05	12.92	7.90	2600.0	1.39	2.25	2.26
2700.0	6.99	6.66	0.33	11.17	5.86	2700.0	1.3	2.33	2.48
2800.0	7.93	7.38	0.55	10.21	2.37	2800.0	1.17	2.37	2.5
2900.0	8.43	7.51	0.92	9.87	2.21	2900.0	1.05	2.34	2.35
3000.0	8.56	6.98	1.58	9.60	2.82	3000.0	1.23	2.25	2.16

¹Total Loss = Insertion Loss + 3dB Splitter Loss



2 Way-0° Power Splitter/Combiner SBTC-2-10-75LX+

Typical Performance Data

TEST CONDITIONS: INPUT POWER =0 dBm @Temperature = +85°C

FREQUENCY (MHz)	TOTAL LOSS ¹ (dB)		AMPLITUDE UNBALANCE (dB)	ISOLATION (dB)	PHASE UNBALANCE (Deg)	FREQUENCY (MHz)	VSWR (:1)		
	S-1	S-2					S	1	2
10.0	3.86	3.51	0.35	35.73	0.40	10.0	1.05	1.38	1.28
20.0	3.86	3.50	0.36	36.56	0.16	20.0	1.04	1.36	1.27
30.0	3.88	3.52	0.36	36.31	0.10	30.0	1.04	1.36	1.28
40.0	3.88	3.53	0.35	35.98	0.07	40.0	1.04	1.36	1.29
50.0	3.88	3.53	0.35	35.59	0.02	50.0	1.05	1.36	1.30
60.0	3.89	3.54	0.35	35.31	0.05	60.0	1.06	1.36	1.30
70.0	3.89	3.54	0.35	35.03	0.01	70.0	1.06	1.36	1.30
80.0	3.90	3.54	0.36	34.82	0.06	80.0	1.07	1.36	1.30
90.0	3.91	3.55	0.36	34.71	0.01	90.0	1.08	1.36	1.30
100.0	3.91	3.56	0.35	34.51	0.06	100.0	1.08	1.35	1.29
150.0	3.92	3.58	0.34	33.74	0.10	150.0	1.09	1.34	1.25
200.0	3.92	3.59	0.33	33.30	0.18	200.0	1.11	1.32	1.26
250.0	3.93	3.62	0.31	32.61	0.29	250.0	1.15	1.30	1.27
300.0	3.94	3.64	0.30	30.96	0.41	300.0	1.17	1.27	1.25
350.0	3.95	3.66	0.29	29.46	0.52	350.0	1.17	1.25	1.24
400.0	3.96	3.69	0.27	28.68	0.64	400.0	1.19	1.24	1.25
450.0	3.98	3.72	0.26	28.39	0.73	450.0	1.19	1.22	1.26
475.0	4.01	3.72	0.29	28.05	0.78	475.0	1.19	1.22	1.26
500.0	4.01	3.75	0.26	28.06	0.81	500.0	1.19	1.21	1.26
550.0	4.03	3.78	0.25	27.15	0.92	550.0	1.20	1.20	1.25
600.0	4.06	3.82	0.24	26.03	0.99	600.0	1.20	1.20	1.24
650.0	4.08	3.85	0.23	25.37	1.11	650.0	1.20	1.20	1.25
700.0	4.12	3.87	0.24	25.11	1.24	700.0	1.20	1.20	1.27
750.0	4.14	3.90	0.24	24.72	1.39	750.0	1.19	1.20	1.25
800.0	4.17	3.94	0.23	24.01	1.59	800.0	1.17	1.21	1.24
850.0	4.18	3.97	0.21	23.09	1.70	850.0	1.17	1.22	1.25
900.0	4.21	4.01	0.20	22.26	1.79	900.0	1.16	1.23	1.27
925.0	4.24	4.02	0.22	22.03	1.61	925.0	1.15	1.24	1.27
950.0	4.24	4.04	0.20	21.85	1.81	950.0	1.14	1.25	1.26
975.0	4.26	4.05	0.21	21.48	1.69	975.0	1.13	1.26	1.25
1000.0	4.27	4.08	0.19	21.41	1.77	1000.0	1.12	1.27	1.25
1025.0	4.30	4.09	0.21	21.16	1.77	1025.0	1.11	1.28	1.25
1050.0	4.30	4.11	0.19	20.73	1.74	1050.0	1.11	1.29	1.25
1075.0	4.32	4.12	0.20	20.66	1.77	1075.0	1.1	1.3	1.26
1100.0	4.32	4.15	0.17	20.08	1.75	1100.0	1.09	1.31	1.26
1200.0	4.37	4.23	0.14	19.47	1.64	1200.0	1.03	1.35	1.28
1300.0	4.44	4.31	0.13	19.54	1.57	1300.0	1.02	1.39	1.3
1400.0	4.50	4.39	0.11	19.72	1.82	1400.0	1.01	1.42	1.33
1500.0	4.55	4.49	0.05	20.60	2.08	1500.0	1.03	1.45	1.32
1600.0	4.64	4.64	0.00	22.49	2.42	1600.0	1.06	1.47	1.33
1700.0	4.83	4.85	0.02	24.10	2.70	1700.0	1.09	1.5	1.33
1800.0	5.13	5.11	0.02	23.29	2.89	1800.0	1.13	1.54	1.38
1900.0	5.41	5.28	0.13	21.29	2.48	1900.0	1.17	1.62	1.47
2000.0	5.61	5.30	0.31	19.50	2.45	2000.0	1.22	1.72	1.61
2100.0	5.57	5.27	0.31	18.44	2.37	2100.0	1.27	1.83	1.8
2200.0	5.47	5.15	0.32	18.10	0.69	2200.0	1.27	1.94	1.93
2300.0	5.48	5.12	0.37	18.22	0.12	2300.0	1.24	2.01	2
2400.0	5.50	5.32	0.19	17.65	0.24	2400.0	1.18	2.03	1.96
2500.0	5.87	5.89	0.01	16.27	0.68	2500.0	1.15	2.05	1.9
2600.0	6.39	6.39	0.00	14.59	1.30	2600.0	1.17	2.05	1.75
2700.0	7.33	7.01	0.32	12.82	3.88	2700.0	1.24	2.03	1.64
2800.0	8.19	7.60	0.59	11.80	7.32	2800.0	1.3	2.02	1.57
2900.0	8.83	7.75	1.08	11.30	8.20	2900.0	1.34	2.04	1.58
3000.0	9.13	7.44	1.69	10.89	8.11	3000.0	1.35	2.06	1.63

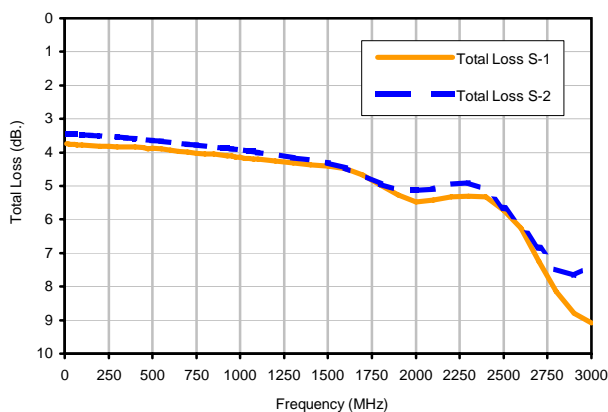
¹Total Loss = Insertion Loss + 3dB Splitter Loss



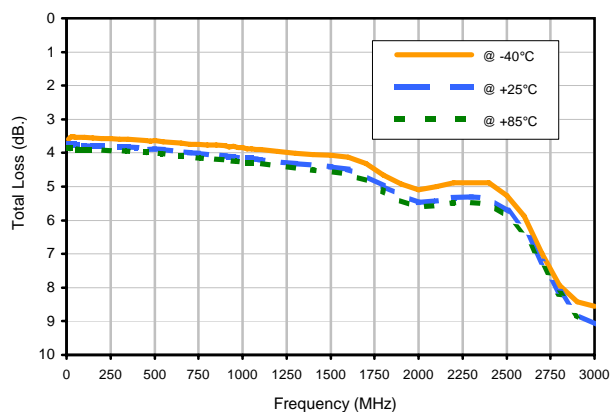
2 Way-0° Power Splitter/Combiner SBTC-2-10-75LX+

Typical Performance Curves

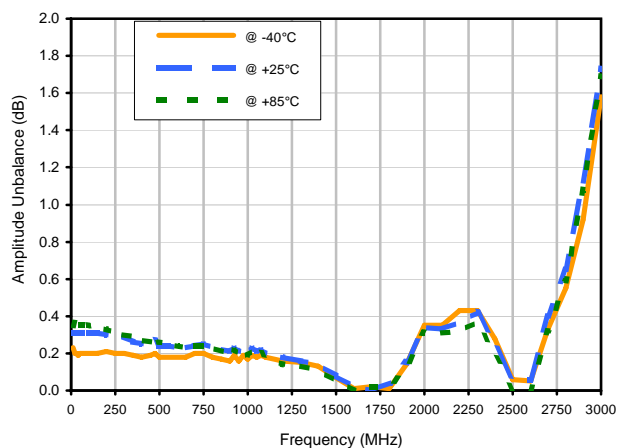
Total Loss



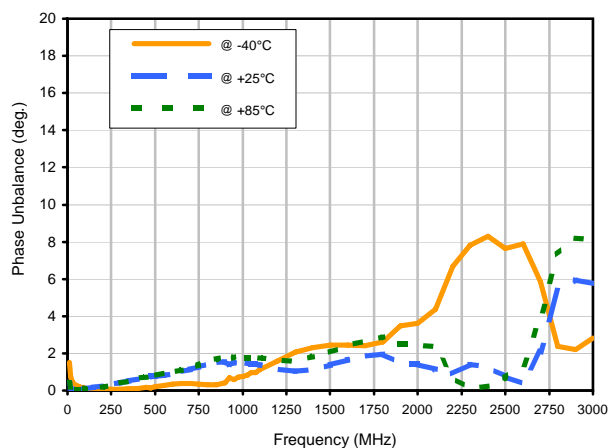
Total Loss S-1 vs. TEMPERATURE



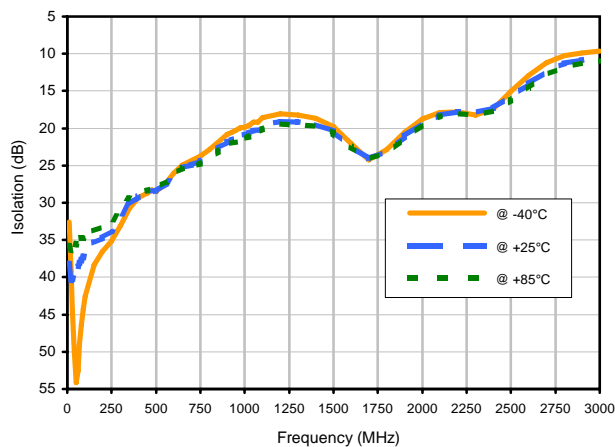
Amplitude Unbalance vs. TEMPERATURE



Phase Unbalance vs. TEMPERATURE

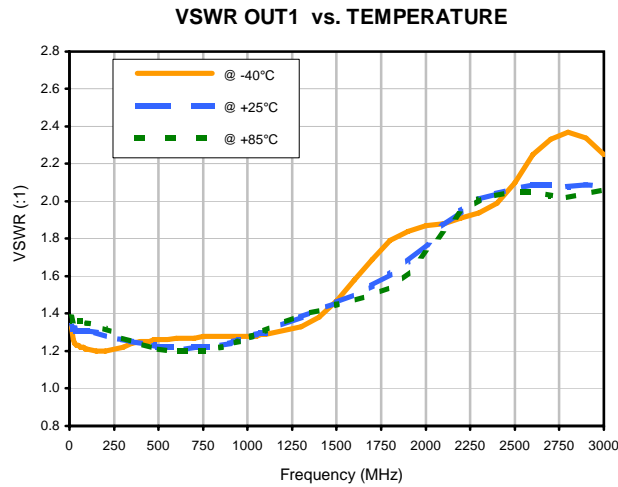
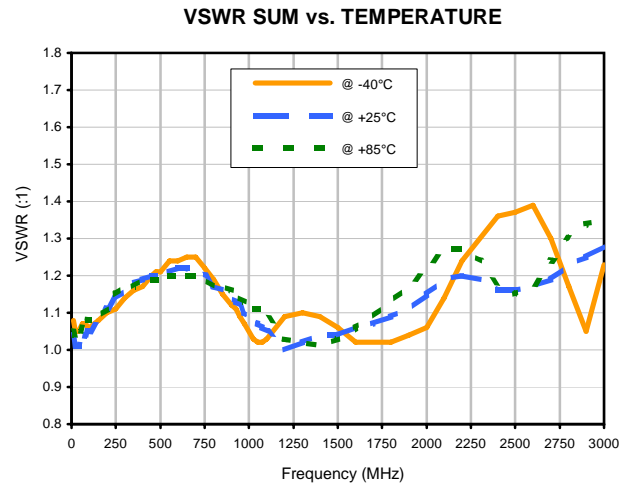
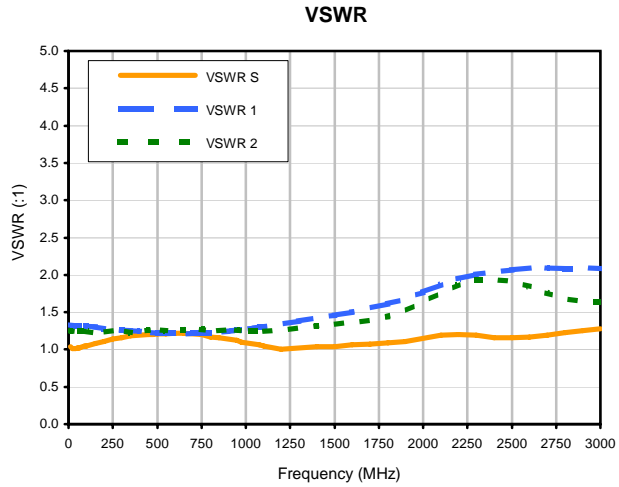


Isolation 1-2 vs. TEMPERATURE



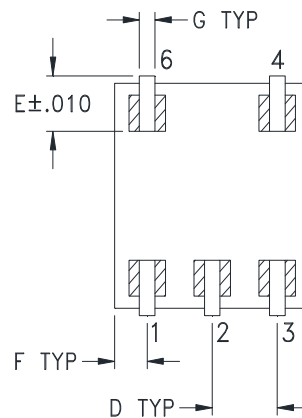
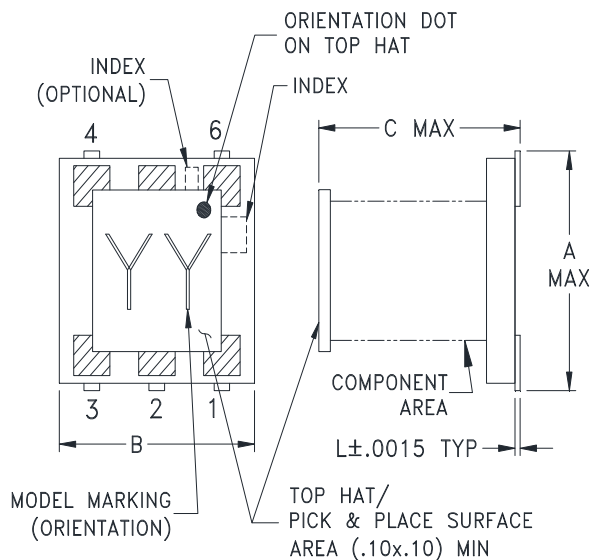
2 Way-0° Power Splitter/Combiner SBTC-2-10-75LX+

Typical Performance Curves

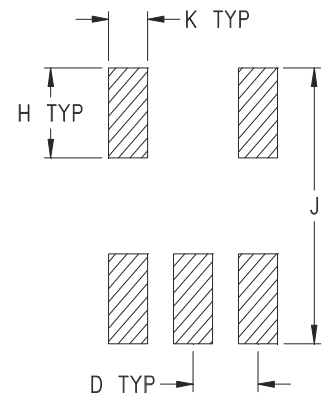


Outline Dimensions

AT1739



PCB Land Pattern



Suggested Layout,
Tolerance to be within $\pm .002$

CASE #	A	B	C	D	E	F	G	H	J	K	L	WT. GRAMS
AT1739	.166 (4.22)	.150 (3.81)	.155 (3.94)	.050 (1.27)	.037 (0.94)	.025 (0.64)	.012 (0.30)	.060 (1.52)	.184 (4.67)	.030 (0.76)	.004 (0.10)	.10

Dimensions are in inches (mm). Tolerances: 2 Pl. $\pm .01$; 3 Pl. $\pm .005$

Notes:

- Open style, Ceramic base.
- Termination finish:
 - For RoHS Case Styles: Tin plate.
 - For RoHS-5 Case Styles: Tin-Lead plate.
- Top-hat thickness .013 max.
- Orientation Dot on Top Hat & Marking on the Substrate both refers to Pin #6 of the Unit.



P.O. Box 350166, Brooklyn, New York 11235-0003 (718) 934-4500 Fax (718) 332-4661 For detailed performance specs & shopping online see Mini-Circuits web site

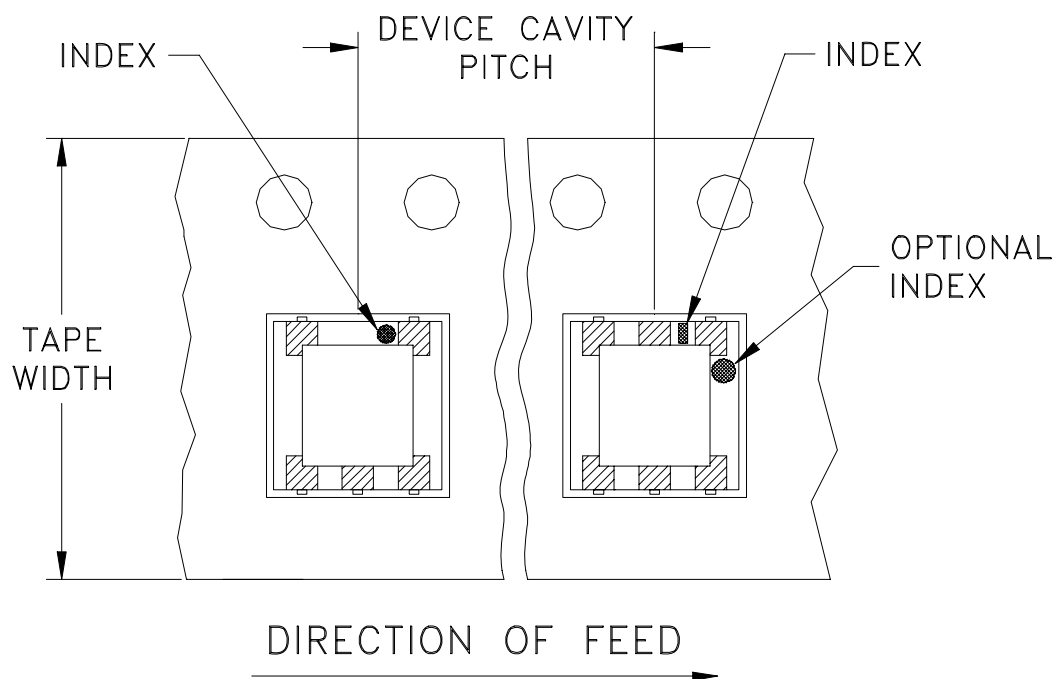


The Design Engineers Search Engine Provides ACTUAL Data Instantly From MINI-CIRCUITS At: www.minicircuits.com

RF/IF MICROWAVE COMPONENTS

Tape & Reel Packaging TR-F76

DEVICE ORIENTATION IN T&R



Tape Width, mm	Device Cavity Pitch, mm	Reel Size, inches	Devices per Reel
12	8	7	20
			50
			100
			200
			500
		13	1000
			2000

Note: Please consult individual model data sheet to determine device per reel availability.

Mini-Circuits carrier tape materials provide protection from ESD (Electro-Static Discharge) during handling and transportation. Tapes are static dissipative and comply with industry standards EIA-481/EIA-541.

Go to: www.minicircuits.com/pages/pdfs/tape.pdf

Mini-Circuits[®]

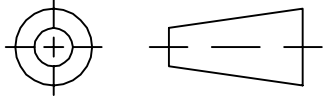
INTERNET <http://www.minicircuits.com>

P.O. Box 350166, Brooklyn, New York 11235-0003 (718) 934-4500 Fax (718) 332-4661

Distribution Centers NORTH AMERICA 800-654-7949 • 417-335-5935 • Fax 417-335-5945 • EUROPE 44-1252-832600 • Fax 44-1252-837010

Mini-Circuits ISO 9001 & ISO 14001 Certified

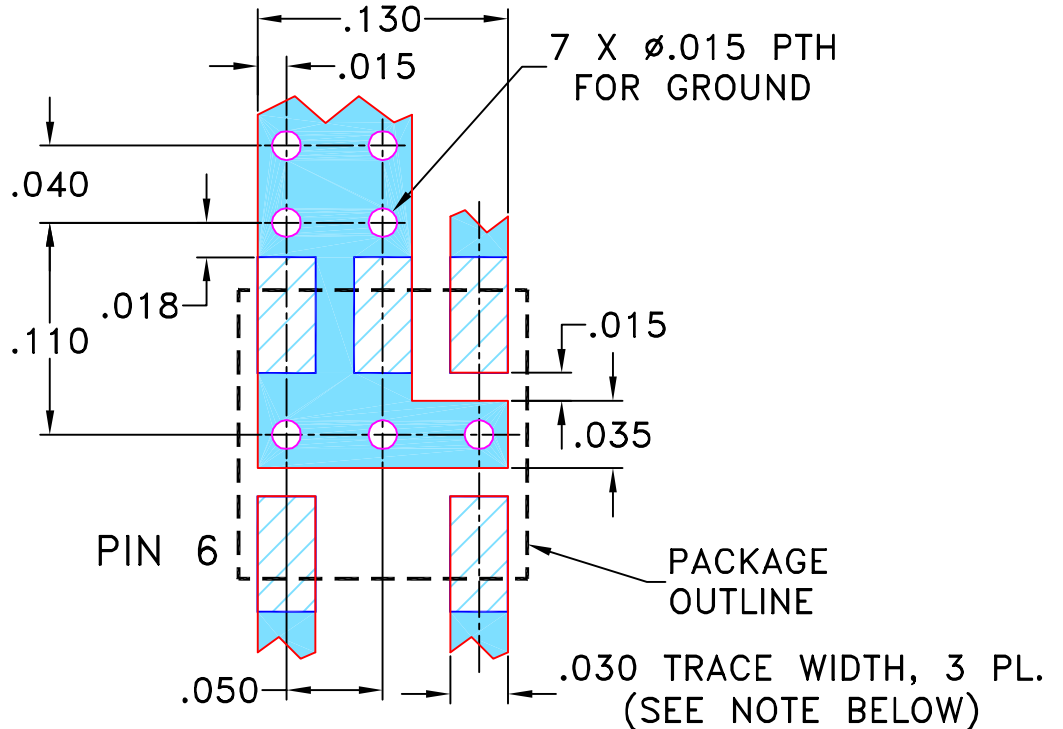
THIRD ANGLE PROJECTION



REVISIONS

REV	ECN No.	DESCRIPTION	DATE	DR	AUTH
OR	M90457	NEW RELEASE	01/16/04	AV	WP
A	M102713	ADDED "...WITH SMOBC"	01/12/06	GF	IL

SUGGESTED MOUNTING CONFIGURATION FOR AT1029 CASE STYLE, "nc" PIN CONNECTION



NOTE: 1. TRACE WIDTH IS SHOWN FOR ROGERS R04350B WITH DIELECTRIC THICKNESS 0.030" ± 0.002"; COPPER: 1/2 OZ. EACH SIDE. FOR OTHER MATERIALS TRACE WIDTH MAY NEED TO BE MODIFIED.

2. BOTTOM SIDE OF THE PCB IS CONTINUOUS GROUND PLANE.

- DENOTES PCB COPPER LAYOUT WITH SMOBC (SOLDER MASK OVER BARE COPPER)
- DENOTES COPPER LAND PATTERN FREE OF SOLDER MASK

UNLESS OTHERWISE SPECIFIED	INITIALS		DATE
DIMENSIONS ARE IN INCHES TOLERANCES ON: 2 PL DECIMALS ± 3 PL DECIMALS ± .005 ANGLES ± FRACTIONS ±	DRAWN	AV	01/07/04
	CHECKED	IL	01/16/04
	APPROVED	WP	01/16/04

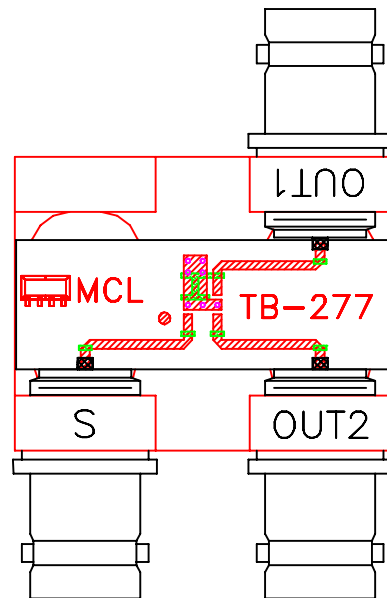
Mini-Circuits® 13 Neptune Avenue
Brooklyn NY 11235

PL, nc, 75, AT1029, SBTC, TB-277

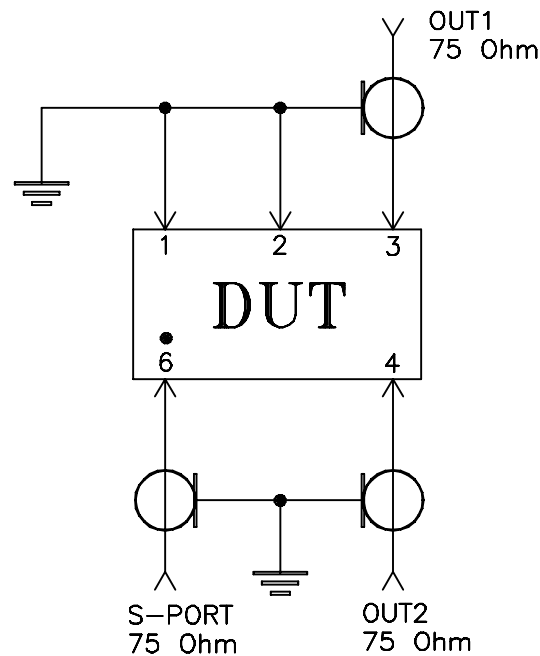
Mini-Circuits®
THIS DOCUMENT AND ITS CONTENTS ARE THE PROPERTY OF MINI-CIRCUITS. EXCEPT FOR USE EXPRESSLY GRANTED, IN WRITING, TO ITS VENDORS, VENDEE AND THE UNITED STATES GOVERNMENT, MINI-CIRCUITS RESERVES ALL PROPRIETARY DESIGN, USE, MANUFACTURING AND REPRODUCTION RIGHTS THERETO. THESE CONTENTS SHALL NOT BE USED, DUPLICATED OR DISCLOSED TO ANY OUTSIDE PARTY, IN WHOLE OR IN PART, WITHOUT WRITTEN PERMISSION OF MINI-CIRCUITS.

SIZE A	CODE IDENT 15542	DRAWING NO: 98-PL-153	REV: A
FILE: 98PL153	SCALE: 10:1	SHEET: 1 OF 1	

Evaluation Board and Circuit




TB-277



Schematic Diagram

Notes:

1. 75 Ohm BNC Female connectors.
2. PCB Material: Rogers R04350 or equivalent,
Dielectric Constant=3.5, Thickness=.030 inch.

 **Mini-Circuits®**



All Mini-Circuits products are manufactured under exacting quality assurance and control standards, and are capable of meeting published specifications after being subjected to any or all of the following physical and environmental test.

Specification	Test/Inspection Condition	Reference/Spec
Operating Temperature	-40° to 85°C Ambient Environment	Individual Model Data Sheet
Storage Temperature	-55° to 100° C Ambient Environment	Individual Model Data Sheet
Humidity	90 to 95% RH, 240 hours, 50°C	MIL-STD-202, Method 103, Condition A, Except 50°C and end-point electrical test done within 12 hours
Thermal Shock	-55° to 100°C, 100 cycles	MIL-STD-202, Method 107, Condition A-3, except +100°C
Solder Reflow Heat	Sn-Pb Eutetic Process: 225°C peak Pb-Free Process 245° - 250°C peak	J-STD-020, Table 4-1, 4-2 and 5-2, Figure 5-1
Solderability	10X Magnification	J-STD-002, 95% Coverage
Vibration (High Frequency)	20g peak, 10-2000 Hz, 12 times in each of three perpendicular directions (total 36)	MIL-STD-202, Method 204, Condition D
Mechanical Shock	50g, 11 ms, 1/2-sine, 18 shocks: 3 each direction, each of 3 axes	MIL-STD-202, Method 213, Condition A
Marking Resistance to Solvents	Isopropyl alcohol + mineral spirits at 25°C; terpene defluxer at 25°C; distilled water + proylene glycol monomethyl ether + monoethanolamine at 63°C to 70°C	MIL-STD-202, Method 215