



USB & ETHERNET CONTROLLED

Millimeter Wave Switch Matrix **RC-4SPDT-40**

50Ω DC to 40 GHz 2.92mm-Female

THE BIG DEAL

- Millimetre wave switching (up to 40 GHz)
- 4 x mechanical reflective SPDT switches
- High reliability, 2 million switch cycles
- 5W power rating (cold switching)

APPLICATIONS

- 5G node / device testing
- Automated test equipment
- Fail-safe / redundancy switching



CASE STYLE: LM3149

DOWNLOAD

SOFTWARE PACKAGE

RoHS Compliant

See our website for RoHS Compliance methodologies and qualifications

PRODUCT OVERVIEW

Mini-Circuits' RC-4SPDT-40 houses 4 independently controlled, electro-mechanical SPDT switches. Each switch operates over an extremely wide bandwidth, from DC to 40 GHz with high isolation and low insertion loss. The reflective switches are of a failsafe and break-before-make-configuration, with a minimum lifetime of 2 million switching cycles per switch when used within the noted specifications.

The switch box is constructed in a compact, rugged metal case (4.5 x 6.0 x 2.25") with all 2.92mm (f) RF connectors on the front panel. The switches are controlled via USB or Ethernet, allowing control directly from a PC, or remotely over a network. Full software support is provided, including our user-friendly GUI application for Windows and a full API with programming instructions for Windows and Linux environments (both 32-bit and 64-bit systems).

KEY FEATURES

Feature	Advantages
Mechanical SPDT switches	Mechanical reflective switches provide highly reliable and repeatable performance.
Operation from DC to 40 GHz	Supports a wide range of RF test and signal routing applications, including 2G, 3G, 4G and 5G, with a single device
Break-before-make configuration	Prevents a momentary connection of the old and new signal paths, reducing the inconsistent transient effects that could otherwise be observed during switching
USB & Ethernet control	USB HID and Ethernet (HTTP / Telnet) interfaces provide easy compatibility with a wide range of software setups and programming environments
Full software support	User friendly Windows GUI (graphical user interface) allows manual control straight out of the box, while the comprehensive API (application programming interface) with examples and instructions allows easy automation in most programming environments

REV. A
ECO-010323
RC-4SPDT-40
MCL NY
240125





USB & ETHERNET CONTROLLED

Millimeter Wave Switch Matrix **RC-4SPDT-40**

50Ω DC to 40 GHz 2.92mm-Female

ELECTRICAL SPECIFICATIONS AT 25°C

Parameter	Conditions (GHz)	Min.	Typ.	Max.	Units
Frequency Range		DC		40	GHz
Insertion Loss	DC - 12	—	0.2	0.5	dB
	12 - 26	—	0.3	0.7	
	26 - 40	—	0.6	1.1	
Isolation	DC - 12	60	80	—	dB
	12 - 26	55	75	—	
	26 - 40	50	65	—	
VSWR	DC - 12	—	1.25	—	:1
	12 - 26	—	1.30	—	
	26 - 40	—	1.50	—	
Switching Time	—	—	25	—	ms
RF Input Power (Cold Switching)	DC - 12	—	—	20	W
	12 - 26	—	—	10	
	26 - 40	—	—	5	
Switch Lifetime (per switch)	100mW hot switching ¹	2	—	—	million cycles
	1W hot switching	—	1	—	
Rated Current (24V DC Input)	All switches in state 2	—	550	—	mA
	All switches in state 1	—	90	—	
Rated Current (USB)		—	10	20	mA

1. Hot switching power above this level will degrade the switch lifetime.

ABSOLUTE MAXIMUM RATINGS

Parameters	Ratings
Operating Temperature	0°C to 40°C
Storage Temperature	-15°C to 85°C
Supply Voltage	26V





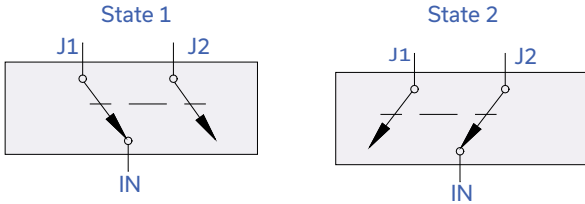
USB & ETHERNET CONTROLLED

Millimeter Wave Switch Matrix **RC-4SPDT-40**

50Ω DC to 40 GHz 2.92mm-Female

SWITCHING CONFIGURATION (PER SWITCH):

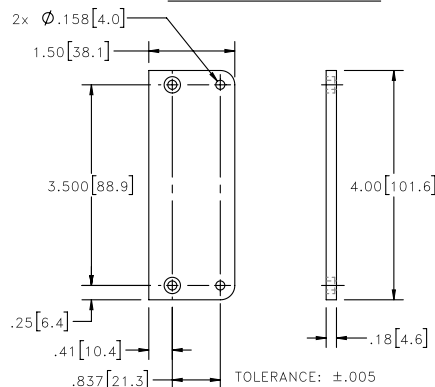
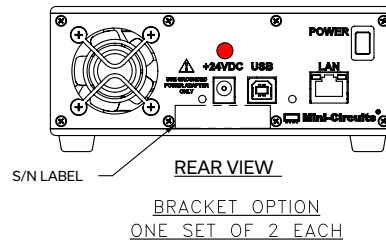
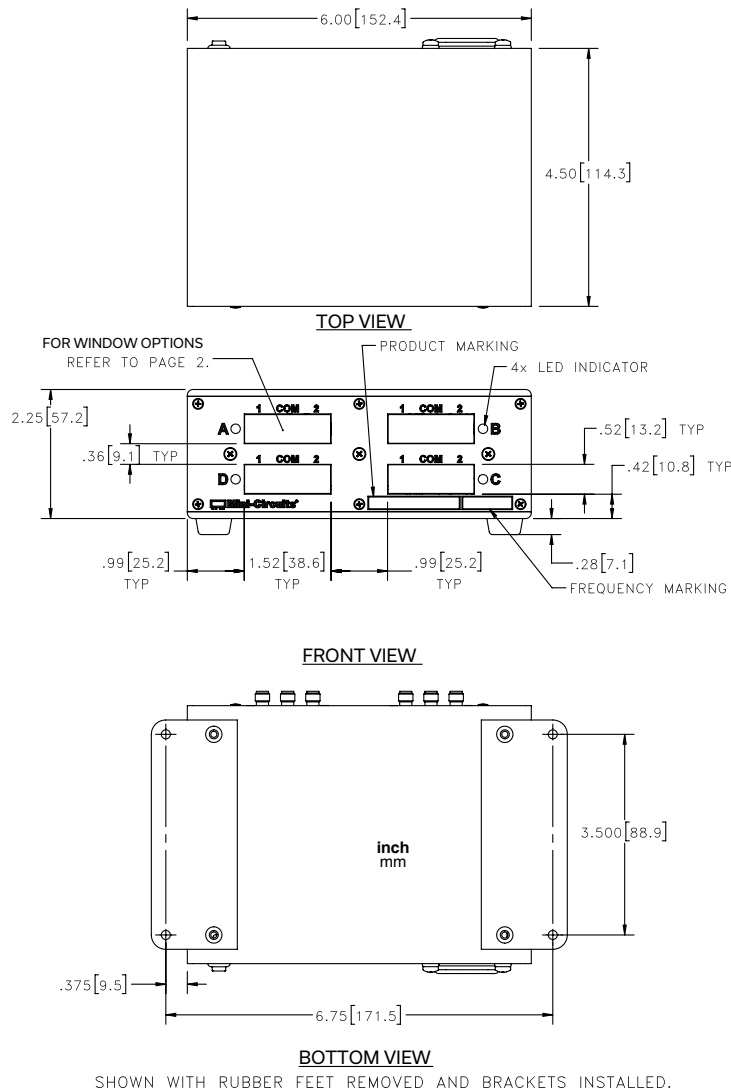
- Fail-safe
- Reflective



CONNECTIONS

Port Name	Connector Type
RF Switch A-D (Com, 1 & 2)	2.92mm female
USB	USB type-B
Ethernet / LAN	RJ45
24V _{DC} Input	2.1mm center positive DC socket

OUTLINE DRAWING (LM3149)



INSTRUCTIONS FOR MOUNTING BRACKETS:
 TOOL REQUIRED: PHILLIPS HEAD SCREWDRIVER
 STEP 1: REMOVE RUBBER FEET FROM THE BOTTOM OF THE UNIT, DO NOT DISCARD THE FASTENERS.
 STEP 2: MOUNT THE BRACKETS WITH THE FASTENERS REMOVED IN STEP 1, USING THE COUNTER BORE HOLES IN THE BRACKET.

Weight (Model): (2SPDT) 880 grams; (4SPDT) 960 grams
 Dimensions are in inches [mm]. Tolerances: 2 Pl. ±.03 inch; 3 Pl. ±.015 inch.





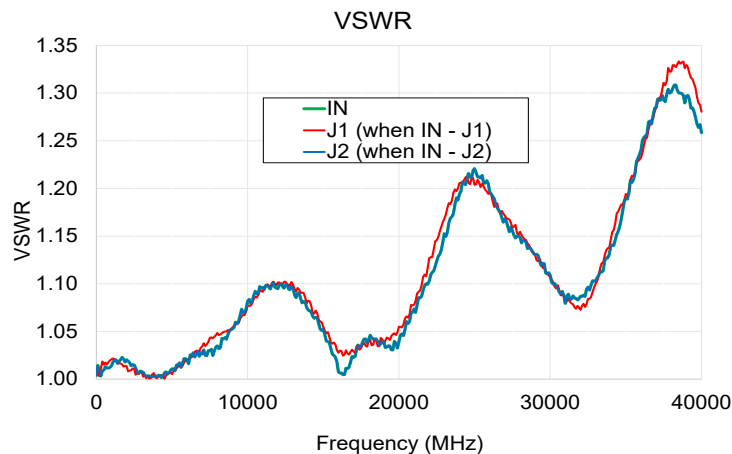
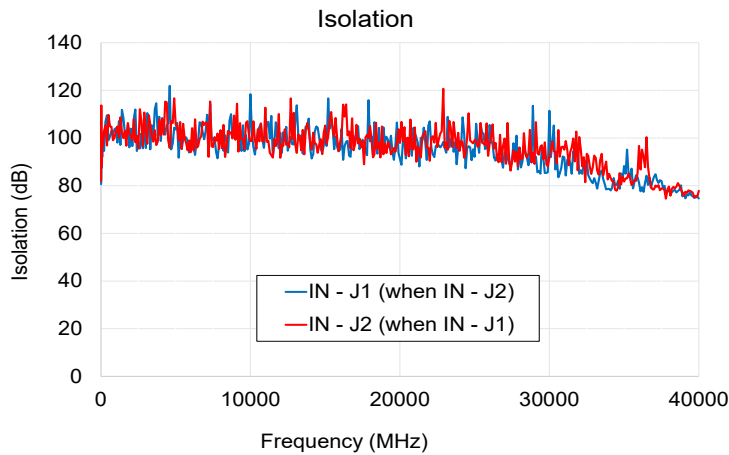
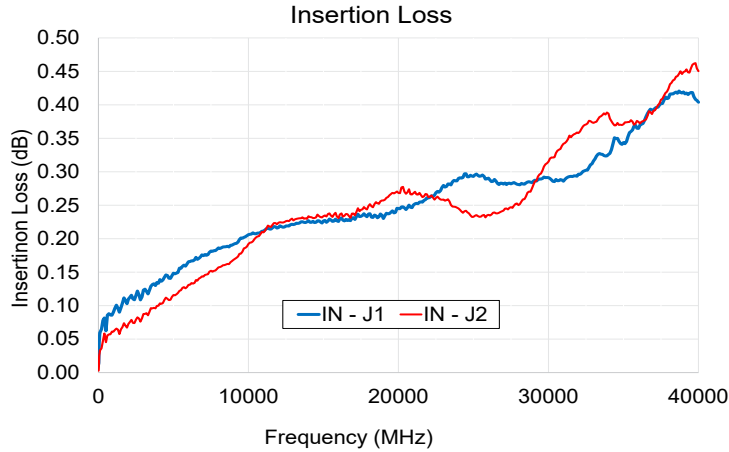
USB & ETHERNET CONTROLLED

Millimeter Wave Switch Matrix **RC-4SPDT-40**

Mini-Circuits

50Ω DC to 40 GHz 2.92mm-Female

TYPICAL PERFORMANCE DATA





USB & ETHERNET CONTROLLED

Millimeter Wave Switch Matrix **RC-4SPDT-40**

50Ω DC to 40 GHz 2.92mm-Female

SOFTWARE SPECIFICATIONS

SOFTWARE & DOCUMENTATION DOWNLOAD:

- Mini-Circuits' full software and support package including user guide, Windows GUI, DLL files, programming manual and examples can be downloaded free of charge from: <https://www.minicircuits.com/softwaredownload/rfswitchcontroller.html>
- Please contact testsolutions@minicircuits.com for support

MINIMUM SYSTEM REQUIREMENTS:

Parameter	Requirements	
Interface	USB HID & Ethernet (HTTP & Telnet)	
System Requirements	GUI	Windows 98 or later
	USB API DLL	Windows 98 or later and programming environment with ActiveX or .NET support
	USB Direct Programming	Linux, Windows 98 or later
	Ethernet	Windows, Linux or Mac computer with a network port and Ethernet TCP/IP support
Hardware	Pentium II or later with 256 MB RAM	

APPLICATION PROGRAMMING INTERFACE (API)

ETHERNET SUPPORT:

- Simple ASCII / SCPI command set for attenuator control
- Communication via HTTP or Telnet
- Supported by most common programming environments

USB SUPPORT (WINDOWS):

- ActiveX COM DLL file for creation of 32-bit programs
- .NET library DLL file for creation of 32 / 64-bit programs
- Supported by most common programming environments (refer to application note AN-49-001 for summary of supported environments)

USB SUPPORT (LINUX):

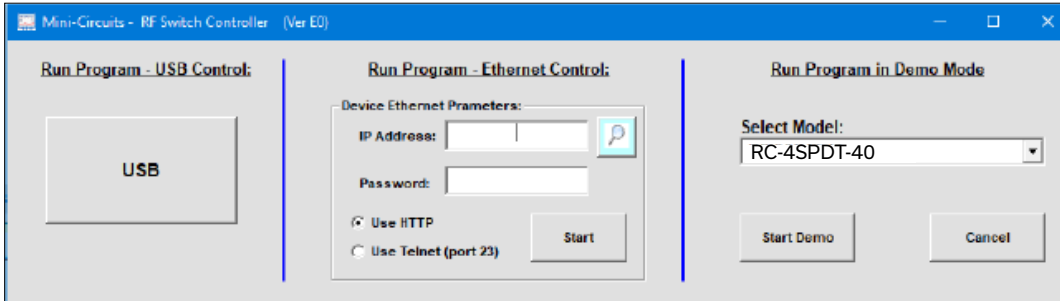
- Direct USB programming using a series of USB interrupt codes

Full programming instructions and examples available for a wide range of programming environments / languages.

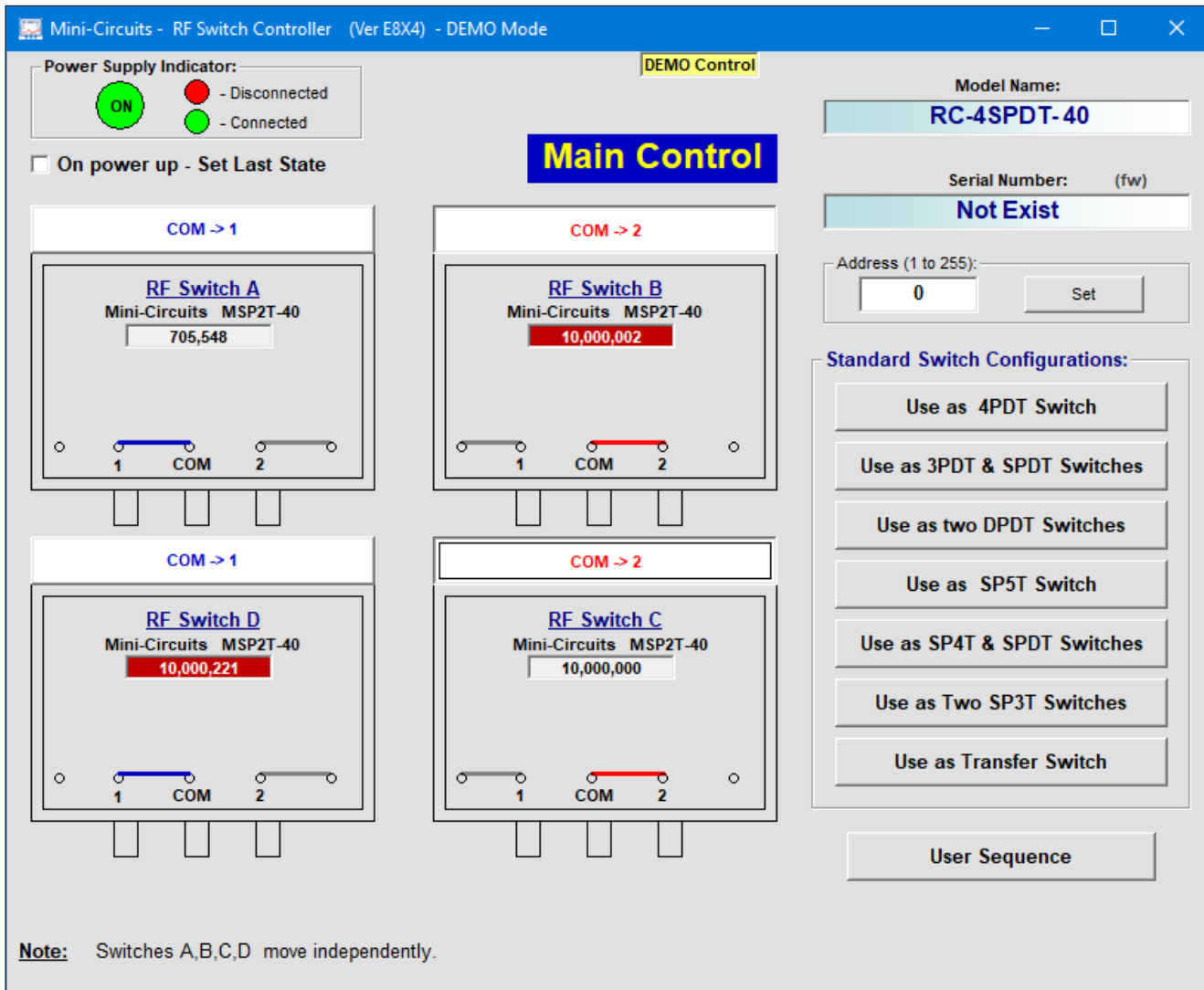


GRAPHICAL USER INTERFACE (GUI) FOR WINDOWS - KEY FEATURES

- Connect via USB or Ethernet
- Run GUI in "demo mode" to evaluate software without a hardware connection



- View and set switch states at the click of a button
- Configure and run timed switching sequences
- Set start-up switch state
- Configure Ethernet IP settings





USB & ETHERNET CONTROLLED



Millimeter Wave Switch Matrix **RC-4SPDT-40**






50Ω DC to 40 GHz 2.92mm-Female

ORDERING INFORMATION

Please contact Mini-Circuits' Test Solutions department for price and availability: testsolutions@minicircuits.com

Model	Description
RC-4SPDT-40	USB & Ethernet controlled SPDT switch matrix

Included Accessories	Part No.	Description
	AC/DC-24-3W1	AC/DC 24V _{DC} Grounded Power Adaptor. Operating temperature: 0°C to +40°C, I _{Max} =2.5A
See Below	CBL-3W1-XX	AC Power Cord (Select one power cord from below with each Switch Matrix box)
	USB-CBL-AB-3+	2.7 ft (0.8 m) USB Cable: USB type A(Male) to USB type B(Male)

AC Power Cords ²	Part No.	Description
	CBL-3W1-US	Power Cord for United States
	CBL-3W1-EU	Power Cord for Europe
	CBL-3W1-UK	Power Cord for United Kingdom
	CBL-3W1-AU	Power Cord for Australia and China
	CBL-3W1-IL	Power Cord for Israel

2. If you need a Power cord for a country not listed please contact testsolutions@minicircuits.com

OPTIONAL ACCESSORIES

USB-CBL-AB-3+	2.7 ft (0.8 m) USB Cable: USB type A(Male) to USB type B(Male)
USB-CBL-AB-7+	6.8 ft (2.1 m) USB Cable: USB type A(Male) to USB type B(Male)
USB-CBL-AB-11+	11 ft (3.4 m) USB Cable: USB type A(Male) to USB type B(Male)
CBL-RJ45-MM-5+	5 ft (1.5 m) Ethernet cable: RJ45(Male) to RJ45(Male) Cat 5E cable
BKT-272-08+	Bracket (One set of 2 each)

- NOTES**
- A. Performance and quality attributes and conditions not expressly stated in this specification document are intended to be excluded and do not form a part of this specification document.
 - B. Electrical specifications and performance data contained in this specification document are based on Mini-Circuit's applicable established test performance criteria and measurement instructions.
 - C. The parts covered by this specification document are subject to Mini-Circuits standard limited warranty and terms and conditions (collectively, "Standard Terms"); Purchasers of this part are entitled to the rights and benefits contained therein. For a full statement of the standard. Terms and the exclusive rights and remedies thereunder, please visit Mini-Circuits' website at www.minicircuits.com/MCLStore/terms.jsp



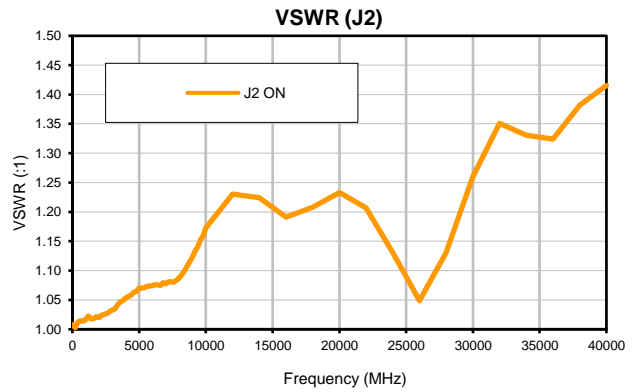
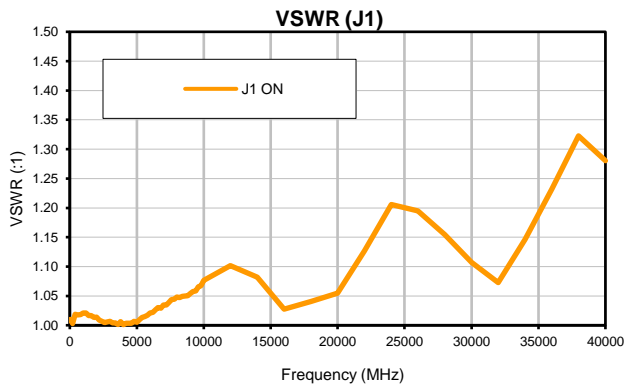
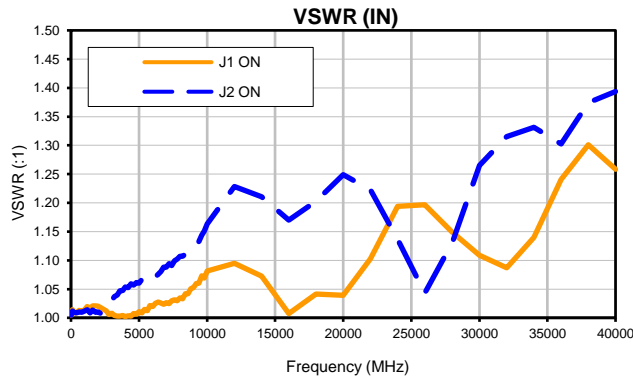
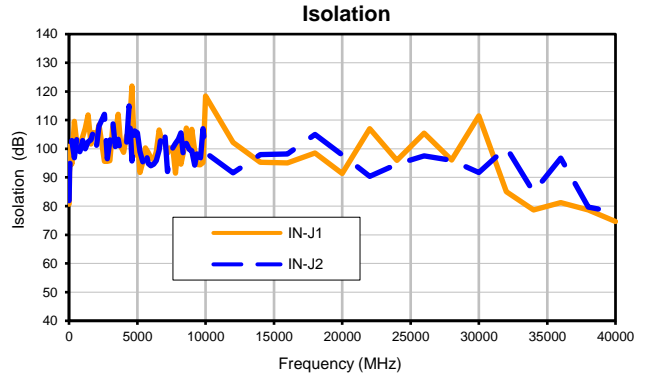
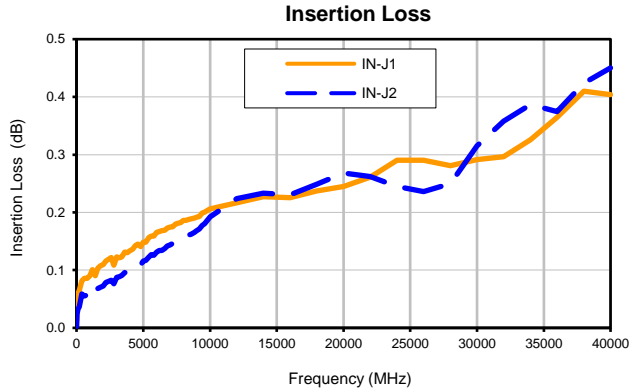
Typical Performance Curves per Switch

FREQUENCY (MHz)	INSERTION LOSS ON (dB)		ISOLATION OFF (dB)		VSWR (:1)		VSWR (:1)	
	IN-J1	IN-J2	IN-J1	IN-J2	IN-J1 ON	IN-J2 ON	J1-J1 ON	J2-J2 ON
10	0.01	0.00	80.63	81.88	1.00	1.00	1.01	1.01
50	0.04	0.02	91.83	91.84	1.01	1.01	1.01	1.01
100	0.06	0.03	101.11	96.48	1.01	1.01	1.01	1.01
200	0.06	0.04	94.58	102.89	1.01	1.01	1.00	1.00
400	0.08	0.06	109.59	96.86	1.01	1.01	1.02	1.01
600	0.09	0.06	100.60	104.84	1.01	1.01	1.02	1.01
800	0.09	0.06	101.12	99.02	1.01	1.01	1.02	1.01
1000	0.09	0.06	104.19	102.86	1.01	1.01	1.02	1.02
1200	0.10	0.07	107.11	100.02	1.02	1.01	1.02	1.02
1400	0.09	0.06	111.81	102.39	1.02	1.01	1.02	1.02
1600	0.10	0.07	101.65	103.06	1.02	1.01	1.02	1.02
1800	0.11	0.07	105.70	106.30	1.02	1.01	1.01	1.02
2000	0.11	0.07	103.97	100.72	1.02	1.01	1.01	1.02
2200	0.12	0.08	108.39	107.92	1.02	1.01	1.01	1.02
2600	0.12	0.08	95.59	112.07	1.01	1.02	1.00	1.03
2800	0.11	0.08	95.66	96.56	1.01	1.03	1.01	1.03
3000	0.12	0.09	95.81	102.64	1.01	1.03	1.01	1.03
3200	0.12	0.09	107.68	109.57	1.00	1.04	1.00	1.04
3400	0.12	0.09	105.36	100.75	1.00	1.04	1.00	1.04
3600	0.13	0.10	112.03	103.31	1.00	1.05	1.00	1.05
3800	0.13	0.10	100.83	98.47	1.00	1.05	1.01	1.05
4000	0.13	0.10	98.73	101.03	1.00	1.05	1.00	1.05
4200	0.14	0.10	104.54	101.39	1.00	1.05	1.00	1.06
4400	0.14	0.11	105.47	114.96	1.00	1.06	1.00	1.06
4600	0.14	0.11	121.90	95.77	1.01	1.06	1.00	1.06
4800	0.14	0.11	97.75	106.25	1.01	1.06	1.01	1.06
5000	0.15	0.12	103.55	105.52	1.01	1.06	1.01	1.07
5200	0.15	0.12	91.71	99.00	1.01	1.07	1.01	1.07
5400	0.16	0.12	95.37	95.40	1.01	1.06	1.01	1.07
5600	0.16	0.13	100.32	99.79	1.01	1.07	1.01	1.07
5800	0.16	0.13	98.60	94.84	1.02	1.07	1.02	1.07
6000	0.17	0.13	96.87	94.03	1.02	1.07	1.02	1.07
6200	0.17	0.13	96.05	94.67	1.03	1.07	1.02	1.08
6400	0.17	0.13	98.99	95.88	1.03	1.08	1.03	1.08
6600	0.17	0.14	106.59	99.56	1.03	1.08	1.03	1.07
6800	0.17	0.14	102.55	106.85	1.02	1.09	1.03	1.08
7000	0.17	0.14	102.65	106.52	1.03	1.09	1.03	1.08
7200	0.18	0.15	98.39	92.06	1.02	1.09	1.03	1.08
7400	0.18	0.15	100.36	96.49	1.03	1.09	1.04	1.08
7600	0.18	0.15	99.89	100.40	1.03	1.10	1.04	1.08
7800	0.18	0.15	91.48	101.90	1.03	1.10	1.04	1.08
8000	0.19	0.16	102.27	103.28	1.03	1.11	1.05	1.09
8200	0.19	0.16	94.62	105.52	1.03	1.11	1.05	1.09
8400	0.19	0.16	99.44	96.27	1.04	1.11	1.05	1.10
8600	0.19	0.16	107.19	101.86	1.04	1.11	1.05	1.11
8800	0.19	0.16	100.20	99.81	1.05	1.11	1.05	1.12
9000	0.19	0.17	106.81	99.26	1.05	1.12	1.05	1.12
9200	0.19	0.17	99.39	94.28	1.06	1.13	1.06	1.13
9400	0.20	0.18	94.51	99.56	1.06	1.13	1.06	1.14
9600	0.20	0.18	94.41	95.23	1.07	1.14	1.07	1.15
9800	0.20	0.19	95.16	107.04	1.07	1.15	1.07	1.16
10000	0.21	0.19	118.37	98.67	1.08	1.16	1.08	1.17
12000	0.22	0.22	102.19	91.65	1.09	1.23	1.10	1.23
14000	0.23	0.23	95.35	97.93	1.07	1.21	1.08	1.22
16000	0.23	0.23	95.12	98.17	1.01	1.17	1.03	1.19
18000	0.24	0.25	98.56	105.04	1.04	1.20	1.04	1.21
20000	0.25	0.27	91.34	97.89	1.04	1.25	1.05	1.23
22000	0.26	0.26	107.01	90.41	1.10	1.22	1.13	1.21
24000	0.29	0.25	96.00	94.59	1.19	1.14	1.21	1.13
26000	0.29	0.24	105.45	97.48	1.20	1.04	1.20	1.05
28000	0.28	0.25	96.05	95.96	1.15	1.13	1.15	1.13
30000	0.29	0.32	111.43	91.75	1.11	1.27	1.11	1.26
32000	0.30	0.36	84.99	100.46	1.09	1.32	1.07	1.35
34000	0.33	0.39	78.69	84.96	1.14	1.33	1.15	1.33
36000	0.36	0.37	81.25	96.70	1.24	1.30	1.23	1.32
38000	0.41	0.42	78.63	79.62	1.30	1.37	1.32	1.38
40000	0.40	0.45	74.63	77.82	1.26	1.39	1.28	1.42



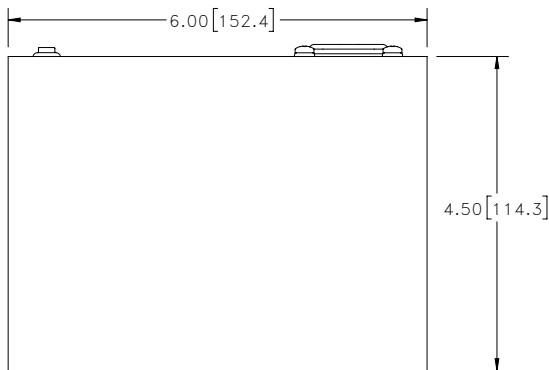
USB/ETHERNET Controlled Millimeter Switch Matrix RC-4SPDT-40

Typical Performance Curves per Switch

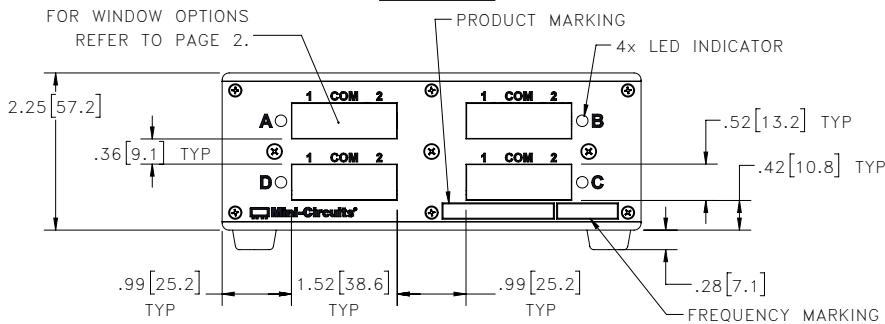


Outline Dimensions

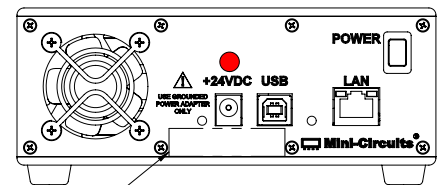
LM3149



TOP VIEW



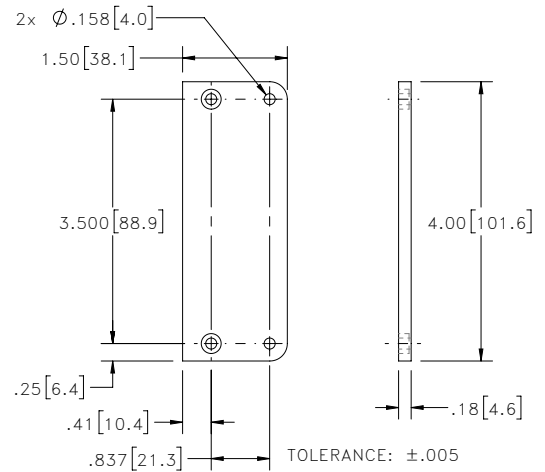
FRONT VIEW



REAR VIEW

S/N LABEL

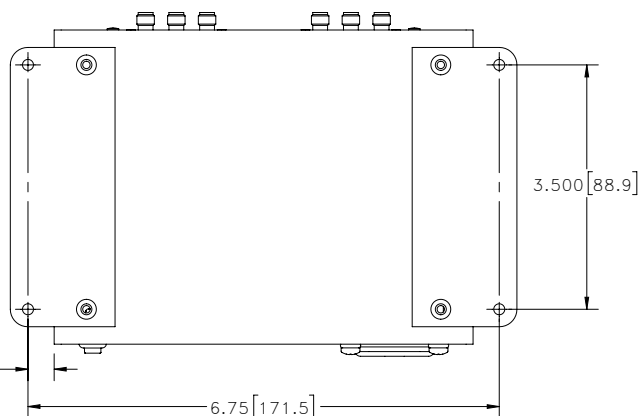
BRACKET OPTION
ONE SET OF 2 EACH



INSTRUCTIONS FOR MOUNTING BRACKETS:
TOOL REQUIRED: PHILLIPS HEAD SCREWDRIVER

STEP 1: REMOVE RUBBER FEET FROM THE BOTTOM OF THE UNIT. DO NOT DISCARD THE FASTENERS.

STEP 2: MOUNT THE BRACKETS WITH THE FASTENERS REMOVED IN STEP 1, USING THE COUNTER BORE HOLES IN THE BRACKET.



BOTTOM VIEW

SHOWN WITH RUBBER FEET REMOVED AND BRACKETS INSTALLED.

Notes:

1. Case material: Aluminum (with protective coating to prevent corrosion).
2. Dimensions are in inches [mm]. Tolerances: 2 Pl. $\pm .03$ inch; 3 Pl. $\pm .015$ inch.
3. Weight (Model): (1SPDT) TBD. (2SPDT) 880 grams. (3SPDT) TBD. (4SPDT) 960 grams
4. Marking may contain other features or characters for internal lot control.

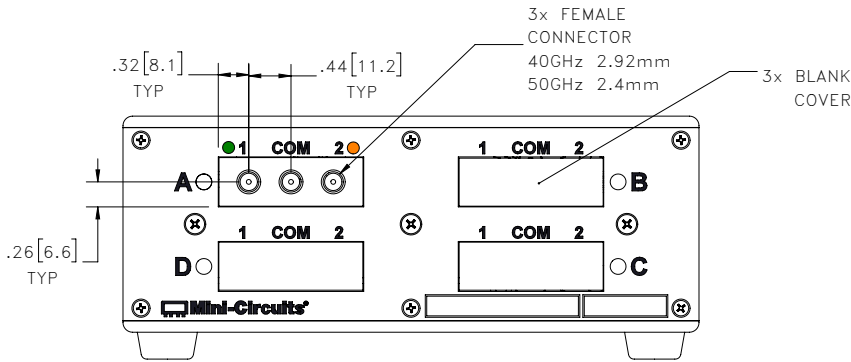


P.O. Box 350166, Brooklyn, New York 11235-0003 (718) 934-4500 Fax (718) 332-4661 For detailed performance specs & shopping online see Mini-Circuits web site

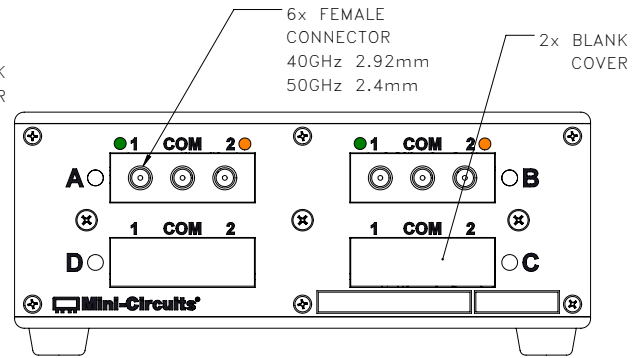


The Design Engineers Search Engine Provides ACTUAL Data Instantly From MINI-CIRCUITS At: www.minicircuits.com

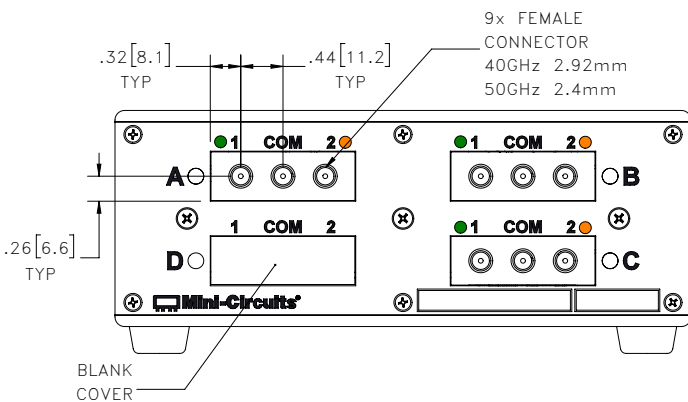
RF/IF MICROWAVE COMPONENTS



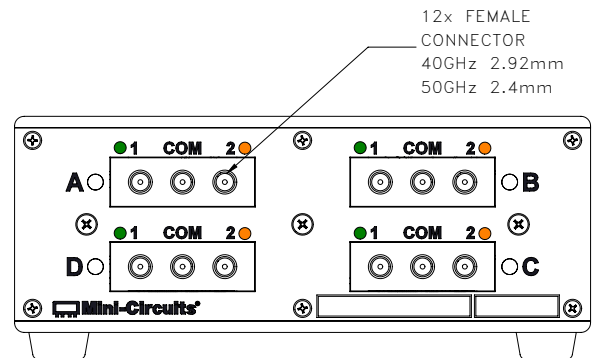
1SPDT 40GHz/1SPDT 50GHz MODELS



2SPDT 40GHz/2SPDT 50GHz MODELS



3SPDT 40GHz/3SPDT 50GHz MODELS



4SPDT 40GHz/4SPDT 50GHz MODELS



All Mini-Circuits products are manufactured under exacting quality assurance and control standards, and are capable of meeting published specifications after being subjected to any or all of the following physical and environmental test.

Specification	Test/Inspection Condition	Reference/Spec
Operating Temperature	0° to 40° C Ambient Environment	Individual Model Data Sheet
Storage Temperature	-15° to 85°C Ambient Environment	Individual Model Data Sheet
Operating and Storage Humidity	5% to 85% RH (non-condensing)	Ambient
Bench Handling Test	Bench Top Tip 45° & Drop	MIL-PRF-28800F
Transit Drop Test	Free Fall Drop, 20 cm (7.9 inches)	MIL-PRF-28800F class 3