



LOW NOISE, HIGH IP3

# Monolithic Amplifier

## PSA-5455+

Mini-Circuits

50Ω 0.05 to 4 GHz

### THE BIG DEAL

- Single Positive Supply Voltage, +5V, Id=40mA
- Ultra Low Noise Figure, 0.8 dB typ. at 1GHz
- High IP3, 31 dBm typ. 1GHz
- Gain, 19 dB typ. at 1GHz
- Output Power, up to +19 dBm typ.
- Micro-miniature size SOT-363 package
- Aqueous washable



Generic photo used for illustration purposes only

CASE STYLE: CA1389

### +RoHS Compliant

The +Suffix identifies RoHS Compliance. See our website for methodologies and qualifications

### APPLICATIONS

- Cellular
- ISM
- GSM
- WCDMA
- LTE
- WiMAX
- WLAN
- UNII and HIPERLAN

### PRODUCT OVERVIEW

Mini-Circuits PSA-5455+ is a E-PHEMT\* based Ultra-Low Noise MMIC Amplifier operating from 50 MHz to 4 GHz with a unique combination of low noise and high IP3 making this amplifier ideal for sensitive receiver applications. This design operates on a single 5V supply at only 40mA and is internally matched to 50 ohms.

### KEY FEATURES

Feature	Advantages
Ultra Low Noise, 0.8 dB	Outstanding Noise Figure, measured in a 50 Ohm environment without any external matching
High IP3, 31 dBm	Combining Low Noise and High IP3 makes this MMIC amplifier ideal for Low Noise Receiver Front End (RFE) because it gives the user advantages at both ends of the dynamic range: sensitivity & two-tone spur-free dynamic range
Low Current, 40 mA	At only 40 mA, the PSA-5455+ is ideal for remote applications with limited available power or densely packed applications where thermal management is critical.
Broad Band	Operating over a broadband the PSA-5455+ covers the primary wireless communications bands: Cellular, PCS, LTE, WiMAX
Internally Matched	No external matching elements required to achieve the advertised noise and output power over the full band
SOT-363 Package	Small size, industry standard package
Max Input Power, +15dBm	Ruggedized design operates up to input powers of +15dBm without the need of an external limiter
High Reliability	Low, small signal operating current of 30 mA nominal maintains junction temperatures typically below 120°C at 85°C ground lead temperature

\* Enhancement mode pseudomorphic High Electron Mobility Transistor.

REV. D  
ECO-011279  
PSA-5455+  
MCL NY  
240119





LOW NOISE, HIGH IP3

# Monolithic Amplifier

## PSA-5455+

Mini-Circuits

### ELECTRICAL SPECIFICATIONS<sup>(1)</sup> AT 25°C, Z<sub>0</sub>=50Ω, (REFER TO CHARACTERIZATION CIRCUIT, FIG. 1)

Parameter	Condition (GHz)	Min.	Typ.	Max.	Units
Frequency Range		0.05		4.0	GHz
DC Voltage (V <sub>d</sub> )			5.0		V
DC Current (I <sub>d</sub> ) <sup>(6)</sup>		30	40	60	mA
DC Current (I <sub>Rbias</sub> )			1.2		mA
Noise Figure	0.05		2.7	—	dB
	0.5		0.8	—	
	1.0		0.8	—	
	2.0		1.0	1.3	
	3.0		1.3	—	
	4.0		1.6	—	
Gain	0.05	—	23.2	—	dB
	0.5	—	22.8	—	
	1.0	—	19.2	—	
	2.0	12.6	14.4	15.4	
	3.0	—	11.6	—	
	4.0	—	10.0	—	
Input Return Loss	0.05-1.0		8.0		dB
	1.0-4.0		7.0		
Output Return Loss	0.05-1.0		10.0		dB
	1.0-4.0		21.0		
Output IP3	0.05		27.8		dBm
	0.5		30.3		
	1.0		31.0		
	2.0		32.2		
	3.0		32.2		
	4.0		31.8		
Output Power @ 1 dB compression (P <sub>1dB</sub> ) <sup>(2)</sup>	0.05		14.9		dBm
	0.5		18.8		
	1.0		19.2		
	2.0		18.5		
	3.0		18.3		
	4.0		19.1		
DC Current Variation vs. Temperature <sup>(3)</sup>			-0.097		mA/°C
Thermal Resistance			165		°C/W



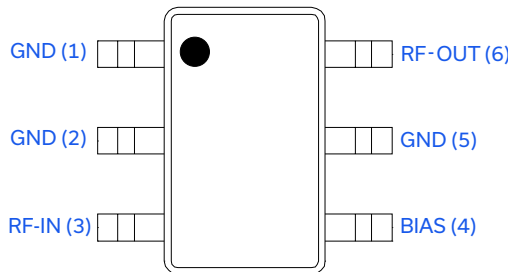
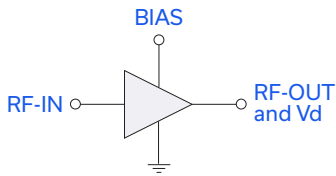


### MAXIMUM RATINGS<sup>(4)</sup>

Parameter	Ratings
Operating Temperature <sup>(5)</sup>	-40°C to 85°C
Storage Temperature	-65°C to 150°C
Channel Temperature	150°C
DC Voltage (Pin 6)	6V
Power Dissipation	390 mW
DC Current (Pin 6)	78mA
Bias Current (Pin 4)	10mA
Input Power (CW) <sup>(7)</sup>	15dBm

- (1) Measured on Mini-Circuits Characterization test board TB-533+. See Characterization Test Circuit (Fig. 1)
- (2) Specified with external current limiting of 50 mA. Capable of higher P1dB at higher currents (see Fig. 2)
- (3) Current at 85°C - Current at -45°C)/130
- (4) Permanent damage may occur if any of these limits are exceeded. These maximum ratings are not intended for continuous normal operation.
- (5) Defined with reference to ground pad temperature.
- (6) Specified DC current consumption is under small signal conditions. Current will increase with input RF Power. To maintain maximum current consumption, external DC current limiting circuits are required on Vd line.
- (7) Maximum input power is specified based external Vd current limiting of 60 mA. Maximum input power will degrade without external current limiting.

### SIMPLIFIED SCHEMATIC AND PIN DESCRIPTION



Function	Pin Number	Description (See Application Circuit, Fig. 3)
RF-IN	3	RF input pin (connect to RF-IN via blocking cap C1 and Pin 4 via L2)
RF-OUT & Vd	6	RF output pin (connected to RF-out via blocking cap C2 and supply voltage Vd via RF Choke L1)
BIAS	4	Connected to Vs via Rbias. (Connect to ground via C4 & R1)
GND	1,2,5	Connections to ground



### CHARACTERIZATION TEST CIRCUIT

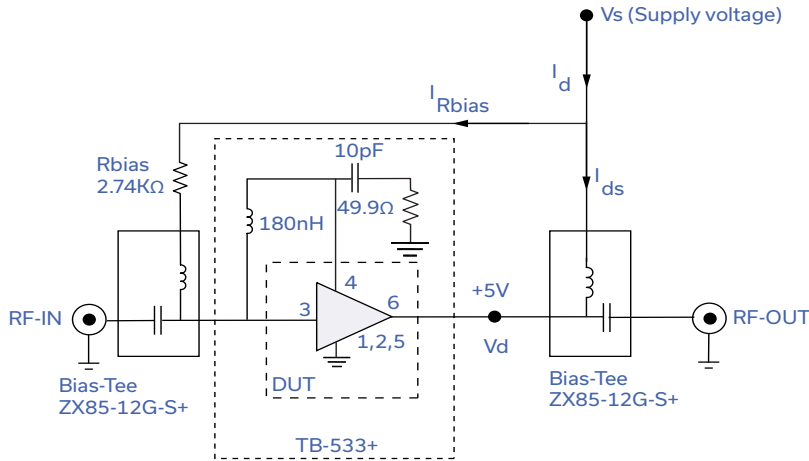
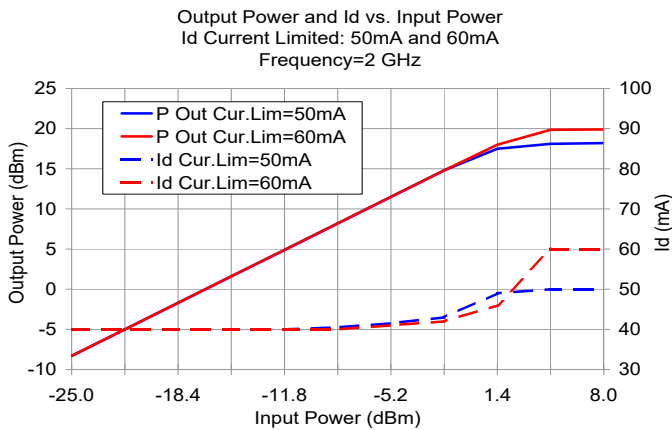


Fig 1. Block Diagram of Test Circuit used for characterization. (DUT soldered on Mini-Circuits Characterization Test Board TB-533+)

Gain, Output power at 1dB compression (P1 dB), output IP3 (OIP3) and Noise Figure measured using Agilent's N5242A PNA-X microwave network analyzer.

Conditions:

1. Gain: Pin= -25dBm
2. Output IP3 (OIP3): Two tones, spaced 1 MHz apart, 0 dBm/tone at output.
3. Vs adjusted for 5V at device (Vd), compensating loss of bias tee.



### Output Power at 1dB Compression vs. Frequency

Id Current Limited: 50mA and 60 mA

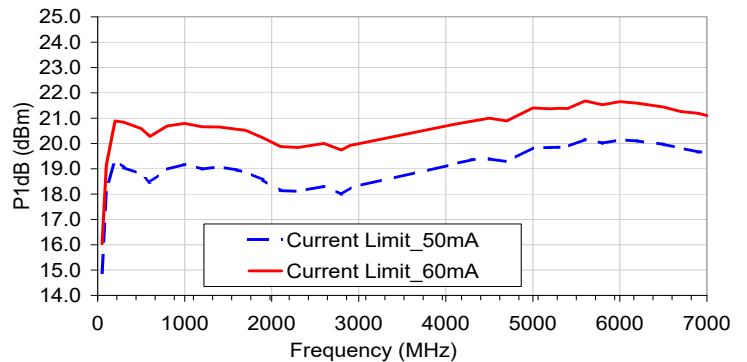


Fig 2. Output Power and Id vs. Input Power and Frequency.

Performance measured on Mini-Circuits Characterization test board TB-533+. See Characterization Test Circuit (Fig. 1) Measurements performed with current (Id) limited as noted.



LOW NOISE, HIGH IP3

# Monolithic Amplifier

## PSA-5455+

### RECOMMENDED APPLICATION CIRCUIT

(refer to evaluation board for PCB Layout and component values)

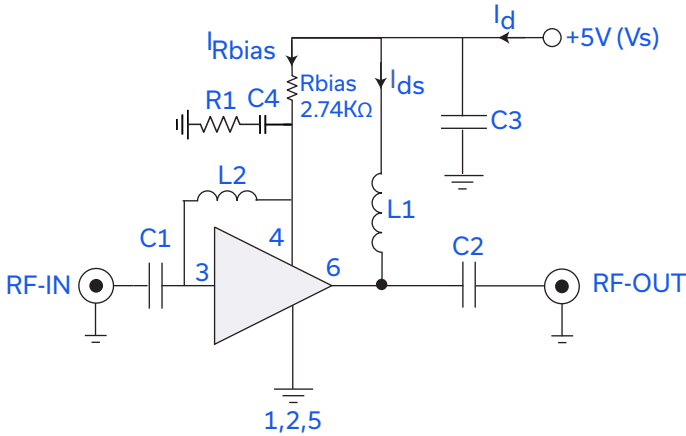


Fig 3. Recommended Application Circuit  
Note: Resistance of L1, 0.1-0.2Ω typically

### TYPICAL CURRENT (ID) AS A FUNCTION OF RBIAS (VS = 5V)

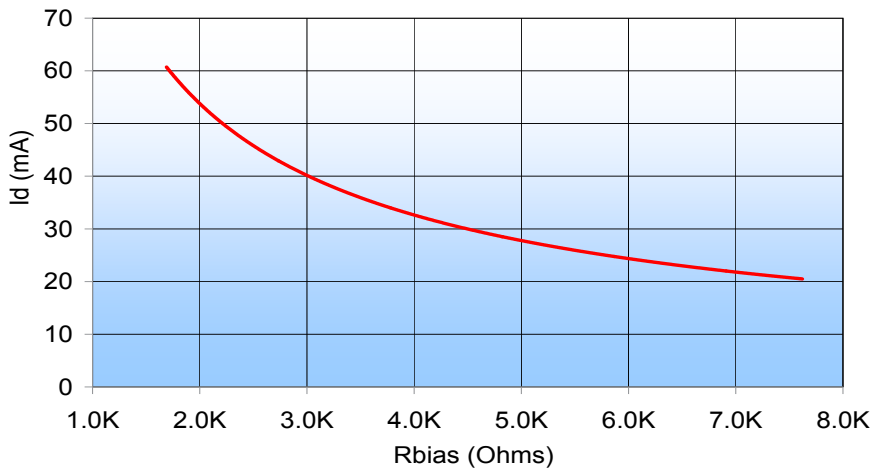
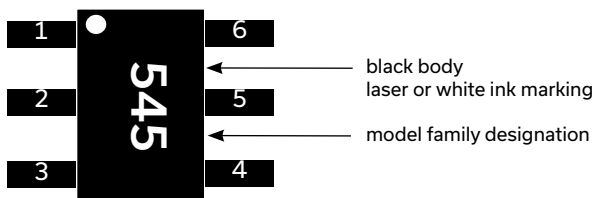


Fig 4. Id varies as a function of Rbias. The Id current range is defined based upon the specific Rbias value noted in the Application Circuit (Fig 3). Rbias may be adjusted to optimize Id for a customers' application. RF performance will vary accordingly.

### PRODUCT MARKING



Marking may contain other features or characters for internal lot control





LOW NOISE, HIGH IP3

# Monolithic Amplifier

## PSA-5455+

ADDITIONAL DETAILED TECHNICAL INFORMATION IS AVAILABLE ON OUR DASH BOARD. TO ACCESS [CLICK HERE](#)

Performance Data	Data Table Swept Graphs S-Parameter (S2P Files) Data Set (.zip file)
Case Style	CA1389 Plastic molded SOT-363 package, lead finish: Matte-Tin
Tape & Reel Standard quantities available on reel	F101 7" reels with 20, 50, 100, 200, 500, 1K, or 2K devices
Suggested Layout for PCB Design	PL-311
Evaluation Board	TB-534-5+
Environmental Ratings	ENV08T2

### ESD RATING

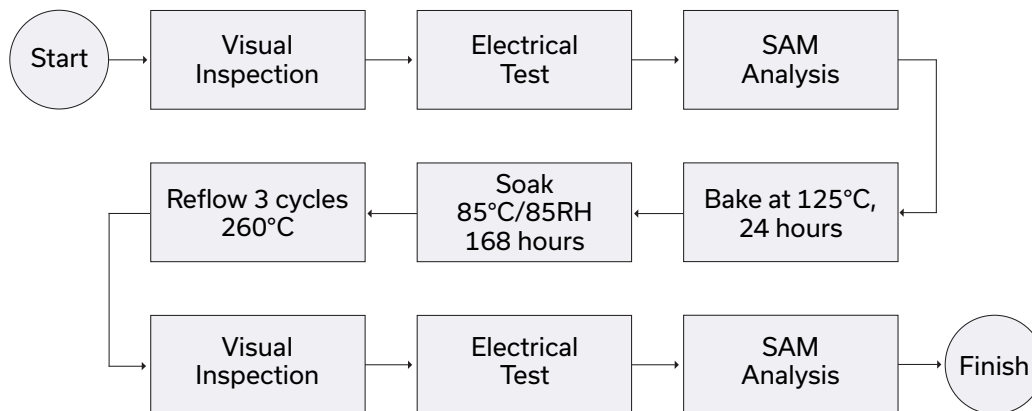
Human Body Model (HBM): Class 1A (250 to <500V) in accordance with ANSI/ESD STM 5.1 - 2001

Machine Model (MM): Class M1 (<100V) in accordance with ANSI/ESD STM5.2-1999; passes 40V

### MSL RATING

Moisture Sensitivity: MSL1 in accordance with IPC/JEDEC J-STD-020D

### MSL TEST FLOW CHART



- NOTES**
- A. Performance and quality attributes and conditions not expressly stated in this specification document are intended to be excluded and do not form a part of this specification document.
  - B. Electrical specifications and performance data contained in this specification document are based on Mini-Circuit's applicable established test performance criteria and measurement instructions.
  - C. The parts covered by this specification document are subject to Mini-Circuits standard limited warranty and terms and conditions (collectively, "Standard Terms"); Purchasers of this part are entitled to the rights and benefits contained therein. For a full statement of the standard. Terms and the exclusive rights and remedies thereunder, please visit Mini-Circuits' website at [www.minicircuits.com/MCLStore/terms.jsp](http://www.minicircuits.com/MCLStore/terms.jsp)



## Typical Performance Data

**NOTE: Use PDF Bookmarks to view DATA at required conditions**

**Definitions:**

Input Return Loss = S11 (dB)  
 Gain(Power Gain) = S21 (dB)  
 Reverse Isolation = S12 (dB)  
 Output Return Loss = S22 (dB)

TEST CONDITIONS: Vd = 5V, Rbias=2.74K ohms, Id=40 mA @ Temperature =25degC

FREQ	Gain	Isolation	Input Return Loss	Output Return Loss	Stability		IP3 Output	Noise Figure	FREQ	1dB Comp. Output (1)	
					K	Measure				Current Limit 50mA	Current Limit 60mA
(MHz)	(dB)	(dB)	(dB)	(dB)	K	Measure	(dBm)	(dB)	(MHz)	(dBm)	
50.0	23.26	33.42	13.89	9.03	1.58	0.77	28.84	2.58	50.0	14.90	16.04
100.0	24.51	30.49	12.02	12.15	1.16	0.71	28.52	1.28	100.0	18.20	19.15
200.0	24.77	29.46	10.32	15.72	1.04	0.73	29.84	0.74	200.0	19.33	20.89
300.0	24.31	28.94	9.09	17.38	1.00	0.79	30.19	0.70	300.0	19.05	20.84
500.0	22.91	28.06	7.44	19.05	0.97	0.91	30.21	0.67	500.0	18.79	20.59
600.0	22.16	27.63	6.91	19.64	0.96	0.96	30.93	0.69	600.0	18.47	20.28
800.0	20.68	26.81	6.25	20.28	0.96	1.03	31.54	0.71	800.0	18.98	20.69
1000.0	19.34	26.05	5.90	20.67	0.98	1.07	31.25	0.74	1000.0	19.18	20.79
1200.0	18.14	25.32	5.71	20.93	1.00	1.11	31.86	0.81	1200.0	18.99	20.66
1400.0	17.08	24.56	5.63	21.06	1.02	1.12	31.58	0.88	1400.0	19.08	20.65
1600.0	16.13	23.84	5.63	21.15	1.04	1.13	31.82	0.94	1600.0	18.95	20.56
1700.0	15.70	23.49	5.65	21.07	1.05	1.13	31.70	0.95	1700.0	18.87	20.52
1900.0	14.90	22.76	5.73	20.89	1.06	1.13	32.04	0.89	1900.0	18.56	20.22
2100.0	14.19	22.08	5.91	20.53	1.07	1.12	32.24	0.95	2100.0	18.14	19.88
2300.0	13.57	21.41	6.06	19.99	1.07	1.11	32.26	1.04	2300.0	18.11	19.84
2500.0	13.00	20.79	6.28	19.48	1.08	1.10	32.16	1.10	2600.0	18.31	20.00
2700.0	12.49	20.16	6.52	18.99	1.08	1.08	32.22	1.25	2800.0	17.99	19.74
2900.0	12.01	19.55	6.84	18.52	1.09	1.06	32.05	1.29	2900.0	18.25	19.92
3000.0	11.72	19.32	6.92	18.69	1.10	1.06	31.84	1.23	2900.0	18.25	19.92
3200.0	11.39	18.72	7.02	18.40	1.08	1.04	31.68	1.18	4100.0	19.19	20.76
3400.0	11.03	18.18	7.12	18.48	1.07	1.03	31.89	1.25	4300.0	19.36	20.88
3600.0	10.71	17.73	7.18	18.95	1.07	1.02	31.98	1.34	4500.0	19.39	21.00
3800.0	10.43	17.36	7.08	19.95	1.07	1.02	32.59	1.24	4700.0	19.28	20.89
4000.0	10.16	17.06	6.89	21.52	1.06	1.02	32.81	1.49	5000.0	19.83	21.40
4100.0	10.02	16.95	6.86	22.88	1.07	1.02	33.17	1.43	5200.0	19.84	21.37
4300.0	9.29	16.81	7.75	25.35	1.18	1.00	33.68	1.76	5300.0	19.85	21.39
4500.0	8.84	16.78	5.89	27.90	1.13	1.09	33.59	1.92	5400.0	19.88	21.38
4700.0	8.71	16.61	5.28	25.52	1.09	1.11	32.84	1.75	5400.0	19.88	21.38
4900.0	8.34	16.46	4.89	21.79	1.09	1.13	33.06	1.79	5600.0	20.16	21.68
5100.0	7.94	16.33	4.56	19.26	1.09	1.14	33.54	1.86	5800.0	20.01	21.53
5300.0	7.51	16.17	4.21	17.08	1.09	1.15	34.17	2.18	6000.0	20.14	21.65
5400.0	7.30	16.11	4.06	16.05	1.09	1.16	33.89	2.01	6200.0	20.10	21.59
5600.0	6.86	16.01	3.78	14.67	1.10	1.17	34.37	2.18	6500.0	19.97	21.44
5800.0	6.45	15.88	3.51	13.40	1.09	1.17	34.99	2.34	6700.0	19.82	21.26
6000.0	6.04	15.73	3.28	12.37	1.09	1.17	34.84	2.52	6900.0	19.66	21.19
6200.0	5.64	15.60	3.07	11.50	1.08	1.17	34.73	2.62	7000.0	19.67	21.10
6400.0	5.23	15.49	2.90	10.69	1.08	1.17	34.68	2.70			
6600.0	4.86	15.40	2.75	10.09	1.08	1.16	34.24	2.88			
6800.0	4.48	15.27	2.59	9.47	1.07	1.16	34.36	3.19			
7000.0	4.10	15.24	2.46	8.89	1.07	1.15	34.64	3.52			

(1) Current is externally limited during P1dB measurements. Unit is capable of higher output power if current is not limited.

## Typical Performance Data

### Definitions:

Input Return Loss = S11 (dB)

Gain(Power Gain) = S21 (dB)

Reverse Isolation = S12 (dB)

Output Return Loss = S22 (dB)

TEST CONDITIONS: Vd = 5V, Rbias=2.74K ohms, Id=47 mA @ Temperature = -45degC

FREQ	Gain	Isolation	Input Return Loss	Output Return Loss	Stability		IP3 Output	Noise Figure
					K	Measure		
(MHz)	(dB)	(dB)	(dB)	(dB)	K	Measure	(dBm)	(dB)
50.0	23.97	31.71	15.00	10.01	1.32	0.72	29.95	2.09
100.0	24.99	30.40	14.57	13.67	1.14	0.69	29.77	1.03
200.0	25.11	29.57	12.41	18.31	1.05	0.71	31.09	0.62
300.0	24.65	29.14	10.58	20.60	1.03	0.75	31.43	0.55
500.0	23.29	28.50	8.27	22.19	1.02	0.87	31.57	0.55
600.0	22.56	28.01	7.57	22.69	1.01	0.91	32.27	0.55
800.0	21.12	27.22	6.72	23.03	1.02	0.98	32.77	0.56
1000.0	19.80	26.39	6.25	23.08	1.03	1.03	32.50	0.58
1200.0	18.61	25.54	6.00	23.45	1.04	1.06	33.02	0.65
1400.0	17.56	24.69	5.86	23.71	1.04	1.07	32.87	0.68
1600.0	16.61	23.90	5.84	24.03	1.05	1.08	33.10	0.75
1700.0	16.18	23.53	5.84	24.28	1.06	1.09	33.02	0.72
1900.0	15.40	22.75	5.91	24.37	1.06	1.08	33.38	0.69
2100.0	14.70	22.02	6.11	23.96	1.07	1.08	33.45	0.72
2300.0	14.07	21.32	6.25	23.62	1.07	1.07	33.58	0.81
2500.0	13.50	20.61	6.45	22.83	1.06	1.05	33.44	0.82
2700.0	13.00	19.94	6.76	22.04	1.06	1.03	33.44	0.92
2900.0	12.53	19.31	7.10	20.93	1.06	1.01	33.29	1.03
3000.0	12.20	19.13	7.30	21.10	1.08	1.01	33.07	0.92
3200.0	11.92	18.45	7.25	20.82	1.05	0.99	33.06	0.87
3400.0	11.56	17.92	7.44	20.27	1.04	0.98	33.10	0.92
3600.0	11.23	17.45	7.44	20.99	1.04	0.97	33.24	1.02
3800.0	10.96	17.09	7.33	22.39	1.04	0.97	33.58	1.04
4000.0	10.69	16.76	7.11	24.25	1.03	0.97	33.88	1.08
4100.0	10.55	16.66	7.00	25.98	1.04	0.97	34.06	1.12
4300.0	10.03	16.46	7.68	27.97	1.10	0.95	34.37	1.25
4500.0	9.30	16.51	6.00	24.91	1.09	1.04	34.44	1.51
4700.0	9.22	16.32	5.33	21.98	1.05	1.06	33.93	1.40
4900.0	8.86	16.16	4.90	18.75	1.05	1.07	34.07	1.46
5100.0	8.43	16.03	4.52	16.80	1.05	1.08	34.56	1.40
5300.0	8.00	15.91	4.20	15.23	1.05	1.09	34.98	1.58
5400.0	7.80	15.81	4.03	14.31	1.05	1.09	34.85	1.61
5600.0	7.36	15.69	3.74	13.21	1.05	1.10	35.18	1.70
5800.0	6.94	15.58	3.45	12.13	1.05	1.10	35.52	1.78
6000.0	6.53	15.44	3.22	11.24	1.04	1.10	35.27	1.95
6200.0	6.15	15.30	3.04	10.64	1.04	1.10	35.15	2.02
6400.0	5.74	15.19	2.84	9.85	1.03	1.10	35.06	2.25
6600.0	5.38	15.09	2.68	9.34	1.03	1.09	34.70	2.39
6800.0	5.03	14.97	2.53	8.84	1.03	1.09	35.18	2.32
7000.0	4.65	14.87	2.38	8.28	1.02	1.07	35.08	2.82



## Typical Performance Data

### Definitions:

Input Return Loss = S11 (dB)

Gain(Power Gain) = S21 (dB)

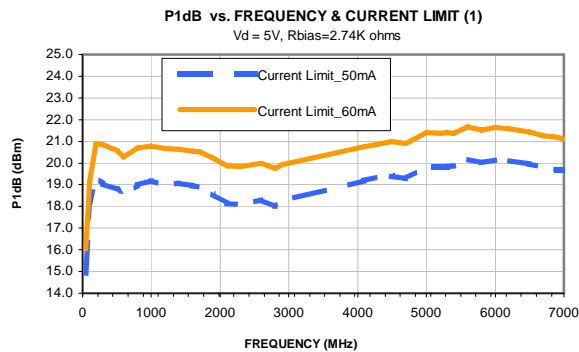
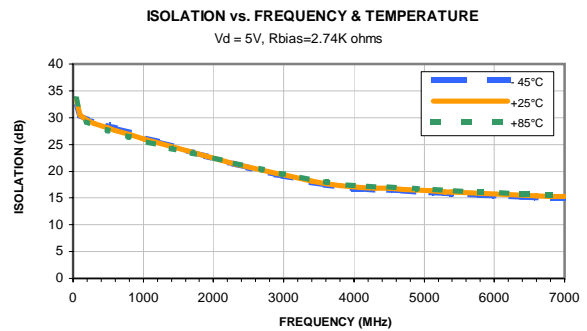
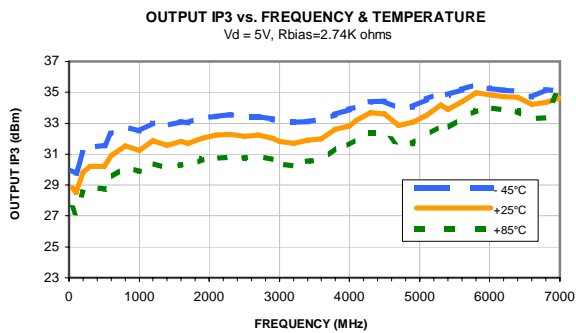
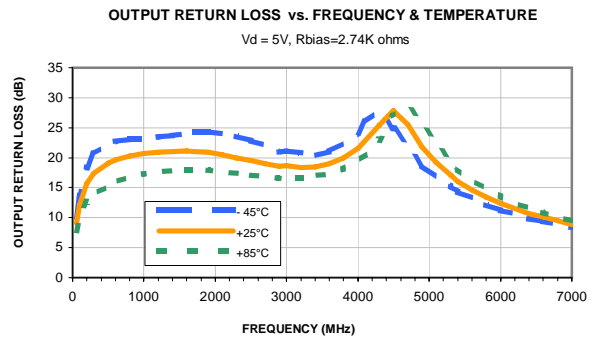
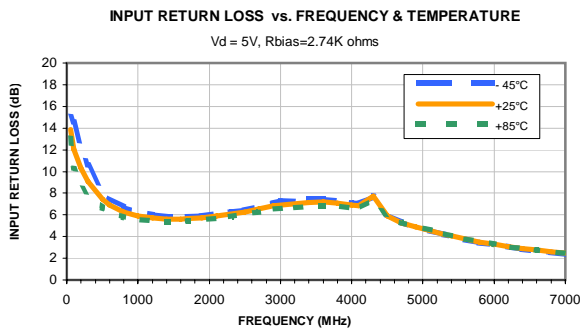
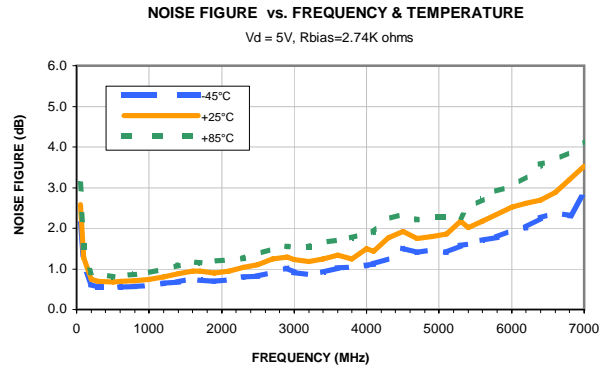
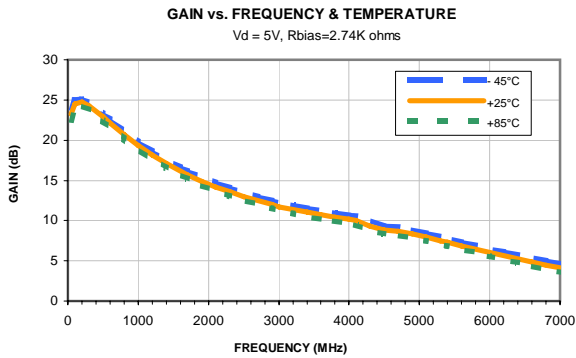
Reverse Isolation = S12 (dB)

Output Return Loss = S22 (dB)

TEST CONDITIONS: Vd = 5V, Rbias=2.74K ohms, Id=34 mA @ Temperature = +85degC

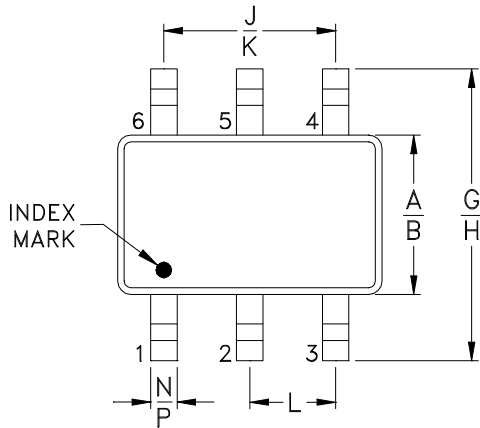
FREQ	Gain	Isolation	Input Return Loss	Output Return Loss	Stability		IP3 Output	Noise Figure
					K	Measure		
(MHz)	(dB)	(dB)	(dB)	(dB)	K	Measure	(dBm)	(dB)
50.0	22.42	33.47	13.01	7.81	1.64	0.75	27.47	3.08
100.0	23.86	30.55	10.25	10.16	1.18	0.71	27.16	1.54
200.0	24.27	29.23	8.71	12.68	1.02	0.74	28.51	0.92
300.0	23.83	28.52	7.85	13.82	0.96	0.80	28.86	0.87
500.0	22.42	27.58	6.64	15.24	0.91	0.93	28.76	0.81
600.0	21.67	27.15	6.30	15.88	0.90	0.98	29.50	0.84
800.0	20.19	26.35	5.81	16.70	0.91	1.06	30.20	0.86
1000.0	18.84	25.63	5.54	17.31	0.93	1.11	29.88	0.91
1200.0	17.64	24.93	5.43	17.64	0.96	1.14	30.42	0.99
1400.0	16.58	24.27	5.37	17.82	0.98	1.16	30.09	1.08
1600.0	15.64	23.68	5.41	18.00	1.02	1.16	30.33	1.18
1700.0	15.21	23.35	5.43	17.99	1.02	1.17	30.15	1.15
1900.0	14.41	22.76	5.52	17.94	1.05	1.16	30.65	1.20
2100.0	13.71	22.13	5.68	17.64	1.07	1.16	30.76	1.21
2300.0	13.08	21.50	5.85	17.40	1.08	1.15	30.79	1.26
2500.0	12.51	20.88	6.08	17.03	1.09	1.13	30.75	1.37
2700.0	11.99	20.31	6.26	16.82	1.10	1.12	30.87	1.49
2900.0	11.50	19.72	6.56	16.58	1.11	1.10	30.66	1.56
3000.0	11.23	19.50	6.63	16.63	1.12	1.09	30.39	1.53
3200.0	10.89	18.93	6.68	16.62	1.10	1.09	30.24	1.55
3400.0	10.52	18.41	6.77	17.04	1.10	1.08	30.52	1.64
3600.0	10.19	17.99	6.83	17.33	1.10	1.07	30.64	1.72
3800.0	9.91	17.61	6.78	18.11	1.09	1.07	31.41	1.76
4000.0	9.62	17.33	6.65	19.52	1.10	1.07	31.58	1.86
4100.0	9.47	17.21	6.58	20.62	1.11	1.08	31.94	1.91
4300.0	8.78	17.10	7.40	22.92	1.22	1.05	32.41	2.23
4500.0	8.32	17.09	5.90	26.88	1.19	1.13	32.46	2.34
4700.0	8.20	16.93	5.29	28.53	1.15	1.16	31.53	2.20
4900.0	7.86	16.75	4.91	25.69	1.14	1.18	31.69	2.28
5100.0	7.47	16.58	4.59	22.29	1.14	1.19	32.19	2.28
5300.0	7.06	16.47	4.27	19.49	1.14	1.20	32.86	2.28
5400.0	6.84	16.41	4.08	18.17	1.14	1.21	32.64	2.52
5600.0	6.42	16.28	3.78	16.31	1.14	1.22	33.34	2.71
5800.0	6.02	16.11	3.55	14.74	1.13	1.22	33.79	2.91
6000.0	5.60	16.01	3.31	13.52	1.13	1.23	33.99	3.04
6200.0	5.16	15.90	3.06	12.35	1.12	1.23	33.90	3.26
6400.0	4.77	15.80	2.91	11.66	1.12	1.23	33.76	3.58
6600.0	4.37	15.73	2.77	10.84	1.13	1.23	33.29	3.67
6800.0	3.93	15.65	2.60	10.02	1.13	1.22	33.36	3.87
7000.0	3.55	15.59	2.50	9.45	1.13	1.21	35.44	4.14

## Typical Performance Curves

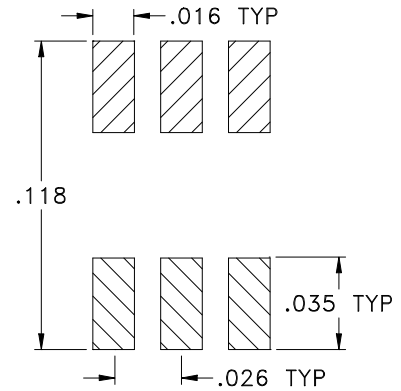


(1) Current is externally limited during P1dB measurements. Unit is capable of higher output power if current is not limited.

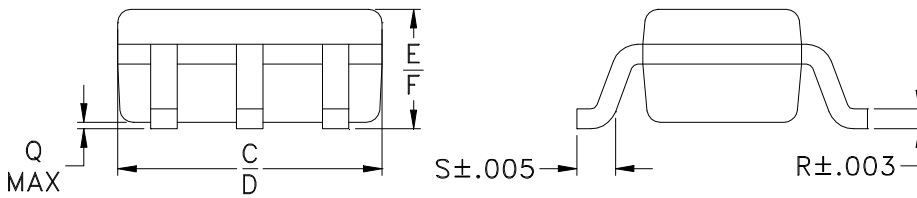
### Outline Dimensions



### PCB Land Pattern



Suggested Layout,  
Tolerance to be within  $\pm .002$



CASE #	A	B	C	D	E	F	G	H	J	K
CA1389	.045 (1.15)	.053 (1.35)	.073 (1.85)	.089 (2.25)	.031 (0.80)	.039 (1.00)	.079 (2.00)	.091 (2.30)	.051 (1.30)	.051 (1.30)

CASE #	L	M	N	P	Q	R	S	T	WT. GRAM
CA1389	.026 (0.65)	-	.006 (0.15)	.012 (0.30)	.004 (0.09)	.007 (0.165)	.012 (0.31)	-	.010

Dimensions are in inches (mm). Tolerances: 2Pl.  $\pm .01$ ; 3Pl.  $\pm .005$

#### Notes:

- Case material: Plastic.
- Termination finish:  
For RoHS Case Styles: Matte Tin plate.
- Primary dimensions are in millimeters.



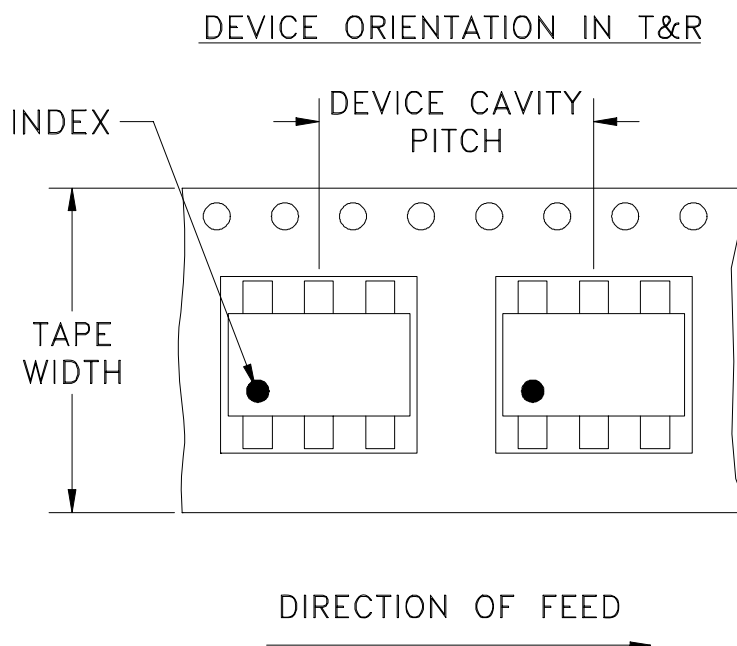
INTERNET <http://www.minicircuits.com>

P.O. Box 350166, Brooklyn, New York 11235-0003 (718) 934-4500 Fax (718) 332-4661

Distribution Centers NORTH AMERICA 800-654-7949 • 417-335-5935 • Fax 417-335-5945 • EUROPE 44-1252-832600 • Fax 44-1252-837010

Mini-Circuits ISO 9001 & ISO 14001 Certified

# Tape & Reel Packaging TR-F101



Tape Width, mm	Device Cavity Pitch, mm	Reel Size, inches	Devices per Reel	
8	4	7	Small quantity standards (see note)	20
				50
				100
				200
				500
				1000
		7	Standard	2000

Note: Please Consult individual model data sheet to determine device per reel availability.

Mini-Circuits carrier tape materials provide protection from ESD (Electro-Static Discharge) during handling and transportation. Tapes are static dissipative and comply with industry standards EIA-481/EIA-541.

Go to: [www.minicircuits.com/pages/pdfs/tape.pdf](http://www.minicircuits.com/pages/pdfs/tape.pdf)

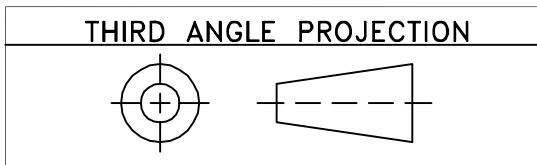


INTERNET <http://www.minicircuits.com>

P.O. Box 350166, Brooklyn, New York 11235-0003 (718) 934-4500 Fax (718) 332-4661

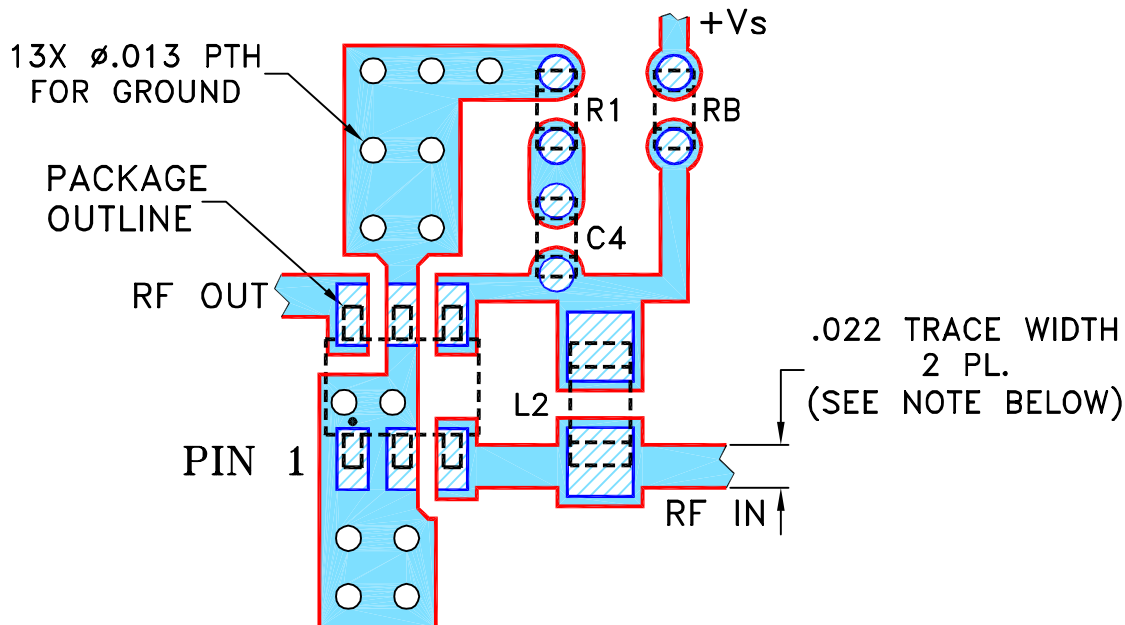
Distribution Centers NORTH AMERICA 800-654-7949 • 417-335-5935 • Fax 417-335-5945 • EUROPE 44-1252-832600 • Fax 44-1252-837010

Mini-Circuits ISO 9001 & ISO 14001 Certified



REVISIONS					
REV	ECN No.	DESCRIPTION	DATE	DR	AUTH
OR	M123889	NEW RELEASE	08/18/09	MMG	DJ
A	M124525	MODIFIED DRAWING, CHG. TB IN TITLE	09/22/09	MMG	DJ

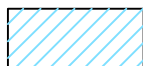
SUGGESTED MOUNTING CONFIGURATION FOR CA1389 CASE STYLE, "06AM01" PIN CODE



- NOTES: 1. TRACE WIDTH IS SHOWN FOR ROGERS RO4350B WITH DIELECTRIC THICKNESS .010" ± .001"; COPPER: 1/2 OZ. EACH SIDE. FOR OTHER MATERIALS TRACE WIDTH MAY NEED TO BE MODIFIED.
2. 0402 AND 0603 CHIP COMPONENT FOOTPRINTS ARE SHOWN FOR REFERENCE. VALUES OF COMPONENTS AS PER TB-534+.
3. BOTTOM SIDE OF THE PCB IS CONTINUOUS GROUND PLANE.



DENOTES PCB COPPER LAYOUT WITH SMOBC (SOLDER MASK OVER BARE COPPER)



DENOTES COPPER LAND PATTERN FREE OF SOLDER MASK

UNLESS OTHERWISE SPECIFIED	INITIALS	DATE
DIMENSIONS ARE IN INCHES	DRAWN MMG	08/13/09
TOLERANCES ON:	CHECKED AV	08/17/09
2 PL DECIMALS ±	APPROVED DJ	08/18/09
3 PL DECIMALS ± .005		
ANGLES ±		
FRACTIONS ±		



Mini-Circuits®

13 Neptune Avenue  
Brooklyn NY 11235

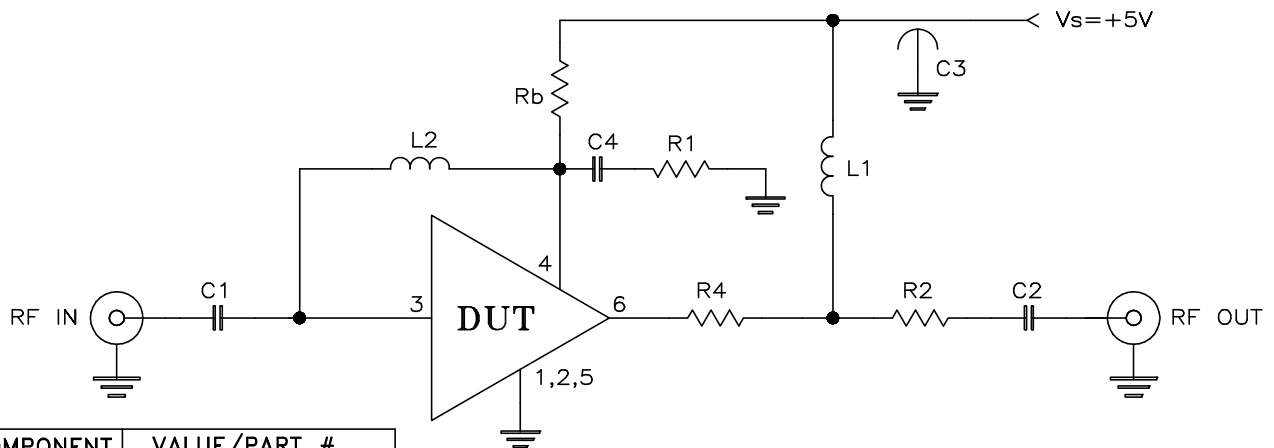
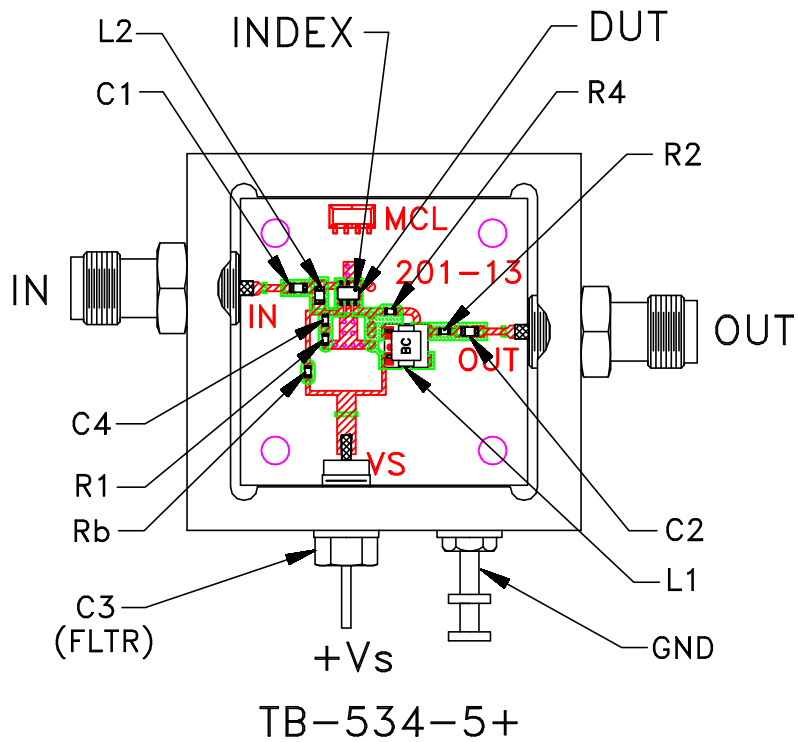
PL, 06AM01, CA1389, TB-534+

Mini-Circuits®  
THIS DOCUMENT AND ITS CONTENTS ARE THE PROPERTY OF MINI-CIRCUITS. EXCEPT FOR USE EXPRESSLY GRANTED, IN WRITING, TO ITS VENDORS, VENDEE AND THE UNITED STATES GOVERNMENT, MINI-CIRCUITS RESERVES ALL PROPRIETARY DESIGN, USE, MANUFACTURING AND REPRODUCTION RIGHTS THERETO. THESE CONTENTS SHALL NOT BE USED, DUPLICATED OR DISCLOSED TO ANY OUTSIDE PARTY, IN WHOLE OR IN PART, WITHOUT WRITTEN PERMISSION OF MINI-CIRCUITS.

ASHEETA1.DWG REV:A DATE:01/12/95

SIZE	CODE IDENT	DRAWING NO:	REV:
A	15542	98-PL-311	A
FILE:	98PL311	SCALE:	10:1
		SHEET:	1 OF 1

# Evaluation Board and Circuit




COMPONENT	VALUE/PART #
R1	49.9 $\Omega$
R2, R4	0 $\Omega$
Rb	2.74 k $\Omega$
C1, C2	1000 pF
C3 (FLTR)	1500 pF
C4	10 pF
L1	TCCH-80+, MCL
L2	180 nH
DUT	PSA-5455+, MCL

Schematic Diagram

## Notes:

1. 50 Ohm SMA Female connectors.
2. PCB Material: R04350 or equivalent,  
Dielectric Constant=3.5, Thickness=.010 inch.

 **Mini-Circuits®**

All Mini-Circuits products are manufactured under exacting quality assurance and control standards, and are capable of meeting published specifications after being subjected to any or all of the following physical and environmental test.

Specification	Test/Inspection Condition	Reference/Spec
Operating Temperature	-45° to 85°C or -40° to 85°C Ambient Environment	Individual Model Data Sheet
Storage Temperature	-65° to 150° C Ambient Environment	Individual Model Data Sheet
Thermal Shock	-55° to 100°C, 100 cycles	MIL-STD-202, Method 107, Condition A-3, except +100°C
Mechanical Shock	1.5Kg, 0.5 ms, 5 shock pulses, Y1 direction only	MIL-STD-883, Method 2002, Condition B, except Y1 direction only
Vibration (Variable Frequency)	50g peak	MIL-STD-883, Method 2007, Condition B
Autoclave	15 psig, 100% RH, 121°C, 96 hours	JESD22-A102, Condition C
HAST	130°C, 85% RH, 96 hours	JESD22-A110
Solderability	10X Magnification	J-STD-002, Para 4.2.5, Test S, 95% Coverage
Solder Reflow Heat	Sn-Pb Eutetic Process: 240°C peak Pb-Free Process: 260°C peak	J-STD-020, Table 4-1, 4-2 and 5-2; Figure 5-1
Moisture Sensitivity: Level 1	Bake at 125°C for 24 hours Soak at 85°C/85% RH for 168 hours, Reflow 3 cycles at 260°C peak	J-STD-020
Marking Resistance to Solvents	Isopropyl alcohol + mineral spirits at 25°C; terpene defluxer at 25°C; distilled water + proylene glycol monomethyl ether +	MIL-STD-202, Method 215



All Mini-Circuits products are manufactured under exacting quality assurance and control standards, and are capable of meeting published specifications after being subjected to any or all of the following physical and environmental test.

Specification	Test/Inspection Condition	Reference/Spec
	monoethanolamine at 63°C to 70°C	