



LOW NOISE, HIGH IP3

Monolithic Amplifier

PSA-5451+

Mini-Circuits

50Ω 0.05 to 4 GHz

THE BIG DEAL

- Single Positive Supply Voltage, +3V, Id=30mA
- Ultra Low Noise Figure, 0.7 dB typ. at 0.5GHz
- High IP3, 29 dBm typ. 1GHz
- Gain, 18.8 dB typ. at 1GHz
- Output Power, up to +16.7 dBm typ.
- Micro-miniature size SOT-363 package
- Aqueous washable



Generic photo used for illustration purposes only

CASE STYLE: CA1389

+RoHS Compliant

The +Suffix identifies RoHS Compliance. See our web site for RoHS Compliance methodologies and qualifications

APPLICATIONS

- Cellular
- ISM
- GSM
- WCDMA
- LTE
- WiMAX
- WLAN
- UNII and HIPERLAN

PRODUCT OVERVIEW

Mini-Circuits PSA-5451+ is a E-PHEMT* based Ultra-Low Noise MMIC Amplifier operating from 50 MHz to 4 GHz with a unique combination of low noise and high IP3 making this amplifier ideal for sensitive receiver applications. This design operates on a single 3V supply at only 30mA and is internally matched to 50 ohms.

KEY FEATURES

| Feature | Advantages |
|-------------------------|--|
| Ultra Low Noise, 0.7 dB | Outstanding Noise Figure, measured in a 50 Ohm environment without any external matching |
| High IP3, 29 dBm | Combining Low Noise and High IP3 makes this MMIC amplifier ideal for Low Noise Receiver Front End (RFE) because it gives the user advantages at both ends of the dynamic range: sensitivity & two-tone spur-free dynamic range |
| Low Current, 30mA | At only 30mA, the PSA-5451+ is ideal for remote applications with limited available power or densely packed applications where thermal management is critical. |
| Broad Band | Operating over a broadband the PSA-5451+ covers the primary wireless communications bands: Cellular, PCS, LTE, WiMAX |
| Internally Matched | No external matching elements required to achieve the advertised noise and output power over the full band |
| SOT-363 Package | Small size, industry standard package |
| Max Input Power, +15dBm | Ruggedized design operates up to input powers of +15dBm without the need of an external limiter |
| High Reliability | Low, small signal operating current of 30 mA nominal maintains junction temperatures typically below 100°C at 85°C ground lead temperature |

* Enhancement mode pseudomorphic High Electron Mobility Transistor.

REV. D
ECO-011279
PSA-5451+
MCL NY
220103





LOW NOISE, HIGH IP3

Monolithic Amplifier

PSA-5451+

ELECTRICAL SPECIFICATIONS⁽¹⁾ AT 25°C, Z₀=50Ω, (REFER TO CHARACTERIZATION CIRCUIT, FIG. 1)

| Parameter | Condition (GHz) | Min. | Typ. | Max. | Units |
|--|-----------------|------|-------|------|-------|
| Frequency Range | | 0.05 | | 4.0 | GHz |
| DC Voltage (V _d) | | | 3.0 | | V |
| DC Current (I _d) ⁽⁶⁾ | | 20 | 30 | 40 | mA |
| DC Current (I _{Rbias}) | | | 1.6 | | mA |
| Noise Figure | 0.05 | | 2.1 | — | dB |
| | 0.5 | | 0.7 | — | |
| | 1.0 | | 0.8 | — | |
| | 2.0 | | 1.0 | 1.3 | |
| | 3.0 | | 1.3 | — | |
| | 4.0 | | 1.5 | — | |
| Gain | 0.05 | — | 22.6 | — | dB |
| | 0.5 | — | 22.3 | — | |
| | 1.0 | — | 18.8 | — | |
| | 2.0 | 12.6 | 14.0 | 15.4 | |
| | 3.0 | — | 11.3 | — | |
| | 4.0 | — | 9.6 | — | |
| Input Return Loss | 0.05-0.5 | | 8.8 | | dB |
| | 0.5-4.0 | | 6.5 | | |
| Output Return Loss | 0.05-0.5 | | 8.3 | | dB |
| | 0.5-1.0 | | 17.0 | | |
| | 1.0-4.0 | | 20.0 | | |
| Output IP3 | 0.05 | | 26.3 | | dBm |
| | 0.5 | | 28.3 | | |
| | 1.0 | | 29.1 | | |
| | 2.0 | | 30.2 | | |
| | 3.0 | | 30.1 | | |
| | 4.0 | | 29.8 | | |
| Output Power @ 1 dB compression (P _{1dB}) ⁽²⁾ | 0.05 | | 10.5 | | dBm |
| | 0.5 | | 16.7 | | |
| | 1.0 | | 16.8 | | |
| | 2.0 | | 16.2 | | |
| | 3.0 | | 16.2 | | |
| | 4.0 | | 16.7 | | |
| DC Current Variation vs. Temperature ⁽³⁾ | | | -0.05 | | mA/°C |
| Thermal Resistance | | | 165 | | °C/W |





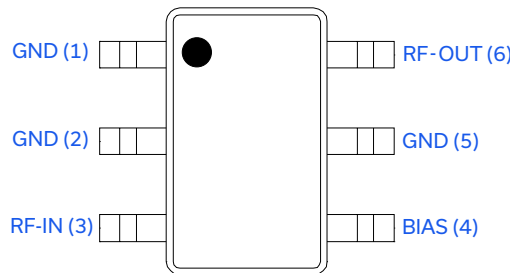
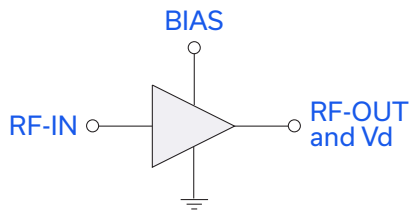
Monolithic Amplifier

MAXIMUM RATINGS⁽⁴⁾

| Parameter | Ratings |
|--------------------------------------|----------------|
| Operating Temperature ⁽⁵⁾ | -40°C to 85°C |
| Storage Temperature | -65°C to 150°C |
| Channel Temperature | 150°C |
| DC Voltage (Pin 6) | 5V |
| Power Dissipation | 390 mW |
| DC Current (Pin 6) | 80mA |
| Bias Current (Pin 4) | 10mA |
| Input Power (CW) ⁽⁷⁾ | 15dBm |

- (1) Measured on Mini-Circuits Characterization test board TB-533+. See Characterization Test Circuit (Fig. 1)
- (2) P1dB specified with external current limiting of 40 mA; Capable of higher P1dB at higher current (see Fig.2)
- (3) (Current at 85°C - Current at -45°C)/130
- (4) Permanent damage may occur if any of these limits are exceeded. These maximum ratings are not intended for continuous normal operation.
- (5) Defined with reference to ground pad temperature.
- (6) Specified DC current consumption is under small signal conditns. Curent will increase with input RF Power. To maintain maximum current consumption, external DC current limiting circuits are required on Vd line.
- (7) Maximum input power is specified based upon external Vd current limiting of 60 mA. Maximum input power will degrade without external current limiting.

SIMPLIFIED SCHEMATIC AND PIN DESCRIPTION



| Function | Pin Number | Description (See Application Circuit, Fig. 3) |
|-------------|------------|---|
| RF-IN | 3 | RF input pin (connect to RF-IN via blocking cap C1 and Pin 4 via L2) |
| RF-OUT & Vd | 6 | RF output pin (connected to RF-out via blocking cap C2 and supply voltage Vd via RF Choke L1) |
| BIAS | 4 | Connected to Vs via Rbias. (Connect to ground via C4 & R1) |
| GND | 1,2,5 | Connections to ground |



CHARACTERIZATION TEST CIRCUIT

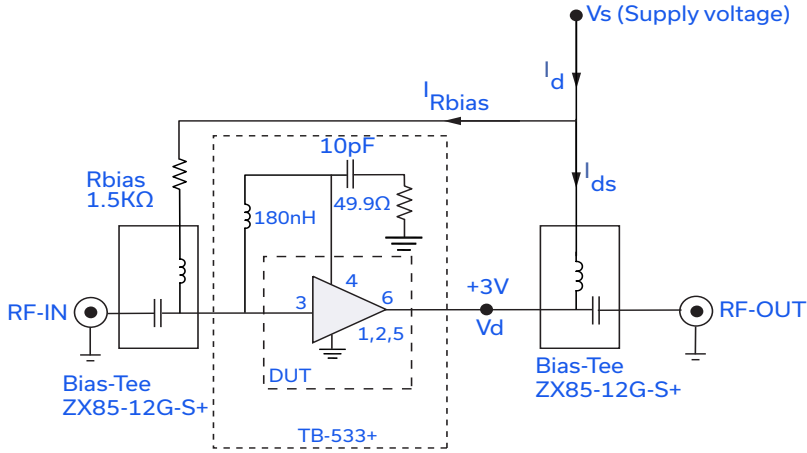


Fig 1. Block Diagram of Test Circuit used for characterization. (DUT soldered on Mini-Circuits Characterization Test Board TB-533+) Gain, Output power at 1dB compression (P1 dB), output IP3 (OIP3) and Noise Figure measured using Agilent's N5242A PNA-X microwave network analyzer.

Conditions:

1. Gain: Pin= -25dBm
2. Output IP3 (OIP3): Two tones, spaced 1 MHz apart, 0 dBm/tone at output.
3. Vs adjusted for 3V at device (Vd), compensating loss of bias tee.

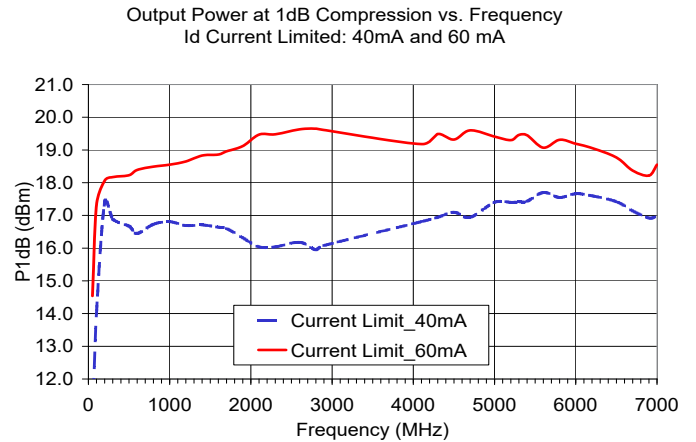
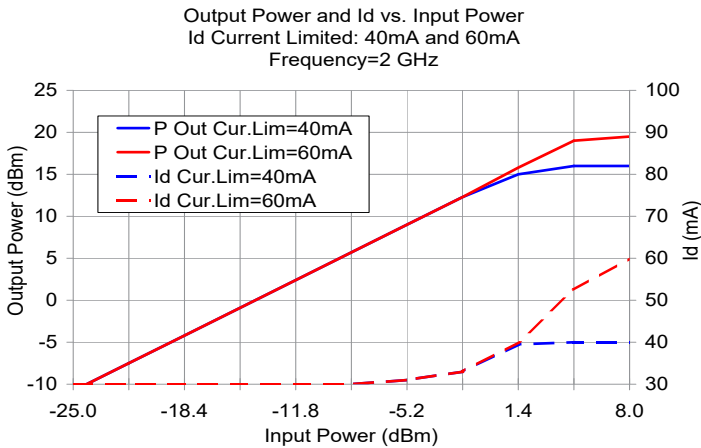


Fig 2. Output Power and Id vs. Input Power and Frequency.

Performance measured on Mini-Circuits Characterization test board TB-533+. See Characterization Test Circuit (Fig. 1) Measurements performed with current (Id) limited as noted.



LOW NOISE, HIGH IP3

Monolithic Amplifier

PSA-5451+

RECOMMENDED APPLICATION CIRCUIT

(refer to evaluation board for PCB Layout and component values)

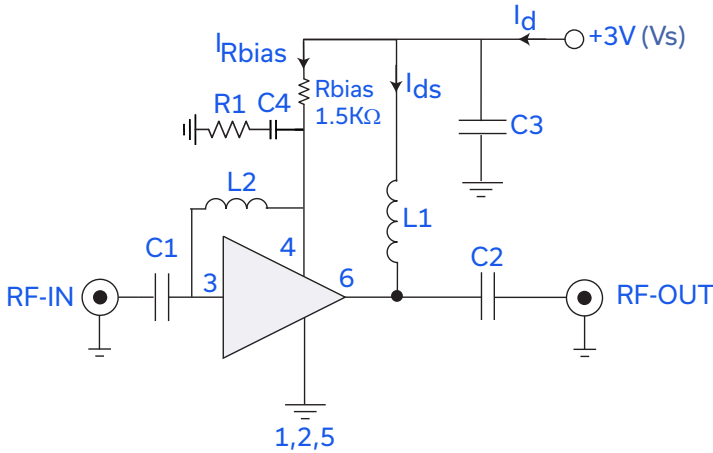


Fig 3. Recommended Application Circuit
Note: Resistance of L1, 0.1-0.2Ω typically

TYPICAL CURRENT (I_D) AS A FUNCTION OF R_{BIAS} ($V_S = 3V$)

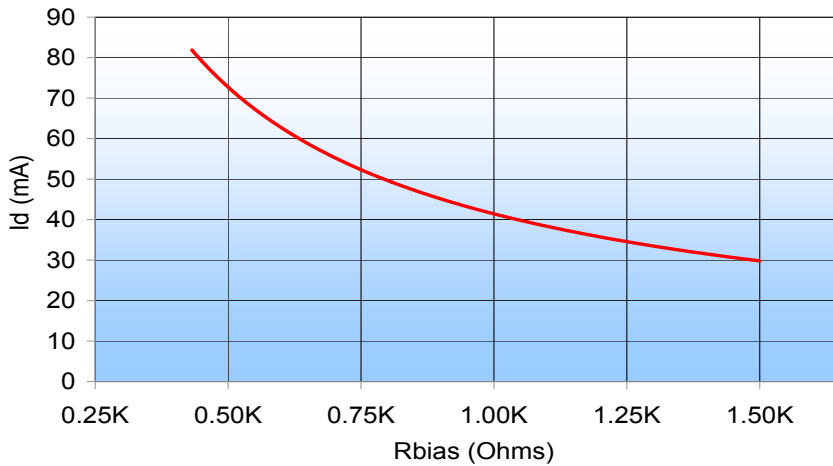
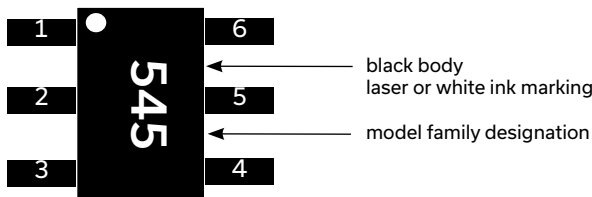


Fig 4. I_D varies as a function of R_{BIAS} . The I_D current range is defined based upon the specific R_{BIAS} value noted in the Application Circuit (Fig 3). R_{BIAS} may be adjusted to optimize I_D for a customers' application. RF performance will vary accordingly.

PRODUCT MARKING



Marking may contain other features or characters for internal lot control





LOW NOISE, HIGH IP3

Monolithic Amplifier

PSA-5451+

ADDITIONAL DETAILED TECHNICAL INFORMATION IS AVAILABLE ON OUR DASH BOARD. TO ACCESS [CLICK HERE](#)

| | |
|--|--|
| Performance Data | Data Table Swept Graphs S-Parameter (S2P Files) Data Set (.zip file) |
| Case Style | CA1389 Plastic molded SOT-363 package, lead finish: Matte-Tin |
| Tape & Reel Standard quantities available on reel | F101 7" reels with 20, 50, 100, 200, 500, 1K, or 2K devices |
| Suggested Layout for PCB Design | PL-311 |
| Evaluation Board | TB-534-1+ |
| Environmental Ratings | ENV08T2 |

ESD RATING

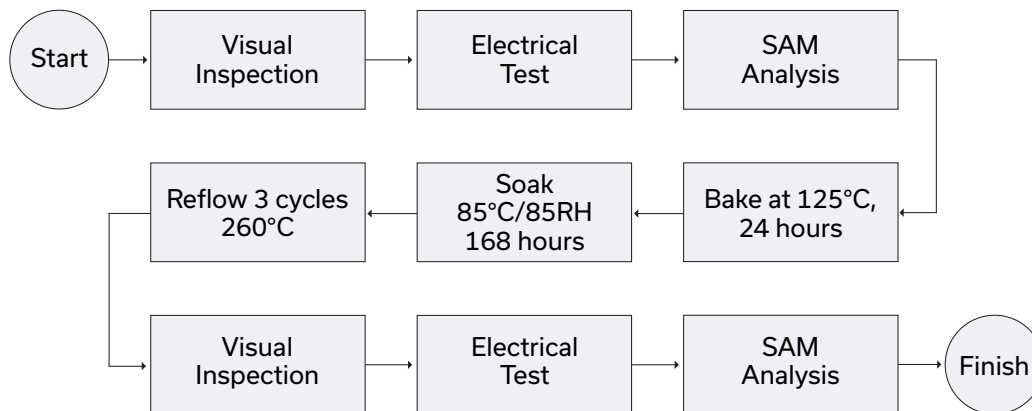
Human Body Model (HBM): Class 1A (250 to <500V) in accordance with ANSI/ESD STM 5.1 - 2001

Machine Model (MM): Class M1 (<100V) in accordance with ANSI/ESD STM5.2-1999; passes 40V

MSL RATING

Moisture Sensitivity: MSL1 in accordance with IPC/JEDEC J-STD-020D

MSL TEST FLOW CHART



- NOTES**
- A. Performance and quality attributes and conditions not expressly stated in this specification document are intended to be excluded and do not form a part of this specification document.
 - B. Electrical specifications and performance data contained in this specification document are based on Mini-Circuit's applicable established test performance criteria and measurement instructions.
 - C. The parts covered by this specification document are subject to Mini-Circuits standard limited warranty and terms and conditions (collectively, "Standard Terms"); Purchasers of this part are entitled to the rights and benefits contained therein. For a full statement of the standard. Terms and the exclusive rights and remedies thereunder, please visit Mini-Circuits' website at www.minicircuits.com/MCLStore/terms.jsp



Typical Performance Data

NOTE: Use PDF Bookmarks to view DATA at required conditions

Definitions:

Input Return Loss = -S11 (dB)

Gain(Power Gain) = S21 (dB)

Reverse Isolation = -S12 (dB)

Output Return Loss = -S22 (dB)

TEST CONDITIONS: Vd = 3V, Rbias=1.5K ohms, Id=30 mA @ Temperature = +25degC

| FREQ | Gain | Isolation | Input Return Loss | Output Return Loss | Stability | | IP-3 Output | Noise Figure | FREQ | 1dB Comp. Output (1) | |
|--------|-------|-----------|-------------------|--------------------|-----------|---------|-------------|--------------|--------|----------------------|--------------------|
| | | | | | K | Measure | | | | Current Limit 40mA | Current Limit 60mA |
| (MHz) | (dB) | (dB) | (dB) | (dB) | K | Measure | (dBm) | (dB) | (MHz) | (dBm) | |
| 50.0 | 22.59 | 31.62 | 12.50 | 8.36 | 1.40 | 0.72 | 26.86 | 2.00 | 50.0 | 10.70 | 14.54 |
| 100.0 | 23.90 | 30.16 | 10.81 | 11.22 | 1.16 | 0.72 | 26.59 | 1.13 | 100.0 | 14.00 | 17.31 |
| 200.0 | 24.17 | 28.93 | 9.49 | 14.25 | 1.03 | 0.74 | 27.75 | 0.74 | 200.0 | 17.40 | 18.06 |
| 300.0 | 23.75 | 28.38 | 8.50 | 15.56 | 0.98 | 0.80 | 28.03 | 0.70 | 300.0 | 16.89 | 18.17 |
| 500.0 | 22.40 | 27.41 | 7.10 | 16.99 | 0.93 | 0.92 | 28.04 | 0.66 | 500.0 | 16.67 | 18.23 |
| 600.0 | 21.67 | 26.99 | 6.63 | 17.55 | 0.92 | 0.97 | 28.72 | 0.68 | 600.0 | 16.45 | 18.39 |
| 800.0 | 20.23 | 26.18 | 6.02 | 18.24 | 0.92 | 1.04 | 29.44 | 0.71 | 800.0 | 16.73 | 18.49 |
| 1000.0 | 18.91 | 25.45 | 5.69 | 18.73 | 0.94 | 1.09 | 29.23 | 0.77 | 1000.0 | 16.81 | 18.55 |
| 1200.0 | 17.72 | 24.74 | 5.51 | 19.04 | 0.96 | 1.12 | 29.72 | 0.83 | 1200.0 | 16.69 | 18.65 |
| 1400.0 | 16.67 | 24.02 | 5.42 | 19.33 | 0.98 | 1.13 | 29.48 | 0.89 | 1400.0 | 16.71 | 18.83 |
| 1600.0 | 15.73 | 23.41 | 5.43 | 19.54 | 1.01 | 1.14 | 29.74 | 0.96 | 1600.0 | 16.64 | 18.86 |
| 1700.0 | 15.31 | 23.04 | 5.44 | 19.56 | 1.02 | 1.14 | 29.51 | 0.97 | 1700.0 | 16.60 | 18.96 |
| 1900.0 | 14.53 | 22.41 | 5.52 | 19.63 | 1.03 | 1.14 | 29.96 | 1.01 | 1900.0 | 16.32 | 19.12 |
| 2100.0 | 13.82 | 21.78 | 5.67 | 19.50 | 1.05 | 1.14 | 30.09 | 0.96 | 2100.0 | 16.04 | 19.47 |
| 2300.0 | 13.20 | 21.10 | 5.82 | 19.28 | 1.05 | 1.13 | 30.05 | 1.05 | 2300.0 | 16.04 | 19.48 |
| 2500.0 | 12.65 | 20.53 | 6.03 | 19.02 | 1.07 | 1.11 | 30.02 | 1.12 | 2600.0 | 16.18 | 19.63 |
| 2700.0 | 12.14 | 19.90 | 6.25 | 18.73 | 1.07 | 1.10 | 30.13 | 1.20 | 2800.0 | 15.95 | 19.65 |
| 2900.0 | 11.67 | 19.30 | 6.56 | 18.42 | 1.08 | 1.08 | 29.86 | 1.18 | 2900.0 | 16.08 | 19.61 |
| 3000.0 | 11.38 | 19.10 | 6.63 | 18.60 | 1.09 | 1.08 | 29.62 | 1.23 | 4100.0 | 16.81 | 19.18 |
| 3200.0 | 11.06 | 18.51 | 6.71 | 18.46 | 1.07 | 1.06 | 29.42 | 1.40 | 4300.0 | 16.94 | 19.49 |
| 3400.0 | 10.70 | 17.97 | 6.83 | 18.66 | 1.07 | 1.05 | 29.71 | 1.50 | 4500.0 | 17.10 | 19.32 |
| 3600.0 | 10.39 | 17.54 | 6.87 | 19.12 | 1.06 | 1.04 | 29.83 | 1.44 | 4700.0 | 16.94 | 19.60 |
| 3800.0 | 10.10 | 17.18 | 6.81 | 20.14 | 1.06 | 1.04 | 30.71 | 1.63 | 5000.0 | 17.40 | 19.41 |
| 4000.0 | 9.84 | 16.87 | 6.63 | 21.56 | 1.06 | 1.04 | 30.91 | 1.55 | 5200.0 | 17.40 | 19.30 |
| 4100.0 | 9.69 | 16.77 | 6.61 | 22.68 | 1.07 | 1.04 | 31.35 | 1.58 | 5300.0 | 17.41 | 19.46 |
| 4300.0 | 8.98 | 16.65 | 7.47 | 24.21 | 1.18 | 1.01 | 31.81 | 1.86 | 5400.0 | 17.43 | 19.45 |
| 4500.0 | 8.51 | 16.62 | 5.70 | 24.85 | 1.13 | 1.11 | 31.89 | 1.66 | 5600.0 | 17.70 | 19.07 |
| 4700.0 | 8.38 | 16.47 | 5.11 | 22.84 | 1.10 | 1.13 | 30.80 | 1.86 | 5800.0 | 17.55 | 19.31 |
| 4900.0 | 8.01 | 16.34 | 4.72 | 20.07 | 1.10 | 1.14 | 31.12 | 1.87 | 6000.0 | 17.66 | 19.19 |
| 5100.0 | 7.60 | 16.21 | 4.40 | 17.97 | 1.10 | 1.15 | 31.66 | 2.05 | 6200.0 | 17.60 | 19.06 |
| 5300.0 | 7.17 | 16.08 | 4.06 | 16.04 | 1.10 | 1.16 | 32.50 | 2.02 | 6500.0 | 17.42 | 18.77 |
| 5400.0 | 6.96 | 16.03 | 3.91 | 15.14 | 1.10 | 1.17 | 32.16 | 2.18 | 6700.0 | 17.14 | 18.37 |
| 5600.0 | 6.50 | 15.92 | 3.63 | 13.78 | 1.10 | 1.17 | 33.17 | 2.42 | 6900.0 | 16.92 | 18.22 |
| 5800.0 | 6.11 | 15.80 | 3.38 | 12.73 | 1.09 | 1.18 | 33.81 | 2.44 | 7000.0 | 16.98 | 18.55 |
| 6000.0 | 5.68 | 15.68 | 3.16 | 11.71 | 1.09 | 1.17 | 34.30 | 2.65 | | | |
| 6200.0 | 5.28 | 15.56 | 2.96 | 10.93 | 1.09 | 1.17 | 34.17 | 2.70 | | | |
| 6400.0 | 4.88 | 15.48 | 2.81 | 10.22 | 1.09 | 1.17 | 34.24 | 2.82 | | | |
| 6600.0 | 4.50 | 15.37 | 2.65 | 9.62 | 1.08 | 1.16 | 33.23 | 3.15 | | | |
| 6800.0 | 4.11 | 15.27 | 2.52 | 9.06 | 1.08 | 1.15 | 33.35 | 3.03 | | | |
| 7000.0 | 3.73 | 15.22 | 2.39 | 8.52 | 1.08 | 1.14 | 33.91 | 3.45 | | | |

(1) Current is externally limited during P1dB measurements. Unit is capable of higher output power if current is not limited.

Typical Performance Data

Definitions:

Input Return Loss = -S11 (dB)

Gain(Power Gain) = S21 (dB)

Reverse Isolation = -S12 (dB)

Output Return Loss = -S22 (dB)

TEST CONDITIONS: Vd = 3V, Rbias=1.5K ohms, Id=36 mA @ Temperature = -45degC

| FREQ | Gain | Isolation | Input Return Loss | Output Return Loss | Stability | | IP-3 Output | Noise Figure |
|--------|-------|-----------|-------------------|--------------------|-----------|---------|-------------|--------------|
| (MHz) | (dB) | (dB) | (dB) | (dB) | K | Measure | (dBm) | (dB) |
| 50.0 | 23.42 | 32.46 | 13.52 | 9.55 | 1.44 | 0.76 | 28.14 | 1.49 |
| 100.0 | 24.48 | 30.00 | 13.12 | 13.12 | 1.13 | 0.70 | 28.26 | 0.87 |
| 200.0 | 24.60 | 29.05 | 11.51 | 17.29 | 1.04 | 0.72 | 29.45 | 0.53 |
| 300.0 | 24.17 | 28.73 | 10.03 | 19.14 | 1.02 | 0.77 | 29.84 | 0.52 |
| 500.0 | 22.85 | 27.86 | 8.00 | 20.26 | 0.98 | 0.87 | 29.91 | 0.50 |
| 600.0 | 22.14 | 27.48 | 7.35 | 20.54 | 0.98 | 0.92 | 30.65 | 0.50 |
| 800.0 | 20.74 | 26.62 | 6.53 | 20.74 | 0.98 | 0.99 | 31.44 | 0.52 |
| 1000.0 | 19.44 | 25.82 | 6.08 | 20.73 | 0.99 | 1.03 | 31.36 | 0.52 |
| 1200.0 | 18.27 | 25.02 | 5.82 | 21.03 | 1.00 | 1.06 | 31.80 | 0.62 |
| 1400.0 | 17.23 | 24.27 | 5.69 | 21.24 | 1.02 | 1.08 | 31.55 | 0.66 |
| 1600.0 | 16.29 | 23.51 | 5.66 | 21.66 | 1.03 | 1.09 | 31.84 | 0.72 |
| 1700.0 | 15.87 | 23.14 | 5.65 | 21.88 | 1.03 | 1.09 | 31.61 | 0.69 |
| 1900.0 | 15.09 | 22.42 | 5.71 | 22.18 | 1.04 | 1.09 | 32.09 | 0.61 |
| 2100.0 | 14.39 | 21.70 | 5.91 | 22.29 | 1.05 | 1.08 | 32.24 | 0.71 |
| 2300.0 | 13.77 | 21.01 | 6.04 | 22.44 | 1.05 | 1.08 | 32.17 | 0.73 |
| 2500.0 | 13.21 | 20.33 | 6.22 | 22.25 | 1.05 | 1.06 | 32.07 | 0.80 |
| 2700.0 | 12.72 | 19.70 | 6.52 | 21.93 | 1.05 | 1.04 | 32.19 | 0.88 |
| 2900.0 | 12.26 | 19.09 | 6.86 | 21.11 | 1.06 | 1.02 | 31.84 | 0.95 |
| 3000.0 | 11.92 | 18.89 | 7.06 | 21.32 | 1.08 | 1.02 | 31.67 | 0.94 |
| 3200.0 | 11.65 | 18.25 | 6.99 | 21.23 | 1.05 | 1.01 | 31.47 | 0.89 |
| 3400.0 | 11.30 | 17.68 | 7.17 | 20.84 | 1.04 | 0.99 | 31.70 | 0.93 |
| 3600.0 | 10.97 | 17.25 | 7.17 | 21.71 | 1.04 | 0.98 | 31.76 | 0.99 |
| 3800.0 | 10.70 | 16.86 | 7.07 | 22.97 | 1.03 | 0.97 | 32.68 | 0.90 |
| 4000.0 | 10.43 | 16.53 | 6.86 | 24.30 | 1.03 | 0.97 | 32.90 | 1.08 |
| 4100.0 | 10.29 | 16.43 | 6.76 | 25.18 | 1.03 | 0.97 | 33.36 | 1.05 |
| 4300.0 | 9.78 | 16.27 | 7.38 | 25.10 | 1.10 | 0.95 | 33.70 | 1.24 |
| 4500.0 | 9.02 | 16.31 | 5.84 | 21.83 | 1.09 | 1.04 | 34.12 | 1.48 |
| 4700.0 | 8.95 | 16.14 | 5.16 | 19.68 | 1.05 | 1.06 | 32.73 | 1.32 |
| 4900.0 | 8.58 | 16.00 | 4.75 | 17.15 | 1.05 | 1.06 | 33.28 | 1.28 |
| 5100.0 | 8.14 | 15.88 | 4.39 | 15.48 | 1.05 | 1.08 | 33.92 | 1.46 |
| 5300.0 | 7.73 | 15.77 | 4.08 | 14.16 | 1.06 | 1.09 | 34.95 | 1.48 |
| 5400.0 | 7.51 | 15.69 | 3.89 | 13.31 | 1.05 | 1.09 | 34.52 | 1.53 |
| 5600.0 | 7.07 | 15.58 | 3.61 | 12.31 | 1.05 | 1.09 | 35.67 | 1.66 |
| 5800.0 | 6.64 | 15.48 | 3.34 | 11.33 | 1.05 | 1.09 | 36.53 | 1.71 |
| 6000.0 | 6.23 | 15.36 | 3.12 | 10.53 | 1.04 | 1.09 | 37.14 | 1.97 |
| 6200.0 | 5.84 | 15.21 | 2.94 | 9.98 | 1.04 | 1.09 | 37.33 | 1.94 |
| 6400.0 | 5.43 | 15.11 | 2.76 | 9.26 | 1.04 | 1.08 | 37.61 | 2.14 |
| 6600.0 | 5.06 | 15.02 | 2.60 | 8.78 | 1.04 | 1.08 | 36.27 | 2.39 |
| 6800.0 | 4.70 | 14.90 | 2.46 | 8.32 | 1.03 | 1.07 | 36.30 | 2.63 |
| 7000.0 | 4.33 | 14.85 | 2.31 | 7.80 | 1.03 | 1.05 | 37.03 | 2.56 |

Typical Performance Data

Definitions:

Input Return Loss = -S11 (dB)

Gain(Power Gain) = S21 (dB)

Reverse Isolation = -S12 (dB)

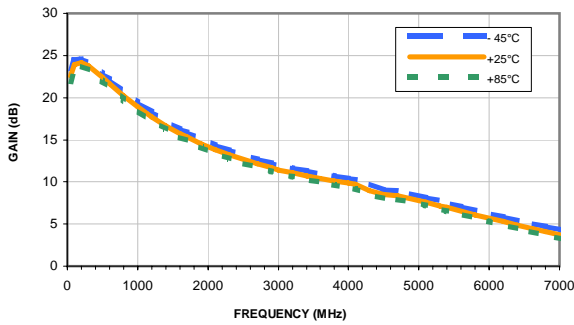
Output Return Loss = -S22 (dB)

TEST CONDITIONS: Vd = 3V, Rbias=1.5K ohms, Id=27 mA @ Temperature = +85degC

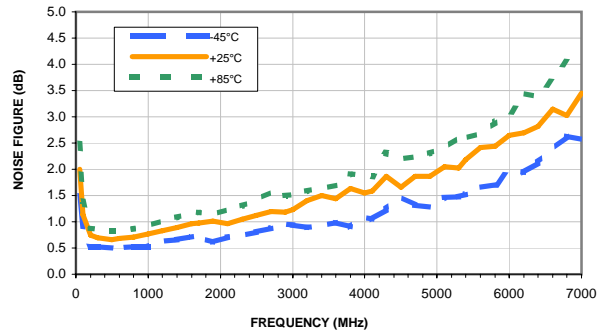
| FREQ | Gain | Isolation | Input Return Loss | Output Return Loss | Stability | | IP-3 Output | Noise Figure |
|--------|-------|-----------|-------------------|--------------------|-----------|---------|-------------|--------------|
| | | | | | K | Measure | | |
| (MHz) | (dB) | (dB) | (dB) | (dB) | K | Measure | (dBm) | (dB) |
| 50.0 | 21.85 | 31.76 | 11.83 | 7.36 | 1.46 | 0.70 | 26.03 | 2.49 |
| 100.0 | 23.34 | 30.40 | 9.38 | 9.57 | 1.19 | 0.72 | 25.52 | 1.39 |
| 200.0 | 23.75 | 28.93 | 8.09 | 11.81 | 1.02 | 0.75 | 26.59 | 0.88 |
| 300.0 | 23.33 | 28.10 | 7.39 | 12.82 | 0.94 | 0.81 | 26.86 | 0.85 |
| 500.0 | 21.98 | 27.01 | 6.34 | 14.14 | 0.88 | 0.94 | 26.76 | 0.83 |
| 600.0 | 21.24 | 26.51 | 6.03 | 14.76 | 0.86 | 0.99 | 27.44 | 0.83 |
| 800.0 | 19.80 | 25.70 | 5.60 | 15.59 | 0.87 | 1.07 | 28.18 | 0.87 |
| 1000.0 | 18.47 | 25.04 | 5.36 | 16.27 | 0.89 | 1.12 | 27.87 | 0.93 |
| 1200.0 | 17.29 | 24.41 | 5.24 | 16.69 | 0.92 | 1.15 | 28.40 | 1.03 |
| 1400.0 | 16.23 | 23.82 | 5.20 | 17.00 | 0.95 | 1.17 | 28.15 | 1.08 |
| 1600.0 | 15.30 | 23.20 | 5.23 | 17.26 | 0.98 | 1.17 | 28.48 | 1.16 |
| 1700.0 | 14.88 | 22.93 | 5.25 | 17.30 | 0.99 | 1.18 | 28.25 | 1.18 |
| 1900.0 | 14.09 | 22.34 | 5.33 | 17.38 | 1.02 | 1.18 | 28.71 | 1.13 |
| 2100.0 | 13.39 | 21.78 | 5.50 | 17.27 | 1.04 | 1.17 | 28.88 | 1.23 |
| 2300.0 | 12.77 | 21.16 | 5.67 | 17.15 | 1.06 | 1.16 | 28.83 | 1.31 |
| 2500.0 | 12.22 | 20.57 | 5.87 | 16.93 | 1.07 | 1.14 | 28.88 | 1.41 |
| 2700.0 | 11.69 | 19.99 | 6.06 | 16.88 | 1.08 | 1.13 | 29.02 | 1.56 |
| 2900.0 | 11.22 | 19.46 | 6.35 | 16.71 | 1.09 | 1.11 | 28.74 | 1.50 |
| 3000.0 | 10.96 | 19.23 | 6.42 | 16.83 | 1.10 | 1.11 | 28.51 | 1.53 |
| 3200.0 | 10.60 | 18.69 | 6.47 | 16.95 | 1.09 | 1.10 | 28.37 | 1.59 |
| 3400.0 | 10.25 | 18.16 | 6.54 | 17.34 | 1.09 | 1.09 | 28.72 | 1.63 |
| 3600.0 | 9.92 | 17.77 | 6.62 | 17.77 | 1.09 | 1.08 | 28.82 | 1.70 |
| 3800.0 | 9.64 | 17.38 | 6.56 | 18.59 | 1.09 | 1.08 | 29.67 | 1.92 |
| 4000.0 | 9.35 | 17.11 | 6.41 | 20.01 | 1.09 | 1.09 | 29.85 | 1.88 |
| 4100.0 | 9.19 | 17.03 | 6.35 | 21.09 | 1.10 | 1.09 | 30.30 | 1.87 |
| 4300.0 | 8.48 | 16.93 | 7.16 | 23.00 | 1.23 | 1.06 | 30.76 | 2.30 |
| 4500.0 | 8.04 | 16.89 | 5.67 | 25.34 | 1.18 | 1.14 | 30.74 | 2.20 |
| 4700.0 | 7.90 | 16.74 | 5.07 | 24.65 | 1.14 | 1.17 | 29.79 | 2.25 |
| 4900.0 | 7.56 | 16.61 | 4.70 | 22.34 | 1.14 | 1.19 | 30.02 | 2.30 |
| 5100.0 | 7.18 | 16.47 | 4.38 | 19.94 | 1.14 | 1.20 | 30.52 | 2.40 |
| 5300.0 | 6.76 | 16.35 | 4.08 | 17.75 | 1.14 | 1.21 | 31.24 | 2.61 |
| 5400.0 | 6.54 | 16.30 | 3.91 | 16.68 | 1.14 | 1.22 | 30.97 | 2.60 |
| 5600.0 | 6.13 | 16.19 | 3.64 | 15.16 | 1.14 | 1.23 | 31.80 | 2.68 |
| 5800.0 | 5.72 | 16.05 | 3.43 | 13.82 | 1.14 | 1.22 | 32.46 | 2.90 |
| 6000.0 | 5.30 | 15.91 | 3.21 | 12.69 | 1.13 | 1.23 | 32.86 | 3.05 |
| 6200.0 | 4.86 | 15.83 | 2.99 | 11.71 | 1.13 | 1.23 | 32.83 | 3.45 |
| 6400.0 | 4.46 | 15.72 | 2.85 | 11.02 | 1.13 | 1.22 | 32.79 | 3.38 |
| 6600.0 | 4.07 | 15.64 | 2.70 | 10.31 | 1.13 | 1.22 | 31.92 | 3.69 |
| 6800.0 | 3.65 | 15.57 | 2.57 | 9.63 | 1.13 | 1.21 | 32.02 | 4.04 |
| 7000.0 | 3.26 | 15.51 | 2.46 | 9.05 | 1.14 | 1.20 | 34.37 | 4.11 |

Typical Performance Curves

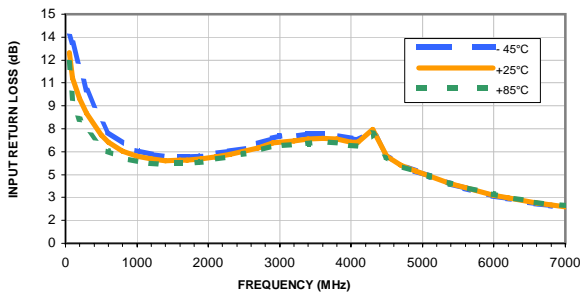
GAIN vs. FREQUENCY & TEMPERATURE
Vd = 3V, Rbias=1.5K Ohms



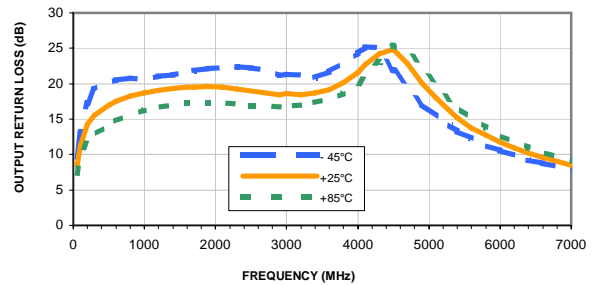
NOISE FIGURE vs. FREQUENCY & TEMPERATURE
Vd = 3V, Rbias=1.5K Ohms



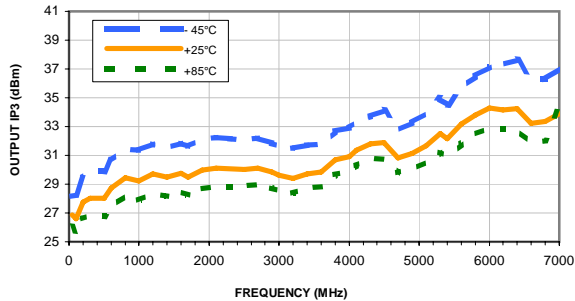
INPUT RETURN LOSS vs. FREQUENCY & TEMPERATURE
Vd = 3V, Rbias=1.5K Ohms



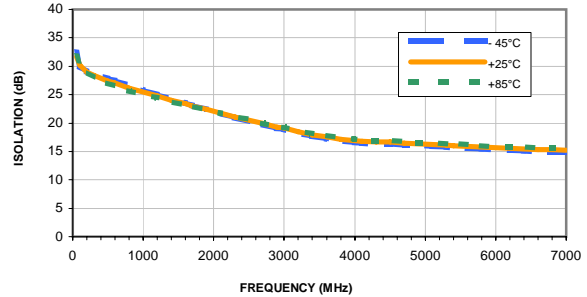
OUTPUT RETURN LOSS vs. FREQUENCY & TEMPERATURE
Vd = 3V, Rbias=1.5K Ohms



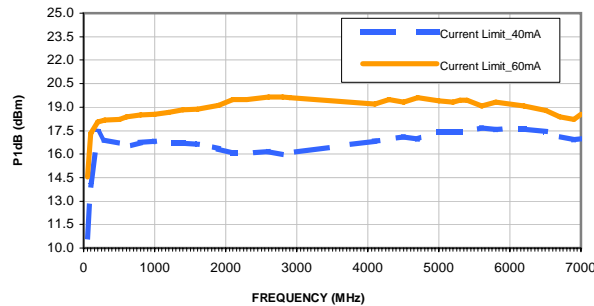
OUTPUT IP3 vs. FREQUENCY & TEMPERATURE
Vd = 3V, Rbias=1.5K Ohms



ISOLATION vs. FREQUENCY & TEMPERATURE
Vd = 3V, Rbias=1.5K Ohms

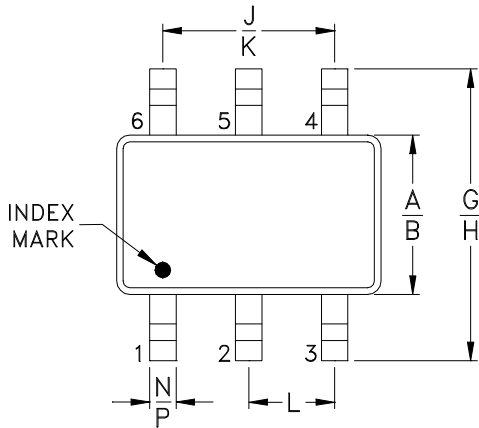


P1dB vs. FREQUENCY & CURRENT LIMIT (1)
Vd = 3V, Rbias=1.5K Ohms

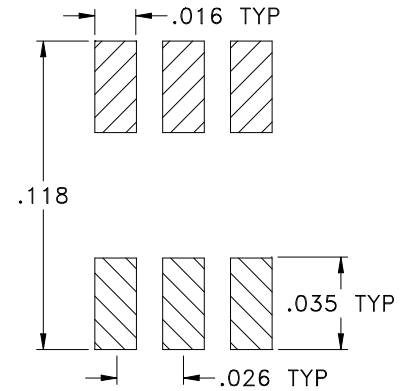


(1) Current is externally limited during P1dB measurements. Unit is capable of higher output power if current is not limited.

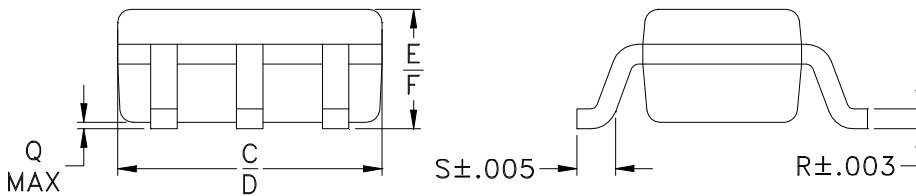
Outline Dimensions



PCB Land Pattern



Suggested Layout,
Tolerance to be within $\pm .002$



| CASE # | A | B | C | D | E | F | G | H | J | K |
|--------|----------------|----------------|----------------|----------------|----------------|----------------|----------------|----------------|----------------|----------------|
| CA1389 | .045 (1.15) | .053 (1.35) | .073 (1.85) | .089 (2.25) | .031 (0.80) | .039 (1.00) | .079 (2.00) | .091 (2.30) | .051 (1.30) | .051 (1.30) |

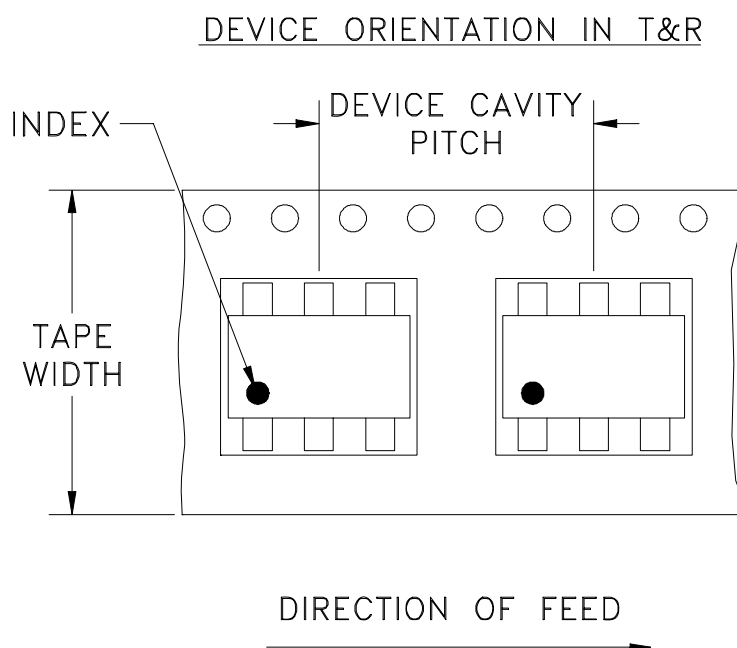
| CASE # | L | M | N | P | Q | R | S | T | WT. GRAM |
|--------|----------------|---|----------------|----------------|----------------|-----------------|----------------|---|----------|
| CA1389 | .026 (0.65) | - | .006 (0.15) | .012 (0.30) | .004 (0.09) | .007 (0.165) | .012 (0.31) | - | .010 |

Dimensions are in inches (mm). Tolerances: 2Pl. $\pm .01$; 3Pl. $\pm .005$

Notes:

- Case material: Plastic.
- Termination finish:
For RoHS Case Styles: Matte Tin plate.
- Primary dimensions are in millimeters.

Tape & Reel Packaging TR-F101



| Tape Width, mm | Device Cavity Pitch, mm | Reel Size, inches | Devices per Reel | |
|----------------|-------------------------|-------------------|-------------------------------------|------|
| 8 | 4 | 7 | Small quantity standards (see note) | 20 |
| | | | | 50 |
| | | | | 100 |
| | | | | 200 |
| | | | | 500 |
| | | | | 1000 |
| | | 7 | Standard | 2000 |

Note: Please Consult individual model data sheet to determine device per reel availability.

Mini-Circuits carrier tape materials provide protection from ESD (Electro-Static Discharge) during handling and transportation. Tapes are static dissipative and comply with industry standards EIA-481/EIA-541.

Go to: www.minicircuits.com/pages/pdfs/tape.pdf



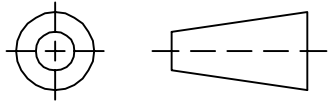
INTERNET <http://www.minicircuits.com>

P.O. Box 350166, Brooklyn, New York 11235-0003 (718) 934-4500 Fax (718) 332-4661

Distribution Centers NORTH AMERICA 800-654-7949 • 417-335-5935 • Fax 417-335-5945 • EUROPE 44-1252-832600 • Fax 44-1252-837010

Mini-Circuits ISO 9001 & ISO 14001 Certified

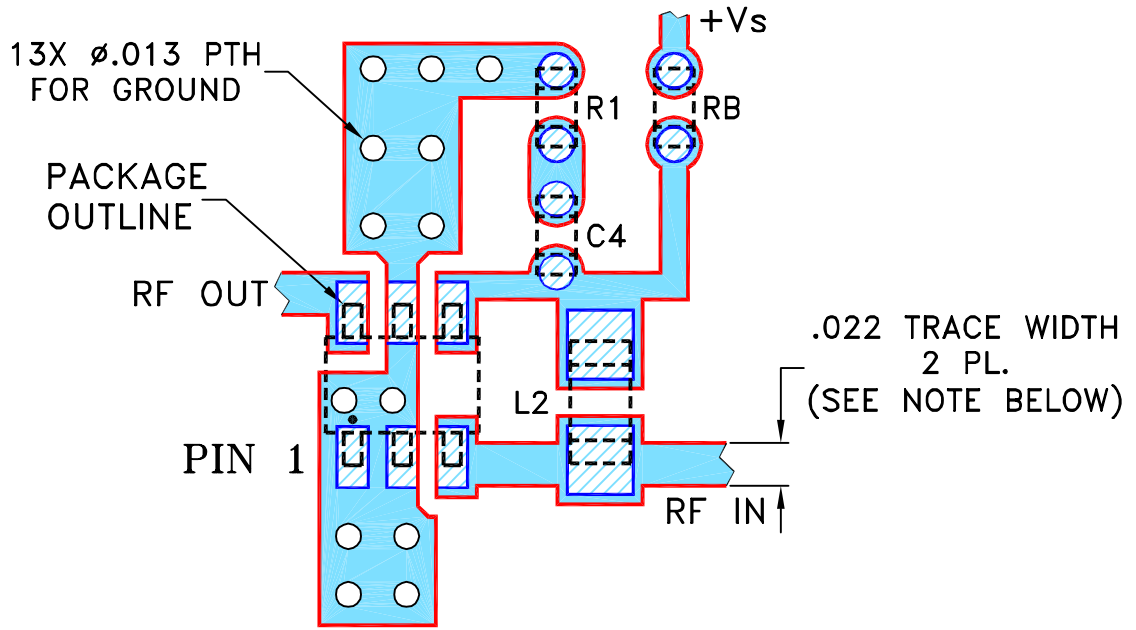
THIRD ANGLE PROJECTION



REVISIONS

| REV | ECN No. | DESCRIPTION | DATE | DR | AUTH |
|-----|---------|------------------------------------|----------|-----|------|
| OR | M123889 | NEW RELEASE | 08/18/09 | MMG | DJ |
| A | M124525 | MODIFIED DRAWING, CHG. TB IN TITLE | 09/22/09 | MMG | DJ |
| | | | | | |
| | | | | | |

SUGGESTED MOUNTING CONFIGURATION FOR CA1389 CASE STYLE, "06AM01" PIN CODE



- NOTES: 1. TRACE WIDTH IS SHOWN FOR ROGERS RO4350B WITH DIELECTRIC THICKNESS .010" ± .001"; COPPER: 1/2 OZ. EACH SIDE. FOR OTHER MATERIALS TRACE WIDTH MAY NEED TO BE MODIFIED.
2. 0402 AND 0603 CHIP COMPONENT FOOTPRINTS ARE SHOWN FOR REFERENCE. VALUES OF COMPONENTS AS PER TB-534+.
3. BOTTOM SIDE OF THE PCB IS CONTINUOUS GROUND PLANE.



DENOTES PCB COPPER LAYOUT WITH SMOBC (SOLDER MASK OVER BARE COPPER)



DENOTES COPPER LAND PATTERN FREE OF SOLDER MASK

| UNLESS OTHERWISE SPECIFIED | INITIALS | DATE |
|--|----------|--------------|
| DIMENSIONS ARE IN INCHES TOLERANCES ON: 2 PL DECIMALS ± 3 PL DECIMALS ± .005 ANGLES ± FRACTIONS ± | DRAWN | MMG 08/13/09 |
| | CHECKED | AV 08/17/09 |
| | APPROVED | DJ 08/18/09 |



Mini-Circuits®

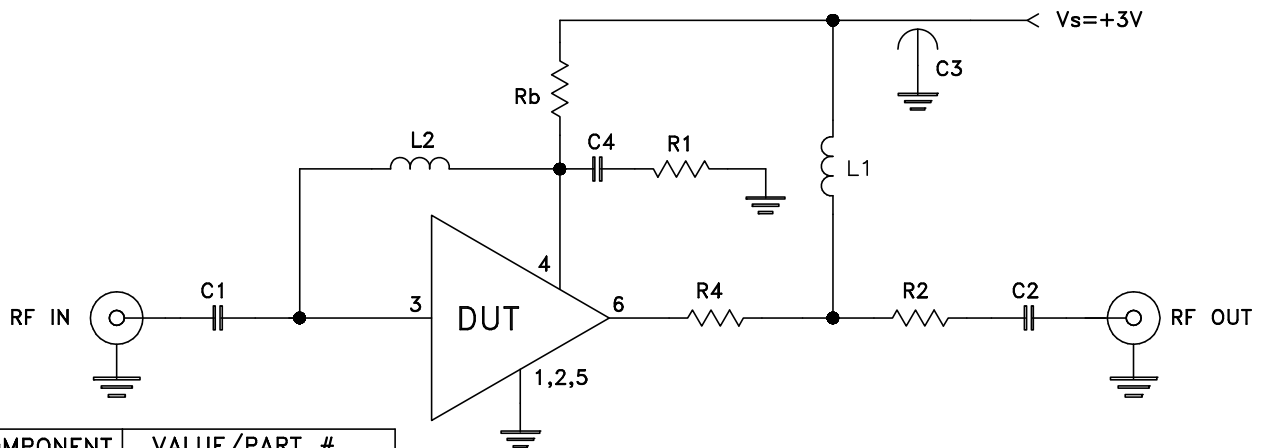
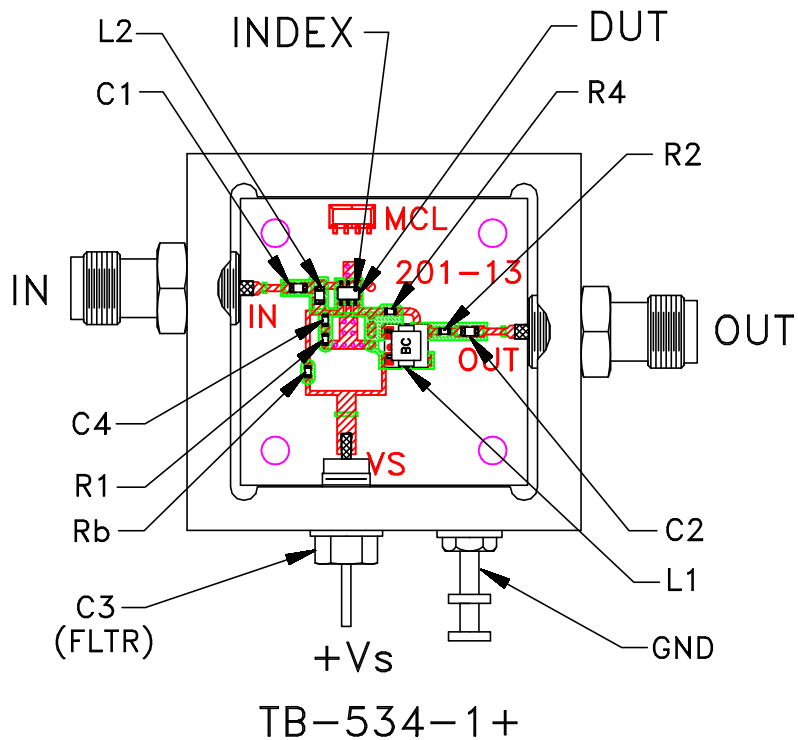
13 Neptune Avenue
Brooklyn NY 11235

PL, 06AM01, CA1389, TB-534+

Mini-Circuits®
 THIS DOCUMENT AND ITS CONTENTS ARE THE PROPERTY OF MINI-CIRCUITS. EXCEPT FOR USE EXPRESSLY GRANTED, IN WRITING, TO ITS VENDORS, VENDEE AND THE UNITED STATES GOVERNMENT, MINI-CIRCUITS RESERVES ALL PROPRIETARY DESIGN, USE, MANUFACTURING AND REPRODUCTION RIGHTS THERETO. THESE CONTENTS SHALL NOT BE USED, DUPLICATED OR DISCLOSED TO ANY OUTSIDE PARTY, IN WHOLE OR IN PART, WITHOUT WRITTEN PERMISSION OF MINI-CIRCUITS.

| SIZE | CODE IDENT | DRAWING NO: | REV: |
|-------|------------|-------------|---------------|
| A | 15542 | 98-PL-311 | A |
| FILE: | 98PL311 | SCALE: 10:1 | SHEET: 1 OF 1 |

Evaluation Board and Circuit



| COMPONENT | VALUE/PART # |
|-----------|----------------|
| R1 | 49.9 Ω |
| R2, R4 | 0 Ω |
| Rb | 1.5 k Ω |
| C1, C2 | 1000 pF |
| C3 (FLTR) | 1500 pF |
| C4 | 10 pF |
| L1 | TCCH-80+, MCL |
| L2 | 180 nH |
| DUT | PSA-5451+, MCL |

Schematic Diagram

Notes:

1. 50 Ohm SMA Female connectors.
2. PCB Material: R04350 or equivalent,
Dielectric Constant=3.5, Thickness=.010 inch.

Mini-Circuits®

All Mini-Circuits products are manufactured under exacting quality assurance and control standards, and are capable of meeting published specifications after being subjected to any or all of the following physical and environmental test.

| Specification | Test/Inspection Condition | Reference/Spec |
|--------------------------------|--|---|
| Operating Temperature | -45° to 85°C or -40° to 85°C Ambient Environment | Individual Model Data Sheet |
| Storage Temperature | -65° to 150° C Ambient Environment | Individual Model Data Sheet |
| Thermal Shock | -55° to 100°C, 100 cycles | MIL-STD-202, Method 107, Condition A-3, except +100°C |
| Mechanical Shock | 1.5Kg, 0.5 ms, 5 shock pulses, Y1 direction only | MIL-STD-883, Method 2002, Condition B, except Y1 direction only |
| Vibration (Variable Frequency) | 50g peak | MIL-STD-883, Method 2007, Condition B |
| Autoclave | 15 psig, 100% RH, 121°C, 96 hours | JESD22-A102, Condition C |
| HAST | 130°C, 85% RH, 96 hours | JESD22-A110 |
| Solderability | 10X Magnification | J-STD-002, Para 4.2.5, Test S, 95% Coverage |
| Solder Reflow Heat | Sn-Pb Eutetic Process: 240°C peak Pb-Free Process: 260°C peak | J-STD-020, Table 4-1, 4-2 and 5-2; Figure 5-1 |
| Moisture Sensitivity: Level 1 | Bake at 125°C for 24 hours Soak at 85°C/85% RH for 168 hours, Reflow 3 cycles at 260°C peak | J-STD-020 |
| Marking Resistance to Solvents | Isopropyl alcohol + mineral spirits at 25°C; terpene defluxer at 25°C; distilled water + proylene glycol monomethyl ether + | MIL-STD-202, Method 215 |



All Mini-Circuits products are manufactured under exacting quality assurance and control standards, and are capable of meeting published specifications after being subjected to any or all of the following physical and environmental test.

| Specification | Test/Inspection Condition | Reference/Spec |
|----------------------|----------------------------------|-----------------------|
| | monoethanolamine at 63°C to 70°C | |