



MMIC SURFACE MOUNT

Dual Matched Amplifier

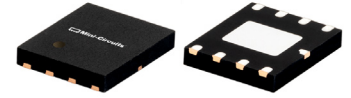
PHA-11+

Mini-Circuits

50Ω .05 to 3 GHz

THE BIG DEAL

- Two matched amplifiers in one package
- High IP3, +44 dBm at 0.8 GHz in push-pull configuration
- Low supply voltage, +3 to +5V
- Noise Figure, 1.8 at 0.8 GHz
- Gain, 16 dB typ. at 0.8 GHz
- P1dB, +22 dBm typ. at 0.8 GHz
- May be used as replacement for WJ AH11^{a,b}
- High IP2, +78 dBm at 0.8 in push-pull configuration



Generic photo used for illustration purposes only

CASE STYLE: DL1020

+RoHS Compliant

The +Suffix identifies RoHS Compliance. See our website for methodologies and qualifications

APPLICATIONS

- CATV
- FTTH
- Optical networks
- Base station infrastructure
- Balanced amplifiers
- 75 Ohm push-pull and balanced amplifiers

PRODUCT OVERVIEW

Mini-Circuits PHA-11+ is a dual matched wideband amplifier fabricated using advanced E-PHEMT* technology, offering high dynamic range (High IP3 and Low NF) for use in 50 and 75 ohm applications. Exceptionally high IP2 has been demonstrated in wideband 50 and 75 ohm amplifiers evaluation boards. Combining this with low noise figure to enable it for use in exceptionally high dynamic range amplifiers.

KEY FEATURES

Feature	Advantages
Broadband	Covers Cable TV band and communication bands such as Cellular, Cable TV, PCS, WiMAX etc.
Matched pair for use in exceptionally high IP3 and IP2 amplifiers	Typical gain match of 0.2 dB and phase match of 1.6 deg. enables it to be used in push-pull amplifiers. Outstanding IP2.
High IP3, up to +43 dBm	Ideal for suppressing unwanted intermods in the presence of multi carriers, which is common in present day communication systems.
Low Noise Figure: 1.8 dB typical	Compare this to competitors, which in the range of 4-6 dB. Mini-Circuits amplifier improves the dynamic range.
High P1dB: +22 dBm	High P1dB enables the amplifier to operate in linear region in the presence of strong interfering signals.

* Enhancement mode pseudomorphic High Electron Mobility Transistor.

a. Suitability for model replacement within a particular system must be determined by and is solely the responsibility of the customer based on, among other things, electrical performance criteria, stimulus conditions, application, compatibility with other components and environmental conditions and stresses.

b. The WJ part number is used for identification and comparison purposes only.

REV. C
ECO-010399
PHA-11+
MCL NY
240722



Dual Matched Amplifier **PHA-11+**

50Ω .05 to 3 GHz

ELECTRICAL SPECIFICATIONS¹ AT +25°C, Z₀=50Ω AND DEVICE VOLTAGE +5V, UNLESS NOTED

(Specifications (other than Matching or where defined as push-pull) are for each of the two matched amplifiers in the package)

Parameter	Condition (GHz)	Min.	Typ.	Max.	Units	
Frequency Range		0.05		3.0	GHz	
Gain	0.05	—	17.7	—	dB	
	0.25	—	16.4	—		
	0.45	—	16.3	—		
	0.8	14.5	16.1	17.7		
	2.0	—	14.5	—		
	3.0	—	12.0	—		
Input Return Loss	0.05		11.3		dB	
	0.25		19.5			
	0.45		19.4			
	0.8		17.0			
	2.0		8.4			
	3.0		4.5			
Output Return Loss	0.05		14.1		dB	
	0.25		22.1			
	0.45		21.7			
	0.8		18.8			
	2.0		10.0			
	3.0		6.0			
Output Power @1 dB compression ²	0.05		+22.4		dBm	
	0.25		+22.7			
	0.45		+22.7			
	0.8		+22.5			
	2.0		+21.5			
	3.0		+20.4			
Output IP ₃ ⁶	0.05	—	+41.4		dBm	
	0.25	—	+41.4			
	0.45	—	+41.6			
	0.8	+37.0	+41.5			
	2.0	—	+42.9			
	3.0	—	+41.8			
Noise Figure	0.05		1.8		dB	
	0.25		1.8			
	0.45		1.8			
	0.8		1.8			
	2.0		2.2			
	3.0		2.7			
Matching between A1, A2	Amplitude Unbalance	0.05		0.11	—	dB
		0.25		0.12	—	
		0.45		0.12	—	
		0.8		0.12	0.6	
		2.0		0.22	—	
		3.0		0.25	—	
	Phase Unbalance	0.05		0.3	—	deg.
		0.25		0.31	—	
		0.45		0.51	—	
		0.8		1.0	5.0	
		2.0		1.6	—	
		3.0		2.0	—	
Device Operating Voltage		+4.8	+5.0	+5.2	V	
Device Operating Current (each amplifier)		110	146	180	mA	
Device Current Variation vs. Temperature			23		μA/°C	
Device Current Variation vs Voltage			0.053		mA/mV	
Thermal Resistance, junction-to-ground lead ⁷			34		°C/W	



ABSOLUTE MAXIMUM RATINGS⁴

Parameter	Ratings
Operating Temperature ⁵	-40°C to +85°C
Storage Temperature	-55°C to +150°C
Operating Current at 5V ⁶	200 mA
Power Dissipation ⁶	1000 mW
Input Power (CW)	+24 dBm
DC Voltage (pads 5,8)	+6 V

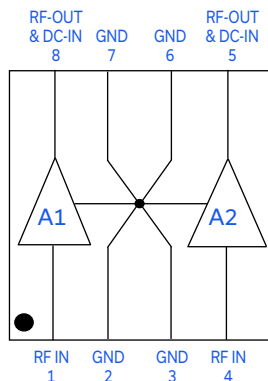
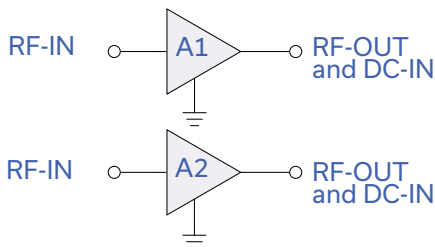
PUSH-PULL AMPLIFIER TYPICAL PERFORMANCE³

Freq. GHz	TB-566-75-11+ (75Ω)			TB-566-50-11+ (50Ω)			TB-666-50-11+ (50Ω)		
	Gain (dB)	Output IP3 (dBm)	Output IP2 (dBm)	Gain (dB)	Output IP3 (dBm)	Output IP2 (dBm)	Gain (dB)	Output IP3 (dBm)	Output IP2 (dBm)
0.05	14.2	45.0	79.0	15.2	45.0	82.0	14.1	40.1	71.4
0.25	13.7	43.0	79.0	13.8	45.0	84.0	13.8	40.7	70.5
0.45	14.0	42.0	81.0	13.8	44.0	81.0	14.1	42.2	75.6
0.85	14.1	43.0	72.0	13.0	44.0	76.0	13.1	40.4	71.5
1.20	13.8	40.6	78.0	12.0	43.0	72.0	12.9	39.4	62.1
1.30	13.5	40.3	78.0	--	--	--	12.8	40.0	56.8
1.50	--	--	--	--	--	--	12.2	39.7	60.8
2.00	--	--	--	--	--	--	11.8	41.0	65.2
3.00	--	--	--	--	--	--	8.6	36.2	70.8

1. Measured on Mini-Circuits Test Board TB-561-11+ (characterization test circuit, Fig 1a.)
2. Current increases at P1dB
3. Measured on evaluation boards (push-pull amplifiers) TB-566-50-11+, TB-666-50-11+ (50Ω) and TB-566-75-11+ (75Ω) See Characterization Test Circuit (Fig. 1b)
4. Permanent damage may occur if any of these limits are exceeded. These ratings are not intended for continuous normal operation.
5. Defined with reference to ground pad temperature.
6. Per single ended amplifier
7. Θ_{Jc}= Junction Temperature-85°C. Voltage X sum of current in A1 & A2

Function	Pin Number	Description
RF-IN, A1	1	RF input pin. This pin requires the use of an external DC blocking capacitor chosen for the frequency of operation. (see Application Circuit, Fig 2.)
RF-OUT and DC-IN, A1	8	RF output and bias pin. DC voltage is present on this pin; therefore a DC blocking capacitor is necessary for proper operation. An RF choke is needed to feed DC bias without loss of RF signal due to the bias connection, as shown in "Recommended Application Circuit", Fig 2
RF-IN, A2	4	RF input pin. This pin requires the use of an external DC blocking capacitor chosen for the frequency of operation. (see Application Circuit, Fig 2.)
RF-OUT and DC-IN, A2	5	RF output and bias pin. DC voltage is present on this pin; therefore a DC blocking capacitor is necessary for proper operation. An RF choke is needed to feed DC bias without loss of RF signal due to the bias connection, as shown in "Recommended Application Circuit", Fig 2
GND	2,3,6,7 & paddle	Connections to ground. Use via holes as shown in "Suggested Layout for PCB Design" to reduce ground path inductance for best performance.

SIMPLIFIED SCHEMATIC (EACH OF A1, A2) AND PAD DESCRIPTION





CHARACTERIZATION TEST CIRCUIT

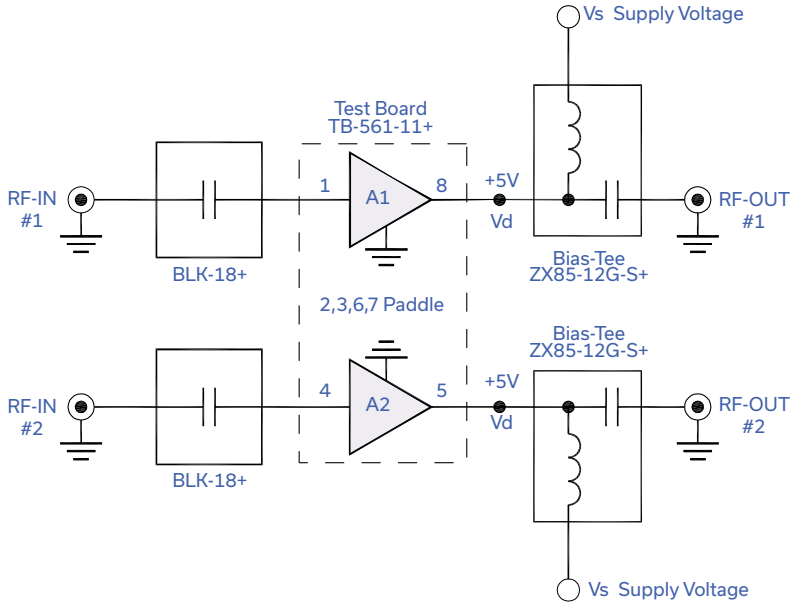


Fig 1a. Block Diagram of Test Circuit used for characterization. (DUT tested in Mini-Circuits Test board TB-561-11+, except for IP2) Gain, Return loss, Output power at 1dB compression (P1 dB), output IP3 (OIP3) and noise figure measured using Agilent's N5242A PNA-X microwave network analyzer.

Conditions:

1. Gain and Return loss: $P_{IN} = -25\text{dBm}$
2. Output IP3 (OIP3): Two tones, spaced 1MHz apart, 5 dBm/tone at output.

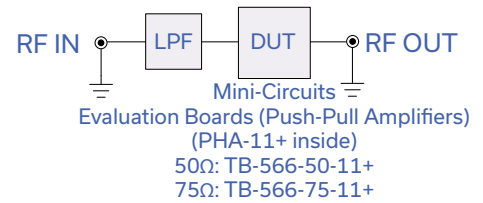


Fig 1b. Block Diagram of Test Set up used for characterization of Gain, IP2, IP3. Measured using Agilent's signal generators E8527D and Spectrum analyzer N9020A.

Conditions:

1. Two tones, spaced 1MHz apart, 5 dBm/tone at output. IP2 is measured at the sum frequency of the tones.

RECOMMENDED APPLICATION CIRCUIT

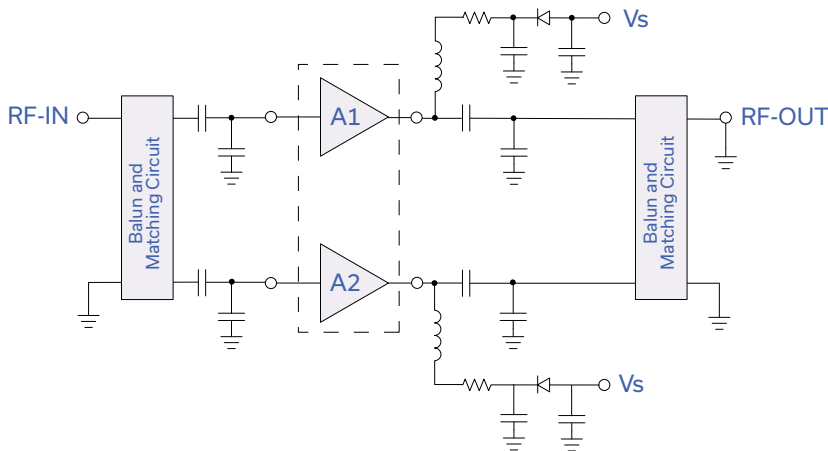
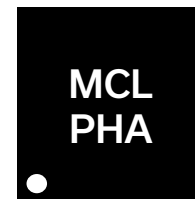


Fig 2. Recommended Application Circuit. Refer to following Mini-Circuits Evaluation Boards for parts list. 50Ω: TB-566-50-11+ 75Ω: TB-566-75-11+

PRODUCT MARKING



index over pin 1

Marking may contain other features or characters for internal lot control



Dual Matched Amplifier

PHA-11+

50Ω .05 to 3 GHz

ADDITIONAL DETAILED TECHNICAL INFORMATION IS AVAILABLE ON OUR DASHBOARD. [CLICK HERE](#)

Performance Data	Data Table Swept Graphs S-Parameter (S2P Files) Data Set (.zip file)
Case Style	DL1020 Plastic package, exposed paddle lead finish: tin/silver/nickel
Tape & Reel Standard quantities available on reel	F68 7" reels with 20, 50, 100, 200, 500 or 1K devices 13" reels with 2K, 3K, 4K devices
Suggested Layout for PCB Design	PL-322
Evaluation Board	TB-566-50-11+ (50Ω, 0.05-1.2 GHz) TB-566-75-11+ (75Ω, 0.05-1.3 GHz) TB-666-50-11+ (50Ω, 0.05-3 GHz)
Environmental Ratings	ENV08T2

ESD RATING

Human Body Model (HBM): Class 1A (250 to <500V) in accordance with ANSI/ESD STM 5.1 - 2001

Machine Model (MM): Class M1 (>25V) in accordance with ANSI/ESD STM5.2-1999

MSL RATING

Moisture Sensitivity: MSL1 in accordance with IPC/JEDEC J-STD-020D

- NOTES**
- A. Performance and quality attributes and conditions not expressly stated in this specification document are intended to be excluded and do not form a part of this specification document.
 - B. Electrical specifications and performance data contained in this specification document are based on Mini-Circuit's applicable established test performance criteria and measurement instructions.
 - C. The parts covered by this specification document are subject to Mini-Circuits standard limited warranty and terms and conditions (collectively, "Standard Terms"); Purchasers of this part are entitled to the rights and benefits contained therein. For a full statement of the standard. Terms and the exclusive rights and remedies thereunder, please visit Mini-Circuits' website at www.minicircuits.com/MCLStore/terms.jsp

Typical Performance Data

NOTE: Use PDF Bookmarks to view DATA at required conditions

Definitions:

- Input Return Loss = -S11 (dB)
- Gain(Power Gain) = S21 (dB)
- Reverse Isolation = -S12 (dB)
- Output Return Loss = -S22 (dB)

TEST CONDITIONS: Vd = 5.00V, Id1 (A1) = 146.17 mA and Id2 (A2) = 138.65 mA @ Temperature = +25degC

FREQ	A1		A2		A1 & A2		A1					
	Gain		Amp Unbal	Phase Unbal	Isolation	Input Return Loss	Output Return Loss	Stability		IP-3 Output	1dB Comp. Output	Noise Figure
	(MHz)	(dB)	(dB)	(Deg)	(dB)	(dB)	(dB)	K	Measure	(dBm)	(dBm)	(dB)
50.0	17.70	17.61	0.09	0.36	21.61	11.56	13.97	0.98	0.67	43.22	22.44	1.75
100.0	16.79	16.74	0.05	0.39	20.85	15.97	18.28	1.06	0.64	43.05	22.49	1.72
200.0	16.46	16.43	0.03	0.42	20.62	19.40	21.29	1.09	0.63	43.33	22.72	1.63
300.0	16.36	16.34	0.02	0.52	20.56	20.05	21.83	1.10	0.63	43.94	22.79	1.75
400.0	16.30	16.29	0.01	0.60	20.51	19.98	21.53	1.10	0.63	42.76	22.56	1.71
500.0	16.24	16.25	0.01	0.69	20.45	19.46	20.96	1.10	0.63	43.09	22.82	1.77
600.0	16.18	16.20	0.02	0.79	20.37	18.75	20.24	1.09	0.63	43.81	22.76	1.78
700.0	16.12	16.15	0.03	0.90	20.27	17.90	19.52	1.09	0.63	43.18	22.77	1.79
800.0	16.04	16.08	0.04	0.98	20.21	16.97	18.57	1.08	0.63	43.46	22.72	1.80
900.0	15.96	16.02	0.06	1.05	20.12	16.10	17.61	1.08	0.63	44.68	22.92	1.82
1000.0	15.87	15.94	0.07	1.09	20.01	15.22	16.74	1.07	0.63	42.01	22.49	1.88
1100.0	15.77	15.86	0.09	1.15	19.92	14.38	15.96	1.06	0.63	42.90	22.71	1.93
1200.0	15.66	15.77	0.11	1.18	19.81	13.58	15.18	1.06	0.63	44.60	22.83	1.97
1300.0	15.53	15.67	0.14	1.16	19.72	12.84	14.44	1.05	0.63	44.00	22.69	2.01
1400.0	15.41	15.55	0.14	1.17	19.61	12.10	13.75	1.04	0.63	43.41	22.72	2.04
1500.0	15.26	15.43	0.17	1.14	19.53	11.40	13.13	1.04	0.64	44.57	22.81	2.09
1600.0	15.11	15.30	0.19	1.11	19.44	10.71	12.48	1.03	0.64	44.17	22.56	2.13
1700.0	14.95	15.15	0.20	1.03	19.34	10.10	11.87	1.02	0.64	42.78	22.24	2.14
1800.0	14.78	14.99	0.21	0.95	19.27	9.54	11.35	1.02	0.64	43.30	22.30	2.15
1900.0	14.59	14.82	0.23	0.81	19.23	9.03	10.85	1.01	0.65	43.68	22.10	2.22
2000.0	14.41	14.65	0.24	0.75	19.12	8.49	10.35	1.00	0.65	42.86	22.09	2.21
2100.0	14.21	14.46	0.25	0.54	19.08	8.04	9.94	1.00	0.66	44.75	22.21	2.26
2200.0	14.01	14.24	0.23	0.46	19.00	7.56	9.46	0.99	0.66	43.15	21.78	2.28
2300.0	13.79	14.04	0.25	0.34	19.00	7.08	9.08	0.99	0.67	43.88	21.73	2.36
2400.0	13.56	13.80	0.24	0.25	18.94	6.69	8.66	0.98	0.67	43.45	21.81	2.35
2500.0	13.33	13.54	0.21	0.17	18.90	6.28	8.23	0.98	0.67	43.50	21.34	2.45
2600.0	13.08	13.29	0.21	0.04	18.93	5.92	7.88	0.97	0.68	43.31	21.42	2.46
2700.0	12.83	13.02	0.19	0.04	18.90	5.55	7.48	0.97	0.68	43.67	21.33	2.61
2800.0	12.54	12.73	0.19	0.06	18.88	5.19	7.08	0.96	0.68	43.49	21.13	2.64
2900.0	12.26	12.42	0.16	0.07	18.95	4.87	6.74	0.96	0.69	41.75	20.73	2.72
3000.0	11.98	12.12	0.14	0.29	19.00	4.62	6.46	0.96	0.69	42.03	20.84	2.65
3100.0	11.65	11.77	0.12	0.16	19.01	4.30	6.10	0.95	0.69	41.58	20.51	2.86
3200.0	11.35	11.42	0.07	0.24	19.10	4.05	5.82	0.95	0.70	42.47	20.52	2.95
3300.0	11.02	11.10	0.08	0.03	19.19	3.80	5.53	0.95	0.70	41.38	20.48	3.03
3400.0	10.67	10.72	0.05	0.08	19.30	3.57	5.25	0.95	0.70	42.12	20.28	3.19
3500.0	10.36	10.39	0.03	0.05	19.38	3.37	4.99	0.94	0.70	41.59	20.14	3.28
3600.0	10.02	10.05	0.03	0.26	19.47	3.17	4.76	0.94	0.70	40.41	19.81	3.35
3700.0	9.64	9.68	0.04	0.44	19.58	2.98	4.51	0.94	0.69	41.35	19.81	3.58
3800.0	9.27	9.31	0.04	0.37	19.72	2.79	4.28	0.93	0.69	41.07	19.61	3.64
3900.0	8.93	8.97	0.04	0.55	19.85	2.65	4.11	0.93	0.69	40.10	19.36	3.67
4000.0	8.56	8.60	0.04	0.53	19.98	2.53	3.92	0.93	0.69	40.05	19.21	3.84

Typical Performance Data

Definitions:

Input Return Loss = -S11 (dB)

Gain(Power Gain) = S21 (dB)

Reverse Isolation = -S12 (dB)

Output Return Loss = -S22 (dB)

TEST CONDITIONS: Vd = 4.75V, Id1 (A1) = 132.48 mA and Id2 (A2) = 125.02 mA @ Temperature = +25degC

FREQ	A1		A2		A1 & A2		A1					
	Gain		Amp Unbal	Phase Unbal	Isolation	Input Return Loss	Output Return Loss	Stability		IP-3 Output	1dB Comp. Output	Noise Figure
	(MHz)	(dB)	(dB)	(Deg)	(dB)	(dB)	(dB)	K	Measure	(dBm)	(dBm)	(dB)
50.0	17.62	17.56	0.06	0.50	21.48	11.51	14.07	0.98	0.67	43.79	21.92	1.76
100.0	16.71	16.70	0.01	0.59	20.75	15.92	18.30	1.06	0.64	43.22	21.97	1.75
200.0	16.37	16.39	0.02	0.61	20.58	19.38	21.35	1.10	0.64	43.94	22.16	1.70
300.0	16.27	16.30	0.03	0.69	20.47	20.01	21.92	1.10	0.63	45.75	22.24	1.76
400.0	16.21	16.25	0.04	0.81	20.46	19.96	21.61	1.10	0.64	43.56	22.03	1.82
500.0	16.16	16.20	0.04	0.93	20.39	19.50	21.08	1.10	0.63	44.44	22.28	1.81
600.0	16.10	16.15	0.05	1.05	20.30	18.83	20.29	1.09	0.63	44.12	22.21	1.85
700.0	16.03	16.10	0.07	1.18	20.25	17.95	19.51	1.09	0.63	43.72	22.24	1.82
800.0	15.95	16.04	0.09	1.29	20.15	17.07	18.60	1.09	0.63	43.90	22.23	1.87
900.0	15.87	15.97	0.10	1.37	20.07	16.20	17.69	1.08	0.63	46.32	22.39	1.84
1000.0	15.79	15.90	0.11	1.46	19.97	15.30	16.84	1.07	0.63	42.59	21.98	1.92
1100.0	15.68	15.81	0.13	1.54	19.88	14.43	16.01	1.07	0.63	43.09	22.18	2.01
1200.0	15.58	15.73	0.15	1.59	19.77	13.64	15.25	1.06	0.63	45.50	22.29	2.02
1300.0	15.46	15.62	0.16	1.61	19.66	12.91	14.53	1.05	0.63	44.05	22.15	2.07
1400.0	15.33	15.50	0.17	1.65	19.56	12.16	13.83	1.04	0.63	43.27	22.20	2.06
1500.0	15.18	15.38	0.20	1.64	19.49	11.45	13.20	1.04	0.64	43.64	22.26	2.11
1600.0	15.04	15.25	0.21	1.64	19.38	10.78	12.53	1.03	0.64	43.81	22.05	2.16
1700.0	14.88	15.10	0.22	1.55	19.32	10.18	11.96	1.02	0.64	42.43	21.75	2.16
1800.0	14.71	14.95	0.24	1.61	19.22	9.59	11.41	1.02	0.65	42.42	21.80	2.18
1900.0	14.53	14.78	0.25	1.47	19.21	9.06	10.91	1.01	0.65	42.39	21.62	2.23
2000.0	14.34	14.60	0.26	1.44	19.11	8.52	10.39	1.01	0.65	41.68	21.58	2.28
2100.0	14.15	14.41	0.26	1.29	19.03	8.06	9.96	1.00	0.66	43.82	21.70	2.32
2200.0	13.95	14.19	0.24	1.26	18.95	7.59	9.48	0.99	0.66	41.37	21.28	2.32
2300.0	13.73	13.99	0.26	1.20	18.90	7.12	9.09	0.99	0.66	41.85	21.22	2.39
2400.0	13.52	13.75	0.23	1.15	18.89	6.71	8.67	0.98	0.67	41.67	21.32	2.37
2500.0	13.27	13.49	0.22	1.06	18.87	6.32	8.26	0.98	0.67	41.53	20.83	2.46
2600.0	13.02	13.24	0.22	1.01	18.88	5.94	7.87	0.97	0.68	41.19	20.93	2.52
2700.0	12.77	12.97	0.20	0.86	18.87	5.59	7.51	0.97	0.68	41.25	20.83	2.63
2800.0	12.49	12.67	0.18	0.87	18.88	5.25	7.13	0.97	0.69	40.81	20.64	2.67
2900.0	12.20	12.36	0.16	1.01	18.88	4.92	6.77	0.96	0.69	39.61	20.25	2.77
3000.0	11.88	12.05	0.17	0.68	19.00	4.67	6.48	0.97	0.70	39.81	20.35	2.77
3100.0	11.62	11.71	0.09	0.94	19.00	4.35	6.16	0.96	0.70	39.34	20.02	2.84
3200.0	11.31	11.36	0.05	0.98	19.08	4.09	5.87	0.95	0.70	39.47	20.01	2.92
3300.0	10.98	11.04	0.06	1.21	19.16	3.84	5.56	0.95	0.70	39.14	19.97	3.02
3400.0	10.62	10.65	0.03	1.35	19.26	3.61	5.26	0.95	0.70	39.14	19.76	3.17
3500.0	10.31	10.32	0.01	1.41	19.34	3.40	5.02	0.95	0.70	39.08	19.62	3.20
3600.0	9.96	9.98	0.02	1.74	19.43	3.21	4.77	0.95	0.70	37.86	19.31	3.36
3700.0	9.58	9.61	0.03	1.93	19.57	3.01	4.52	0.94	0.70	38.33	19.28	3.52
3800.0	9.24	9.24	0.00	1.92	19.67	2.84	4.30	0.94	0.69	38.21	19.07	3.55
3900.0	8.89	8.90	0.01	2.19	19.81	2.69	4.13	0.94	0.69	37.58	18.86	3.62
4000.0	8.51	8.53	0.02	2.20	19.97	2.57	3.92	0.94	0.69	37.50	18.71	3.79

Typical Performance Data

Definitions:

Input Return Loss = -S11 (dB)

Gain(Power Gain) = S21 (dB)

Reverse Isolation = -S12 (dB)

Output Return Loss = -S22 (dB)

TEST CONDITIONS: Vd = 5.25V, Id1 (A1) = 159.58mA and Id2 (A2) = 151.78 mA @ Temperature = +25degC

FREQ	A1		A2		A1 & A2		A1					
	Gain		Amp Unbal	Phase Unbal	Isolation	Input Return Loss	Output Return Loss	Stability		IP-3 Output	1dB Comp. Output	Noise Figure
	(MHz)	(dB)	(dB)	(Deg)	(dB)	(dB)	(dB)	K	Measure	(dBm)	(dBm)	(dB)
50.0	17.73	17.69	0.04	0.54	21.33	11.48	13.99	0.97	0.64	42.95	22.97	1.87
100.0	16.83	16.83	0.00	0.61	20.84	16.06	18.35	1.06	0.64	42.47	22.98	1.79
200.0	16.50	16.53	0.03	0.61	20.69	19.53	21.37	1.09	0.63	42.42	23.21	1.73
300.0	16.40	16.44	0.04	0.68	20.56	20.17	21.90	1.10	0.63	43.83	23.31	1.79
400.0	16.34	16.39	0.05	0.81	20.54	20.09	21.66	1.10	0.63	41.70	23.04	1.83
500.0	16.29	16.35	0.06	0.92	20.49	19.62	21.11	1.10	0.63	42.34	23.31	1.85
600.0	16.23	16.30	0.07	1.04	20.43	18.90	20.38	1.10	0.63	42.84	23.25	1.85
700.0	16.16	16.25	0.09	1.15	20.37	18.05	19.61	1.09	0.63	42.32	23.25	1.87
800.0	16.08	16.18	0.10	1.25	20.28	17.15	18.69	1.09	0.63	42.20	23.19	1.88
900.0	16.01	16.12	0.11	1.35	20.17	16.27	17.82	1.08	0.63	43.17	23.42	1.90
1000.0	15.92	16.05	0.13	1.42	20.09	15.37	16.97	1.07	0.63	41.14	22.93	1.97
1100.0	15.81	15.96	0.15	1.50	19.99	14.49	16.14	1.07	0.63	42.11	23.16	2.04
1200.0	15.71	15.87	0.16	1.55	19.91	13.70	15.39	1.06	0.63	43.12	23.30	2.03
1300.0	15.59	15.77	0.18	1.58	19.81	12.97	14.68	1.05	0.63	42.38	23.11	2.08
1400.0	15.47	15.66	0.19	1.60	19.64	12.21	13.97	1.04	0.63	42.39	23.17	2.12
1500.0	15.32	15.53	0.21	1.58	19.63	11.50	13.34	1.04	0.64	43.28	23.26	2.16
1600.0	15.18	15.40	0.22	1.58	19.51	10.82	12.68	1.03	0.64	42.58	23.00	2.19
1700.0	15.02	15.25	0.23	1.51	19.45	10.21	12.10	1.03	0.64	41.74	22.67	2.22
1800.0	14.86	15.10	0.24	1.53	19.33	9.64	11.57	1.02	0.64	43.29	22.72	2.23
1900.0	14.67	14.94	0.27	1.41	19.29	9.10	11.05	1.02	0.65	42.12	22.51	2.27
2000.0	14.49	14.76	0.27	1.38	19.23	8.55	10.53	1.01	0.66	43.02	22.50	2.31
2100.0	14.29	14.57	0.28	1.22	19.18	8.10	10.11	1.00	0.66	43.46	22.59	2.36
2200.0	14.09	14.35	0.26	1.17	19.10	7.63	9.63	1.00	0.66	42.27	22.16	2.34
2300.0	13.88	14.15	0.27	1.13	19.06	7.15	9.23	0.99	0.67	42.99	22.11	2.48
2400.0	13.67	13.91	0.24	1.05	19.02	6.73	8.81	0.99	0.67	44.15	22.19	2.43
2500.0	13.42	13.65	0.23	0.96	19.00	6.34	8.39	0.98	0.68	42.77	21.71	2.53
2600.0	13.18	13.41	0.23	0.94	18.99	5.96	8.00	0.98	0.68	43.25	21.79	2.54
2700.0	12.92	13.14	0.22	0.77	18.99	5.62	7.63	0.97	0.69	43.86	21.69	2.71
2800.0	12.64	12.84	0.20	0.77	18.99	5.27	7.24	0.97	0.69	43.44	21.50	2.77
2900.0	12.37	12.53	0.16	0.89	19.02	4.94	6.88	0.97	0.69	42.79	21.09	2.88
3000.0	12.04	12.23	0.19	0.59	19.12	4.68	6.59	0.97	0.70	43.59	21.20	2.87
3100.0	11.79	11.89	0.10	0.84	19.13	4.36	6.26	0.96	0.70	42.98	20.87	2.93
3200.0	11.48	11.54	0.06	0.87	19.21	4.10	5.97	0.96	0.71	43.46	20.88	3.02
3300.0	11.15	11.21	0.06	1.11	19.24	3.85	5.64	0.95	0.70	43.86	20.84	3.12
3400.0	10.79	10.83	0.04	1.25	19.34	3.61	5.35	0.95	0.71	43.93	20.63	3.24
3500.0	10.48	10.50	0.02	1.28	19.46	3.40	5.11	0.95	0.71	44.16	20.47	3.27
3600.0	10.14	10.17	0.03	1.60	19.52	3.20	4.86	0.95	0.70	43.47	20.15	3.50
3700.0	9.76	9.79	0.03	1.82	19.68	3.01	4.59	0.95	0.70	44.05	20.15	3.61
3800.0	9.41	9.42	0.01	1.80	19.77	2.83	4.37	0.94	0.70	44.73	19.95	3.70
3900.0	9.07	9.08	0.01	2.10	19.91	2.68	4.20	0.94	0.70	44.17	19.69	3.77
4000.0	8.69	8.72	0.03	2.09	20.07	2.56	3.98	0.94	0.69	44.33	19.54	3.90

Typical Performance Data

Definitions:

Input Return Loss = -S11 (dB)

Gain(Power Gain) = S21 (dB)

Reverse Isolation = -S12 (dB)

Output Return Loss = -S22 (dB)

TEST CONDITIONS: Vd = 5.00V, Id1 (A1) = 140.16 mA and Id2 (A2) = 133.54 mA @ Temperature = -45degC

FREQ	A1		A2		A1 & A2		A1					
	Gain		Amp Unbal	Phase Unbal	Isolation	Input Return Loss	Output Return Loss	Stability		IP-3 Output	1dB Comp. Output	Noise Figure
	(MHz)	(dB)	(dB)	(Deg)	(dB)	(dB)	(dB)	K	Measure	(dBm)	(dBm)	(dB)
50.0	17.43	17.36	0.07	0.55	21.02	11.79	13.32	0.95	0.65	42.66	22.52	1.63
100.0	16.31	16.30	0.01	0.71	20.30	16.45	16.48	1.05	0.63	40.64	22.67	1.56
200.0	15.88	15.90	0.02	0.70	20.08	20.38	18.43	1.09	0.62	40.34	22.81	1.49
300.0	15.76	15.80	0.04	0.76	19.98	21.10	18.49	1.10	0.62	40.43	22.87	1.53
400.0	15.70	15.75	0.05	0.89	19.96	20.82	18.25	1.10	0.62	39.22	22.73	1.51
500.0	15.66	15.71	0.05	1.02	19.91	20.27	18.08	1.10	0.62	40.08	22.96	1.52
600.0	15.61	15.67	0.06	1.14	19.86	19.37	17.54	1.10	0.61	39.69	22.90	1.51
700.0	15.55	15.63	0.08	1.25	19.80	18.25	16.84	1.10	0.61	39.38	22.95	1.51
800.0	15.49	15.57	0.08	1.37	19.76	17.25	16.30	1.10	0.61	39.46	22.93	1.54
900.0	15.42	15.53	0.11	1.49	19.66	16.35	15.79	1.09	0.61	40.47	23.08	1.54
1000.0	15.35	15.47	0.12	1.59	19.59	15.38	15.07	1.09	0.61	38.69	22.77	1.60
1100.0	15.26	15.39	0.13	1.68	19.55	14.48	14.41	1.08	0.61	39.27	22.96	1.64
1200.0	15.17	15.32	0.15	1.75	19.49	13.68	13.92	1.08	0.61	40.20	23.02	1.68
1300.0	15.07	15.24	0.17	1.79	19.38	12.89	13.32	1.07	0.60	39.63	22.93	1.69
1400.0	14.96	15.13	0.17	1.85	19.31	12.15	12.73	1.06	0.60	39.36	22.99	1.72
1500.0	14.84	15.03	0.19	1.87	19.26	11.49	12.24	1.06	0.61	40.13	23.06	1.78
1600.0	14.71	14.93	0.22	1.88	19.20	10.80	11.71	1.05	0.61	39.53	22.90	1.82
1700.0	14.57	14.79	0.22	1.82	19.13	10.21	11.22	1.05	0.61	38.81	22.65	1.78
1800.0	14.44	14.66	0.22	1.90	19.05	9.67	10.79	1.04	0.61	39.54	22.70	1.81
1900.0	14.28	14.53	0.25	1.81	19.05	9.13	10.36	1.04	0.62	39.14	22.55	1.86
2000.0	14.12	14.38	0.26	1.78	18.96	8.63	9.97	1.03	0.62	39.34	22.53	1.89
2100.0	13.97	14.21	0.24	1.70	18.90	8.18	9.56	1.03	0.62	39.81	22.65	1.91
2200.0	13.78	14.03	0.25	1.66	18.84	7.66	9.12	1.02	0.62	39.00	22.28	1.86
2300.0	13.61	13.86	0.25	1.65	18.79	7.20	8.77	1.01	0.62	39.01	22.22	1.95
2400.0	13.41	13.65	0.24	1.66	18.77	6.83	8.35	1.01	0.62	39.87	22.27	1.94
2500.0	13.20	13.43	0.23	1.54	18.77	6.43	7.96	1.00	0.62	38.87	21.83	2.03
2600.0	12.98	13.21	0.23	1.48	18.78	6.05	7.66	1.00	0.63	39.05	21.93	2.04
2700.0	12.77	12.99	0.22	1.44	18.74	5.73	7.34	0.99	0.63	39.50	21.83	2.17
2800.0	12.53	12.73	0.20	1.47	18.72	5.35	6.94	0.99	0.63	39.46	21.63	2.18
2900.0	12.28	12.45	0.17	1.55	18.76	4.99	6.61	0.98	0.63	38.47	21.24	2.27
3000.0	11.98	12.17	0.19	1.60	18.81	4.70	6.28	0.98	0.64	38.99	21.29	2.26
3100.0	11.75	11.87	0.12	1.52	18.85	4.41	5.97	0.98	0.63	38.42	20.98	2.32
3200.0	11.47	11.55	0.08	1.39	18.90	4.13	5.69	0.97	0.63	38.70	20.97	2.35
3300.0	11.16	11.25	0.09	1.76	18.98	3.85	5.38	0.97	0.63	38.80	20.94	2.51
3400.0	10.82	10.89	0.07	2.15	19.08	3.59	5.05	0.96	0.63	38.71	20.69	2.61
3500.0	10.54	10.59	0.05	1.95	19.16	3.37	4.80	0.96	0.63	38.87	20.56	2.60
3600.0	10.23	10.27	0.04	2.25	19.27	3.16	4.59	0.95	0.63	38.17	20.29	2.73
3700.0	9.84	9.91	0.07	2.58	19.42	2.94	4.30	0.95	0.63	38.66	20.22	2.88
3800.0	9.50	9.56	0.06	2.47	19.54	2.74	4.04	0.94	0.62	38.57	19.97	2.96
3900.0	9.19	9.23	0.04	2.62	19.64	2.58	3.89	0.94	0.62	38.07	19.80	2.96
4000.0	8.82	8.87	0.05	2.81	19.81	2.44	3.68	0.94	0.61	38.13	19.59	3.09

Typical Performance Data

Definitions:

Input Return Loss = -S11 (dB)

Gain(Power Gain) = S21 (dB)

Reverse Isolation = -S12 (dB)

Output Return Loss = -S22 (dB)

TEST CONDITIONS: Vd = 4.75V, Id1 (A1) = 127.58 mA and Id2 (A2) = 118.02 mA @ Temperature = -45degC

FREQ	A1		A2		A1 & A2		A1					
	Gain		Amp Unbal	Phase Unbal	Isolation	Input Return Loss	Output Return Loss	Stability		IP-3 Output	1dB Comp. Output	Noise Figure
	(MHz)	(dB)	(dB)	(Deg)	(dB)	(dB)	(dB)	K	Measure	(dBm)	(dBm)	(dB)
50.0	17.37	17.29	0.08	0.44	21.16	11.69	13.46	0.96	0.67	42.17	21.87	1.62
100.0	16.28	16.25	0.03	0.59	20.28	16.36	16.76	1.05	0.63	40.87	21.97	1.55
200.0	15.86	15.86	0.00	0.64	20.05	20.37	18.91	1.09	0.62	40.69	22.12	1.45
300.0	15.75	15.76	0.01	0.71	20.03	21.19	18.97	1.10	0.63	41.38	22.18	1.47
400.0	15.69	15.71	0.02	0.85	19.95	20.97	18.76	1.10	0.62	39.73	22.05	1.48
500.0	15.65	15.68	0.03	0.99	19.88	20.40	18.58	1.10	0.62	40.62	22.29	1.55
600.0	15.60	15.64	0.04	1.12	19.84	19.52	17.99	1.10	0.62	40.56	22.23	1.51
700.0	15.55	15.60	0.05	1.24	19.78	18.39	17.24	1.10	0.61	40.06	22.30	1.50
800.0	15.48	15.54	0.06	1.35	19.72	17.40	16.67	1.09	0.61	40.21	22.27	1.53
900.0	15.42	15.50	0.08	1.48	19.65	16.49	16.12	1.09	0.61	41.40	22.40	1.54
1000.0	15.34	15.44	0.10	1.57	19.57	15.49	15.36	1.08	0.61	39.39	22.13	1.57
1100.0	15.25	15.36	0.11	1.68	19.49	14.56	14.66	1.08	0.61	39.70	22.31	1.68
1200.0	15.17	15.29	0.12	1.73	19.43	13.77	14.13	1.07	0.61	40.70	22.36	1.63
1300.0	15.07	15.20	0.13	1.79	19.34	12.96	13.52	1.07	0.61	40.12	22.30	1.68
1400.0	14.96	15.10	0.14	1.85	19.29	12.22	12.91	1.06	0.61	39.84	22.35	1.70
1500.0	14.83	15.00	0.17	1.87	19.23	11.53	12.40	1.06	0.61	40.74	22.41	1.76
1600.0	14.71	14.90	0.19	1.88	19.15	10.86	11.84	1.05	0.61	40.05	22.28	1.82
1700.0	14.57	14.76	0.19	1.82	19.08	10.26	11.36	1.05	0.61	39.06	22.05	1.74
1800.0	14.43	14.63	0.20	1.89	19.02	9.70	10.90	1.04	0.61	39.74	22.10	1.78
1900.0	14.27	14.50	0.23	1.82	18.97	9.16	10.47	1.03	0.62	39.39	21.96	1.83
2000.0	14.11	14.35	0.24	1.78	18.90	8.66	10.07	1.03	0.62	39.62	21.95	1.83
2100.0	13.95	14.18	0.23	1.70	18.85	8.19	9.64	1.02	0.62	40.56	22.05	1.87
2200.0	13.77	14.00	0.23	1.69	18.81	7.68	9.19	1.02	0.62	39.07	21.70	1.86
2300.0	13.59	13.82	0.23	1.65	18.76	7.21	8.82	1.01	0.63	39.43	21.64	1.96
2400.0	13.40	13.61	0.21	1.64	18.71	6.84	8.41	1.00	0.62	39.93	21.69	1.90
2500.0	13.17	13.39	0.22	1.55	18.74	6.42	8.01	1.00	0.63	39.10	21.27	2.03
2600.0	12.97	13.17	0.20	1.45	18.71	6.05	7.71	0.99	0.64	39.17	21.34	2.00
2700.0	12.75	12.95	0.20	1.43	18.68	5.73	7.40	0.99	0.63	39.50	21.27	2.16
2800.0	12.51	12.69	0.18	1.43	18.69	5.35	6.98	0.98	0.63	39.23	21.05	2.16
2900.0	12.25	12.40	0.15	1.48	18.73	5.00	6.65	0.98	0.64	38.15	20.68	2.30
3000.0	11.96	12.12	0.16	1.46	18.79	4.73	6.34	0.98	0.64	38.64	20.75	2.24
3100.0	11.72	11.82	0.10	1.55	18.82	4.41	6.01	0.97	0.64	38.01	20.43	2.26
3200.0	11.44	11.50	0.06	1.43	18.89	4.12	5.71	0.97	0.64	38.22	20.42	2.33
3300.0	11.14	11.20	0.06	1.74	18.94	3.86	5.41	0.96	0.64	38.39	20.42	2.46
3400.0	10.79	10.84	0.05	2.11	19.02	3.59	5.07	0.96	0.64	38.19	20.16	2.56
3500.0	10.51	10.53	0.02	1.91	19.14	3.38	4.83	0.95	0.64	38.09	20.03	2.60
3600.0	10.19	10.22	0.03	2.24	19.24	3.16	4.61	0.95	0.64	37.20	19.76	2.71
3700.0	9.81	9.85	0.04	2.55	19.39	2.94	4.32	0.95	0.63	37.75	19.74	2.83
3800.0	9.46	9.50	0.04	2.46	19.49	2.75	4.07	0.94	0.62	37.63	19.47	2.92
3900.0	9.15	9.17	0.02	2.60	19.61	2.59	3.92	0.93	0.63	37.06	19.28	2.84
4000.0	8.77	8.81	0.04	2.79	19.76	2.45	3.70	0.93	0.62	36.99	19.09	3.02

Typical Performance Data

Definitions:

Input Return Loss = -S11 (dB)

Gain(Power Gain) = S21 (dB)

Reverse Isolation = -S12 (dB)

Output Return Loss = -S22 (dB)

TEST CONDITIONS: Vd =5.25V, Id1 (A1) = 156.08 mA and Id2 (A2) =146.41 mA @ Temperature = -45degC

FREQ	A1		A2		A1 & A2		A1					
	Gain		Amp Unbal	Phase Unbal	Isolation	Input Return Loss	Output Return Loss	Stability		IP-3 Output	1dB Comp. Output	Noise Figure
	(MHz)	(dB)	(dB)	(Deg)	(dB)	(dB)	(dB)	K	Measure	(dBm)	(dBm)	(dB)
50.0	17.50	17.44	0.06	0.43	21.02	11.88	13.50	0.95	0.64	44.48	23.10	1.66
100.0	16.41	16.40	0.01	0.58	20.34	16.45	16.69	1.05	0.62	40.49	23.21	1.59
200.0	15.99	16.01	0.02	0.62	20.17	20.42	18.66	1.09	0.62	40.20	23.36	1.50
300.0	15.88	15.91	0.03	0.69	20.12	21.18	18.67	1.10	0.62	40.58	23.42	1.50
400.0	15.82	15.86	0.04	0.81	20.10	20.89	18.47	1.11	0.62	39.25	23.25	1.56
500.0	15.77	15.82	0.05	0.92	20.00	20.32	18.30	1.10	0.62	39.78	23.47	1.56
600.0	15.72	15.79	0.07	1.05	19.95	19.46	17.74	1.10	0.61	39.97	23.42	1.57
700.0	15.67	15.74	0.07	1.17	19.90	18.31	17.02	1.10	0.61	39.49	23.45	1.53
800.0	15.60	15.68	0.08	1.27	19.82	17.30	16.47	1.09	0.61	39.52	23.42	1.54
900.0	15.54	15.64	0.10	1.38	19.78	16.42	15.96	1.09	0.61	40.43	23.59	1.58
1000.0	15.46	15.58	0.12	1.47	19.69	15.41	15.20	1.08	0.61	38.81	23.24	1.63
1100.0	15.37	15.50	0.13	1.55	19.62	14.50	14.54	1.08	0.61	39.15	23.43	1.65
1200.0	15.29	15.43	0.14	1.62	19.57	13.72	14.02	1.08	0.61	40.36	23.52	1.69
1300.0	15.18	15.34	0.16	1.64	19.45	12.91	13.43	1.07	0.60	39.56	23.40	1.72
1400.0	15.07	15.23	0.16	1.71	19.41	12.17	12.82	1.06	0.60	39.49	23.46	1.75
1500.0	14.94	15.13	0.19	1.70	19.35	11.48	12.33	1.06	0.61	40.05	23.54	1.77
1600.0	14.82	15.03	0.21	1.72	19.23	10.81	11.79	1.05	0.60	39.58	23.35	1.81
1700.0	14.68	14.89	0.21	1.64	19.22	10.23	11.31	1.05	0.61	38.79	23.08	1.81
1800.0	14.54	14.76	0.22	1.72	19.12	9.67	10.85	1.04	0.61	39.58	23.13	1.82
1900.0	14.38	14.62	0.24	1.63	19.07	9.13	10.44	1.04	0.61	39.19	22.98	1.86
2000.0	14.22	14.47	0.25	1.58	19.01	8.63	10.04	1.03	0.62	39.66	22.97	1.89
2100.0	14.07	14.30	0.23	1.50	18.94	8.17	9.62	1.02	0.61	40.00	23.08	1.95
2200.0	13.88	14.12	0.24	1.47	18.91	7.65	9.17	1.02	0.62	39.01	22.69	1.91
2300.0	13.70	13.94	0.24	1.42	18.85	7.19	8.81	1.01	0.62	39.27	22.63	2.01
2400.0	13.51	13.73	0.22	1.40	18.83	6.82	8.40	1.01	0.62	39.88	22.75	1.95
2500.0	13.29	13.51	0.22	1.31	18.81	6.41	8.00	1.00	0.62	38.92	22.26	2.05
2600.0	13.08	13.29	0.21	1.21	18.79	6.04	7.71	1.00	0.63	39.26	22.38	2.07
2700.0	12.87	13.07	0.20	1.18	18.77	5.72	7.39	0.99	0.63	39.35	22.28	2.19
2800.0	12.62	12.81	0.19	1.20	18.79	5.33	6.98	0.99	0.63	39.42	22.05	2.22
2900.0	12.37	12.52	0.15	1.20	18.82	4.99	6.65	0.98	0.64	38.60	21.66	2.34
3000.0	12.07	12.23	0.16	1.16	18.88	4.72	6.34	0.98	0.64	39.11	21.72	2.28
3100.0	11.83	11.93	0.10	1.28	18.92	4.40	6.01	0.97	0.64	38.56	21.39	2.36
3200.0	11.55	11.61	0.06	1.15	18.98	4.11	5.72	0.97	0.64	38.94	21.39	2.42
3300.0	11.25	11.31	0.06	1.47	19.06	3.85	5.41	0.97	0.64	39.01	21.38	2.56
3400.0	10.90	10.95	0.05	1.84	19.14	3.58	5.07	0.96	0.63	39.03	21.12	2.64
3500.0	10.62	10.65	0.03	1.61	19.21	3.37	4.83	0.96	0.63	38.98	21.00	2.64
3600.0	10.31	10.33	0.02	1.93	19.33	3.15	4.61	0.95	0.63	38.53	20.72	2.82
3700.0	9.92	9.96	0.04	2.28	19.46	2.92	4.32	0.95	0.63	39.07	20.66	2.96
3800.0	9.57	9.61	0.04	2.17	19.56	2.72	4.06	0.94	0.62	38.74	20.42	3.02
3900.0	9.27	9.28	0.01	2.29	19.72	2.58	3.92	0.94	0.63	38.52	20.22	3.06
4000.0	8.89	8.93	0.04	2.50	19.84	2.43	3.70	0.93	0.62	38.83	20.00	3.17

Typical Performance Data

Definitions:

Input Return Loss = -S11 (dB)

Gain(Power Gain) = S21 (dB)

Reverse Isolation = -S12 (dB)

Output Return Loss = -S22 (dB)

TEST CONDITIONS: Vd = 5.00V, Id1(A1) = 144.79 mA and Id2 (A2) = 136.99 mA @ Temperature = +85degC

FREQ	A1		A2		A1 & A2		A1					
	Gain		Amp Unbal	Phase Unbal	Isolation	Input Return Loss	Output Return Loss	Stability		IP-3 Output	1dB Comp. Output	Noise Figure
	(MHz)	(dB)	(dB)	(Deg)	(dB)	(dB)	(dB)	K	Measure	(dBm)	(dBm)	(dB)
50.0	17.81	17.77	0.04	0.59	21.73	11.26	14.12	0.99	0.66	43.39	22.40	2.10
100.0	17.04	17.06	0.02	0.64	21.19	15.23	19.18	1.07	0.65	44.53	22.42	1.99
200.0	16.76	16.80	0.04	0.61	20.98	17.86	23.13	1.10	0.64	44.27	22.62	1.92
300.0	16.66	16.71	0.05	0.67	20.89	17.87	24.16	1.10	0.64	45.90	22.73	2.05
400.0	16.60	16.66	0.06	0.77	20.82	17.85	24.39	1.10	0.64	43.41	22.43	2.09
500.0	16.54	16.61	0.07	0.89	20.78	17.74	23.32	1.10	0.65	44.93	22.70	2.10
600.0	16.48	16.56	0.08	1.00	20.69	17.30	22.29	1.09	0.65	44.35	22.63	2.11
700.0	16.41	16.50	0.09	1.08	20.57	16.64	21.54	1.08	0.65	44.94	22.63	2.11
800.0	16.32	16.43	0.11	1.20	20.47	16.02	20.49	1.08	0.65	44.28	22.57	2.13
900.0	16.23	16.36	0.13	1.28	20.35	15.41	19.18	1.07	0.65	46.02	22.80	2.19
1000.0	16.14	16.28	0.14	1.34	20.26	14.71	18.12	1.06	0.65	43.06	22.34	2.20
1100.0	16.03	16.18	0.15	1.42	20.13	13.96	17.28	1.05	0.65	44.54	22.60	2.29
1200.0	15.91	16.09	0.18	1.47	20.00	13.27	16.44	1.04	0.65	45.90	22.72	2.31
1300.0	15.78	15.98	0.20	1.46	19.91	12.62	15.55	1.04	0.66	44.96	22.51	2.35
1400.0	15.65	15.85	0.20	1.48	19.77	11.96	14.79	1.03	0.66	44.36	22.59	2.37
1500.0	15.50	15.72	0.22	1.49	19.66	11.30	14.11	1.02	0.66	45.18	22.66	2.46
1600.0	15.34	15.58	0.24	1.43	19.55	10.65	13.33	1.01	0.66	44.19	22.39	2.50
1700.0	15.16	15.41	0.25	1.36	19.48	10.05	12.64	1.01	0.67	43.62	22.07	2.50
1800.0	14.98	15.24	0.26	1.37	19.37	9.49	12.08	1.00	0.67	44.91	22.12	2.51
1900.0	14.78	15.06	0.28	1.18	19.33	8.97	11.48	1.00	0.68	44.59	21.91	2.58
2000.0	14.58	14.86	0.28	1.13	19.21	8.43	10.85	0.99	0.68	45.50	21.87	2.64
2100.0	14.37	14.64	0.27	1.02	19.14	7.96	10.38	0.98	0.69	44.63	22.00	2.69
2200.0	14.15	14.41	0.26	0.92	19.10	7.51	9.92	0.97	0.69	43.88	21.53	2.67
2300.0	13.91	14.18	0.27	0.85	19.09	7.02	9.46	0.97	0.70	44.85	21.48	2.79
2400.0	13.67	13.92	0.25	0.79	19.01	6.63	8.99	0.97	0.70	46.93	21.57	2.79
2500.0	13.41	13.63	0.22	0.67	19.01	6.23	8.56	0.96	0.71	43.81	21.06	2.92
2600.0	13.14	13.36	0.22	0.62	19.02	5.86	8.16	0.96	0.72	44.22	21.18	2.93
2700.0	12.86	13.06	0.20	0.47	19.04	5.51	7.77	0.96	0.73	45.21	21.06	3.09
2800.0	12.55	12.73	0.18	0.52	19.05	5.16	7.35	0.95	0.73	44.59	20.89	3.13
2900.0	12.26	12.40	0.14	0.63	19.10	4.84	7.02	0.95	0.74	45.07	20.46	3.26
3000.0	11.92	12.07	0.15	0.66	19.13	4.57	6.68	0.95	0.74	46.33	20.57	3.21
3100.0	11.65	11.71	0.06	0.56	19.17	4.30	6.43	0.95	0.75	44.49	20.25	3.36
3200.0	11.31	11.35	0.04	0.59	19.24	4.05	6.14	0.95	0.75	45.16	20.24	3.43
3300.0	10.97	11.02	0.05	0.96	19.30	3.82	5.82	0.94	0.75	47.72	20.17	3.57
3400.0	10.61	10.64	0.03	0.93	19.42	3.60	5.53	0.94	0.76	45.57	20.01	3.69
3500.0	10.28	10.27	0.01	1.05	19.50	3.40	5.30	0.94	0.76	46.27	19.86	3.75
3600.0	9.93	9.93	0.00	1.49	19.59	3.21	5.03	0.94	0.75	47.63	19.51	3.95
3700.0	9.54	9.56	0.02	1.66	19.71	3.02	4.77	0.94	0.75	47.40	19.52	4.04
3800.0	9.20	9.18	0.02	1.57	19.86	2.87	4.57	0.94	0.75	47.13	19.33	4.16
3900.0	8.84	8.82	0.02	1.92	19.94	2.72	4.39	0.93	0.75	48.03	19.07	4.23
4000.0	8.48	8.47	0.01	1.90	20.07	2.62	4.18	0.94	0.74	47.37	18.92	4.34

Typical Performance Data

Definitions:

Input Return Loss = -S11 (dB)

Gain(Power Gain) = S21 (dB)

Reverse Isolation = -S12 (dB)

Output Return Loss = -S22 (dB)

TEST CONDITIONS: Vd = 4.75V, Id1(A1) = 131.62 mA and Id2 (A2) = 124.37 mA @ Temperature = +85degC

FREQ	A1		A2		A1 & A2		A1					
	Gain		Amp Unbal	Phase Unbal	Isolation	Input Return Loss	Output Return Loss	Stability		IP-3 Output	1dB Comp. Output	Noise Figure
	(MHz)	(dB)	(dB)	(Deg)	(dB)	(dB)	(dB)	K	Measure	(dBm)	(dBm)	(dB)
50.0	17.77	17.71	0.06	0.53	21.46	11.09	14.24	0.98	0.64	42.68	21.88	2.08
100.0	17.01	17.01	0.00	0.53	21.08	15.01	19.16	1.06	0.64	43.83	21.89	2.00
200.0	16.73	16.75	0.02	0.52	20.93	17.50	23.22	1.09	0.64	45.51	22.09	1.87
300.0	16.63	16.67	0.04	0.60	20.90	17.55	24.22	1.10	0.65	46.21	22.17	1.98
400.0	16.58	16.62	0.04	0.72	20.85	17.55	24.44	1.10	0.65	45.09	21.91	2.04
500.0	16.52	16.57	0.05	0.83	20.76	17.43	23.52	1.09	0.65	46.12	22.16	2.07
600.0	16.45	16.51	0.06	0.92	20.67	17.04	22.42	1.09	0.65	46.95	22.10	2.06
700.0	16.38	16.45	0.07	1.02	20.55	16.43	21.66	1.08	0.65	46.24	22.11	2.09
800.0	16.29	16.38	0.09	1.13	20.42	15.83	20.64	1.07	0.65	46.08	22.05	2.11
900.0	16.21	16.31	0.10	1.19	20.33	15.25	19.26	1.07	0.65	48.55	22.25	2.16
1000.0	16.10	16.23	0.13	1.26	20.21	14.59	18.22	1.06	0.65	44.11	21.83	2.18
1100.0	16.00	16.13	0.13	1.36	20.10	13.89	17.37	1.05	0.65	46.64	22.05	2.24
1200.0	15.88	16.04	0.16	1.39	19.97	13.20	16.51	1.04	0.66	46.95	22.18	2.28
1300.0	15.75	15.93	0.18	1.37	19.85	12.57	15.61	1.03	0.66	47.18	22.00	2.34
1400.0	15.62	15.80	0.18	1.39	19.71	11.90	14.84	1.02	0.66	45.84	22.07	2.32
1500.0	15.46	15.67	0.21	1.37	19.62	11.28	14.18	1.02	0.66	49.07	22.15	2.44
1600.0	15.30	15.53	0.23	1.35	19.52	10.63	13.36	1.01	0.67	46.50	21.90	2.47
1700.0	15.13	15.36	0.23	1.26	19.38	10.04	12.69	1.00	0.67	45.39	21.59	2.46
1800.0	14.95	15.19	0.24	1.24	19.30	9.48	12.09	0.99	0.67	46.87	21.64	2.47
1900.0	14.74	15.01	0.27	1.08	19.27	8.95	11.48	0.99	0.68	46.95	21.43	2.56
2000.0	14.54	14.80	0.26	1.03	19.16	8.42	10.87	0.98	0.68	48.47	21.40	2.61
2100.0	14.33	14.59	0.26	0.90	19.09	7.96	10.40	0.98	0.69	48.54	21.51	2.66
2200.0	14.10	14.36	0.26	0.81	19.05	7.50	9.92	0.97	0.70	46.47	21.05	2.67
2300.0	13.87	14.12	0.25	0.73	19.00	7.02	9.46	0.97	0.70	47.47	21.00	2.76
2400.0	13.63	13.86	0.23	0.64	18.96	6.63	9.01	0.96	0.71	54.86	21.08	2.75
2500.0	13.36	13.57	0.21	0.54	18.96	6.23	8.56	0.96	0.72	47.05	20.59	2.86
2600.0	13.08	13.30	0.22	0.47	18.97	5.86	8.18	0.96	0.72	49.06	20.68	2.89
2700.0	12.81	13.00	0.19	0.34	18.98	5.51	7.77	0.95	0.73	54.54	20.59	3.05
2800.0	12.50	12.66	0.16	0.37	18.98	5.16	7.36	0.95	0.73	51.89	20.39	3.12
2900.0	12.20	12.33	0.13	0.45	19.02	4.85	7.01	0.95	0.74	51.35	19.98	3.28
3000.0	11.87	12.01	0.14	0.48	19.10	4.57	6.68	0.95	0.75	48.44	20.08	3.22
3100.0	11.58	11.64	0.06	0.41	19.13	4.29	6.44	0.94	0.75	49.17	19.77	3.28
3200.0	11.25	11.28	0.03	0.41	19.20	4.05	6.14	0.94	0.76	50.71	19.75	3.41
3300.0	10.91	10.95	0.04	0.77	19.26	3.82	5.81	0.94	0.76	48.63	19.67	3.54
3400.0	10.54	10.57	0.03	0.75	19.37	3.60	5.53	0.94	0.76	50.23	19.52	3.66
3500.0	10.21	10.20	0.01	0.82	19.47	3.41	5.30	0.94	0.76	49.45	19.35	3.69
3600.0	9.86	9.85	0.01	1.25	19.53	3.22	5.05	0.94	0.76	45.70	19.02	3.87
3700.0	9.47	9.48	0.01	1.43	19.68	3.03	4.78	0.94	0.76	45.37	19.02	4.03
3800.0	9.13	9.10	0.03	1.35	19.84	2.88	4.57	0.93	0.76	46.89	18.83	4.18
3900.0	8.77	8.75	0.02	1.70	19.95	2.73	4.41	0.93	0.76	43.90	18.59	4.23
4000.0	8.41	8.39	0.02	1.65	20.02	2.63	4.19	0.93	0.75	43.45	18.45	4.40

Typical Performance Data

Definitions:

Input Return Loss = -S11 (dB)

Gain(Power Gain) = S21 (dB)

Reverse Isolation = -S12 (dB)

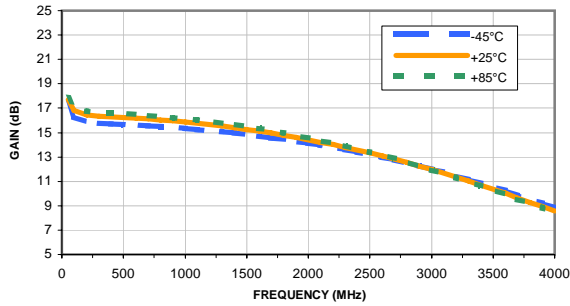
Output Return Loss = -S22 (dB)

TEST CONDITIONS: Vd = 5.25V, Id1(A1) = 157.33 mA and Id2 (A2) = 149.61 mA @ Temperature = +85degC

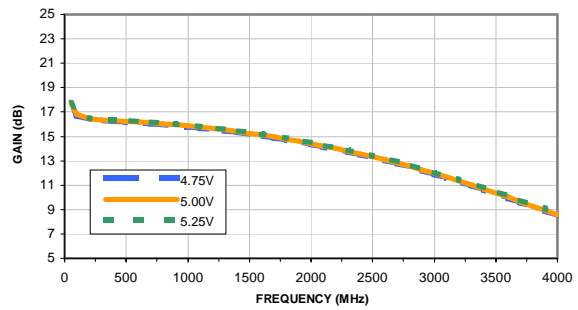
FREQ	A1		A2		A1 & A2		A1					
	Gain		Amp Unbal	Phase Unbal	Isolation	Input Return Loss	Output Return Loss	Stability		IP-3 Output	1dB Comp. Output	Noise Figure
	(MHz)	(dB)	(dB)	(Deg)	(dB)	(dB)	(dB)	K	Measure	(dBm)	(dBm)	(dB)
50.0	17.87	17.83	0.04	0.53	21.97	11.24	14.31	1.00	0.68	43.71	22.88	2.20
100.0	17.13	17.13	0.00	0.51	21.24	15.11	19.26	1.07	0.65	43.46	22.86	2.07
200.0	16.85	16.88	0.03	0.52	21.07	17.59	23.41	1.10	0.64	44.49	23.05	2.07
300.0	16.76	16.80	0.04	0.58	20.96	17.61	24.47	1.10	0.64	45.65	23.16	2.07
400.0	16.70	16.75	0.05	0.68	20.94	17.59	24.68	1.10	0.65	43.51	22.84	2.09
500.0	16.64	16.70	0.06	0.80	20.85	17.47	23.82	1.09	0.64	43.83	23.10	2.16
600.0	16.57	16.64	0.07	0.91	20.77	17.07	22.70	1.09	0.65	44.39	23.03	2.15
700.0	16.50	16.58	0.08	1.01	20.68	16.45	21.91	1.08	0.65	44.35	23.03	2.12
800.0	16.42	16.52	0.10	1.11	20.56	15.86	20.90	1.08	0.65	43.80	22.97	2.19
900.0	16.33	16.44	0.11	1.18	20.47	15.28	19.50	1.07	0.65	44.41	23.20	2.23
1000.0	16.23	16.36	0.13	1.27	20.36	14.62	18.43	1.06	0.65	42.45	22.72	2.26
1100.0	16.12	16.27	0.15	1.34	20.21	13.90	17.62	1.05	0.65	43.28	22.95	2.32
1200.0	16.01	16.17	0.16	1.36	20.10	13.21	16.73	1.04	0.66	44.32	23.11	2.36
1300.0	15.87	16.06	0.19	1.37	19.99	12.56	15.83	1.04	0.66	43.19	22.91	2.41
1400.0	15.74	15.94	0.20	1.37	19.86	11.90	15.06	1.03	0.66	43.49	22.98	2.46
1500.0	15.59	15.81	0.22	1.38	19.74	11.29	14.36	1.02	0.66	44.19	23.07	2.51
1600.0	15.43	15.67	0.24	1.34	19.65	10.65	13.55	1.01	0.67	43.58	22.82	2.57
1700.0	15.25	15.50	0.25	1.24	19.50	10.04	12.88	1.00	0.67	42.32	22.47	2.57
1800.0	15.07	15.33	0.26	1.22	19.47	9.48	12.28	1.00	0.68	43.14	22.53	2.56
1900.0	14.86	15.15	0.29	1.04	19.40	8.98	11.66	0.99	0.68	42.35	22.31	2.63
2000.0	14.66	14.95	0.29	0.98	19.30	8.42	11.02	0.98	0.69	43.41	22.31	2.69
2100.0	14.46	14.73	0.27	0.86	19.22	7.95	10.54	0.98	0.69	42.93	22.42	2.74
2200.0	14.23	14.50	0.27	0.77	19.15	7.51	10.07	0.97	0.70	42.26	21.93	2.75
2300.0	13.99	14.27	0.28	0.65	19.13	7.02	9.61	0.97	0.71	42.59	21.90	2.89
2400.0	13.75	14.01	0.26	0.59	19.09	6.62	9.13	0.96	0.71	43.26	21.98	2.85
2500.0	13.49	13.72	0.23	0.46	19.08	6.23	8.69	0.96	0.72	41.46	21.47	2.98
2600.0	13.21	13.45	0.24	0.40	19.09	5.86	8.30	0.96	0.73	41.86	21.57	2.99
2700.0	12.93	13.15	0.22	0.23	19.11	5.51	7.89	0.96	0.73	42.24	21.46	3.14
2800.0	12.63	12.82	0.19	0.27	19.08	5.15	7.45	0.95	0.74	41.97	21.28	3.24
2900.0	12.33	12.49	0.16	0.35	19.15	4.84	7.12	0.95	0.75	41.28	20.84	3.35
3000.0	11.99	12.16	0.17	0.38	19.18	4.56	6.78	0.95	0.75	42.38	20.96	3.35
3100.0	11.71	11.80	0.09	0.27	19.25	4.29	6.53	0.95	0.76	41.44	20.64	3.43
3200.0	11.38	11.44	0.06	0.24	19.33	4.04	6.24	0.95	0.77	41.87	20.66	3.56
3300.0	11.04	11.11	0.07	0.63	19.38	3.81	5.90	0.94	0.76	41.92	20.57	3.66
3400.0	10.67	10.73	0.06	0.58	19.47	3.59	5.62	0.94	0.77	41.80	20.43	3.81
3500.0	10.34	10.36	0.02	0.65	19.56	3.40	5.39	0.94	0.77	41.48	20.24	3.88
3600.0	10.00	10.02	0.02	1.05	19.64	3.21	5.12	0.94	0.77	41.27	19.90	4.04
3700.0	9.60	9.64	0.04	1.23	19.79	3.03	4.85	0.94	0.76	41.92	19.91	4.22
3800.0	9.26	9.26	0.00	1.13	19.95	2.86	4.64	0.94	0.76	41.20	19.70	4.31
3900.0	8.91	8.91	0.00	1.42	19.99	2.72	4.48	0.93	0.76	41.32	19.45	4.41
4000.0	8.54	8.56	0.02	1.43	20.10	2.61	4.26	0.93	0.76	41.46	19.32	4.50

Typical Performance Curves

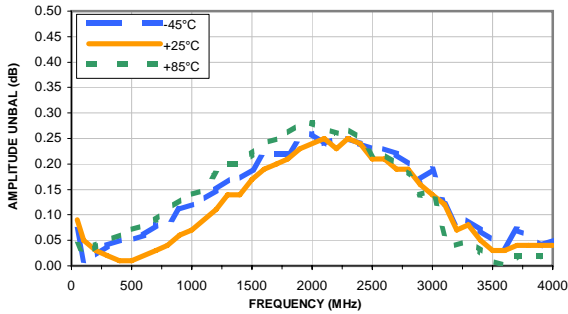
GAIN vs. FREQUENCY & TEMPERATURE
INPUT POWER = -25dBm, Vd = 5.00V



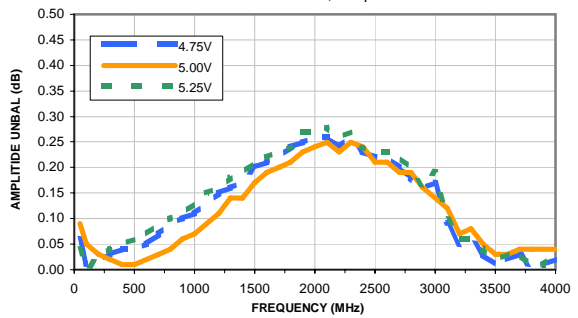
GAIN vs. FREQUENCY & DEVICE VOLTAGE
INPUT POWER = -25dBm, Temperature = +25°C



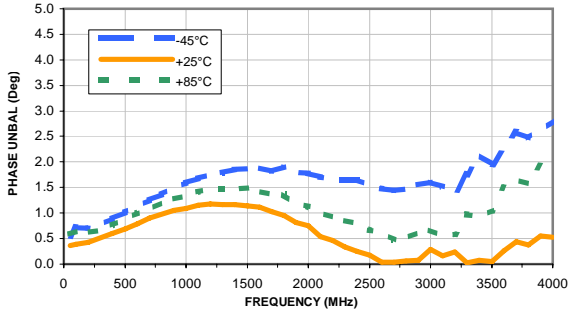
AMPLITUDE UNBALANCE vs. FREQUENCY & TEMPERATURE
INPUT POWER = -25dBm, Vd = 5.00V



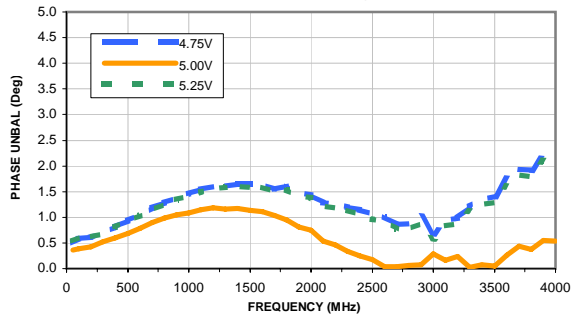
AMPLITUDE UNBALANCE vs. FREQUENCY & DEVICE VOLTAGE
INPUT POWER = -25dBm, Temperature = +25°C



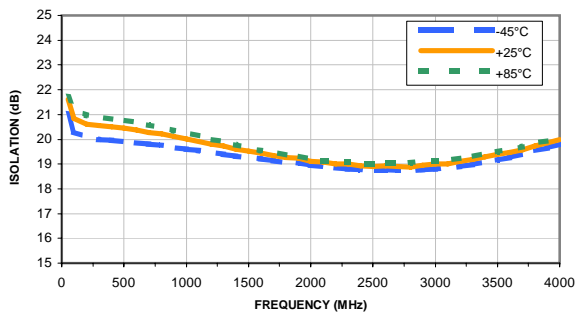
PHASE UNBALANCE vs. FREQUENCY & TEMPERATURE
INPUT POWER = -25dBm, Vd = 5.00V



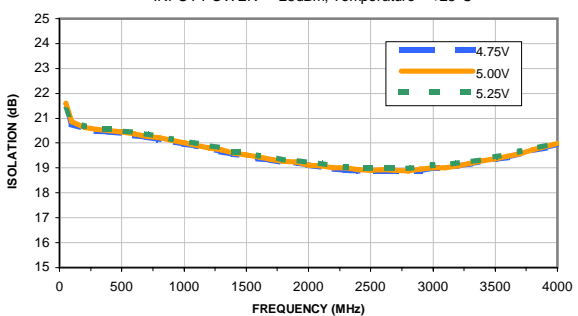
PHASE UNBALANCE vs. FREQUENCY & DEVICE VOLTAGE
INPUT POWER = -25dBm, Temperature = +25°C



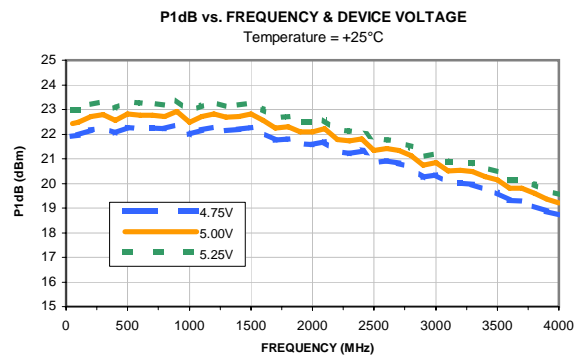
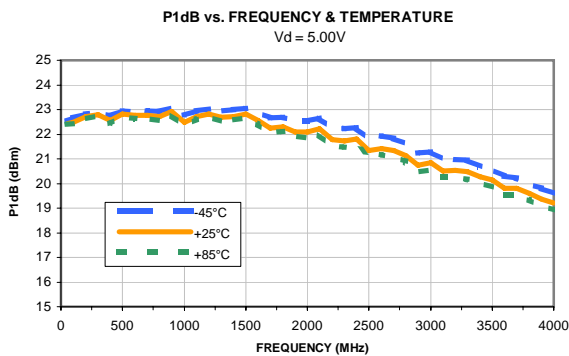
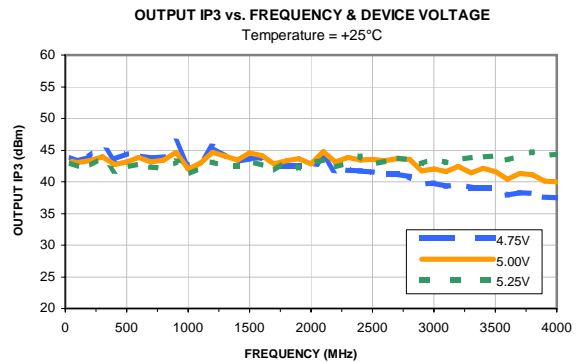
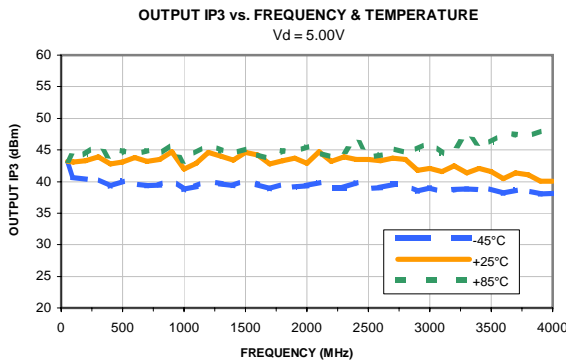
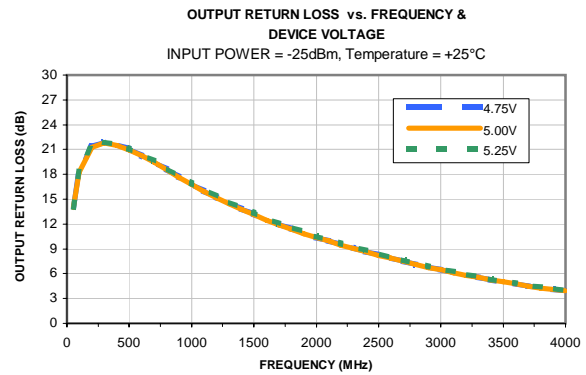
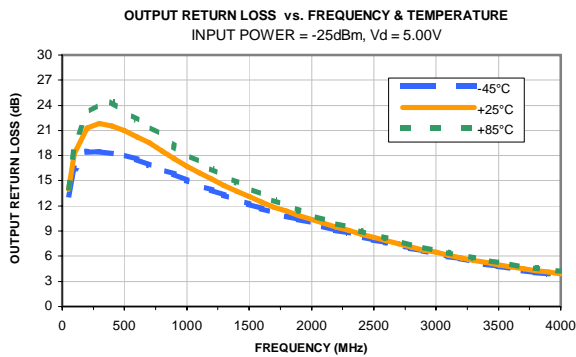
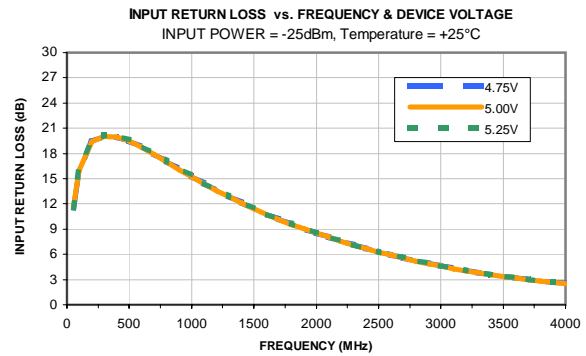
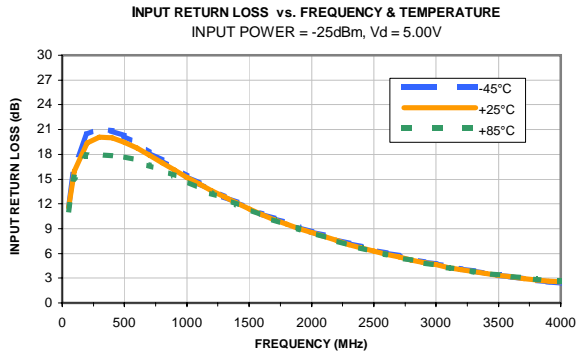
ISOLATION vs. FREQUENCY & TEMPERATURE
INPUT POWER = -25dBm, Vd = 5.00V



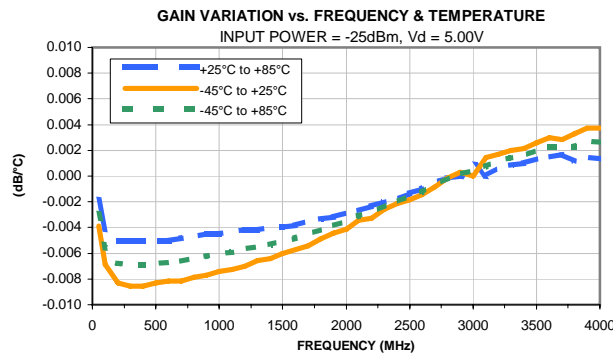
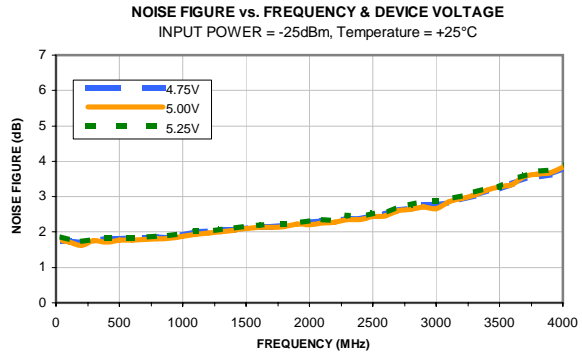
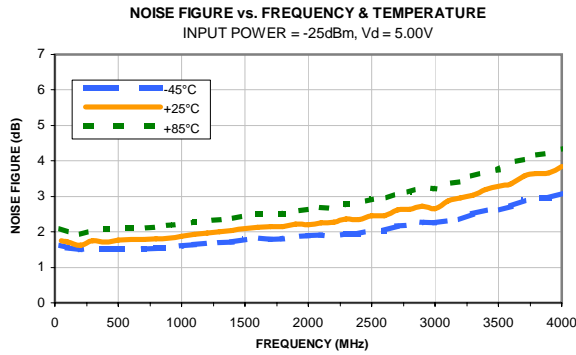
ISOLATION vs. FREQUENCY & DEVICE VOLTAGE
INPUT POWER = -25dBm, Temperature = +25°C



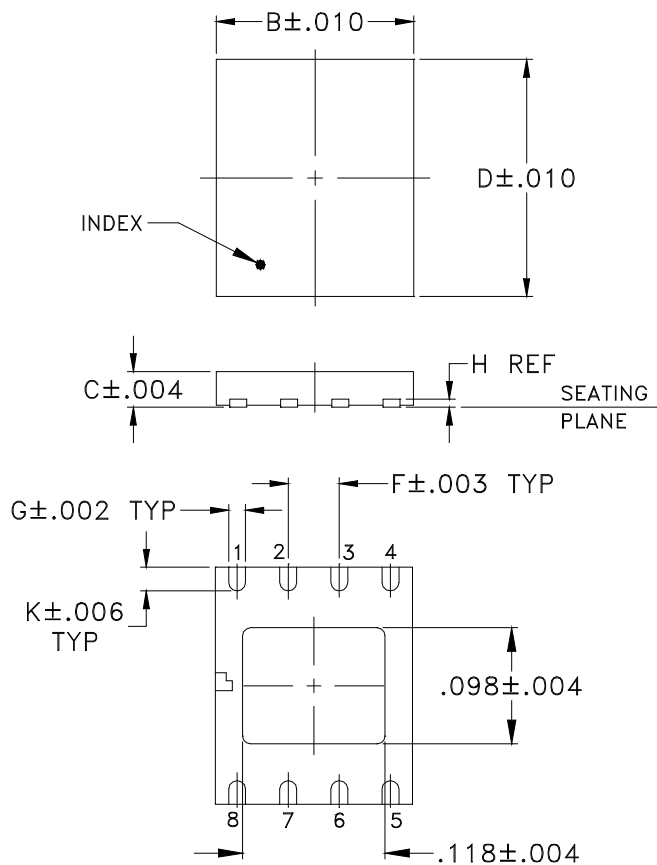
Typical Performance Curves



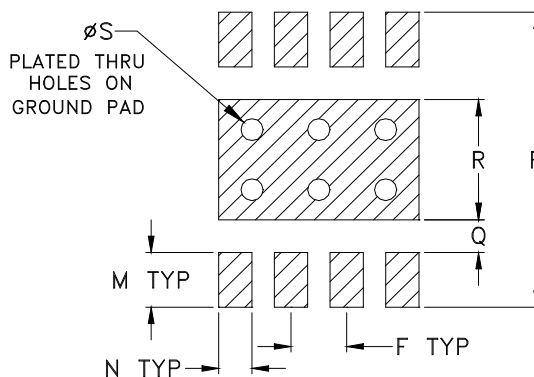
Typical Performance Curves



Outline Dimensions



PCB Land Pattern



Suggested Layout,
Tolerance to be within $\pm .002$

CASE #	A	B	C	D	E	F	G	H	J	K	L	M	N
DL1020	--	.193 (4.90)	.035 (0.90)	.236 (6.00)	--	.050 (1.27)	.017 (0.42)	.008 (0.20)	--	.024 (0.60)	--	.050 (1.27)	.030 (0.76)

CASE #	P	Q	R	S	T	WT. GRAM
DL1020	.270 (6.86)	.030 (0.76)	.110 (2.79)	.020 (0.51)	--	.08

Dimensions are in inches (mm). Tolerances: 2 Pl. $\pm .01$; 3Pl. $\pm .004$

Notes:

- Case material: Plastic.
- Termination finish:
For RoHS Case Styles: Tin-Silver alloy plate over Nickel barrier. All models, (+) suffix.
For RoHS-5 Case Styles: Tin-Lead plate. All models, no (+) suffix.



P.O. Box 350166, Brooklyn, New York 11235-0003 (718) 934-4500 Fax (718) 332-4661 For detailed performance specs & shopping online see Mini-Circuits web site

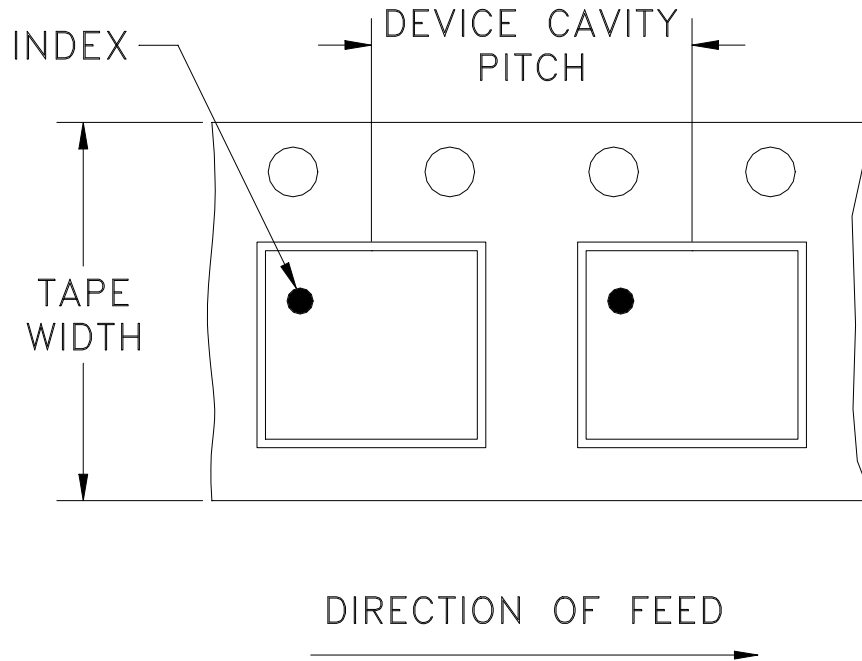


The Design Engineers Search Engine Provides ACTUAL Data Instantly From MINI-CIRCUITS At: www.minicircuits.com

RF/IF MICROWAVE COMPONENTS

Tape & Reel Packaging TR-F68

DEVICE ORIENTATION IN T&R



Tape Width, mm	Device Cavity Pitch, mm	Reel Size, inches	Devices per Reel see note	
12	8	7	Small quantity standard	20
				50
				100
				200
				500
		7	Standard	1000
		13	Standard	2000
				3000
4000				

Mini-Circuits carrier tape materials provide protection from ESD (Electro-Static Discharge) during handling and transportation. Tapes are static dissipative and comply with industry standards EIA-481/EIA-541.

Go to: www.minicircuits.com/pages/pdfs/tape.pdf



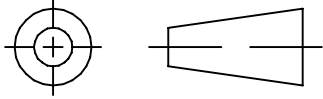
INTERNET <http://www.minicircuits.com>

P.O. Box 350166, Brooklyn, New York 11235-0003 (718) 934-4500 Fax (718) 332-4661

Distribution Centers NORTH AMERICA 800-654-7949 • 417-335-5935 • Fax 417-335-5945 • EUROPE 44-1252-832600 • Fax 44-1252-837010

Mini-Circuits ISO 9001 & ISO 14001 Certified

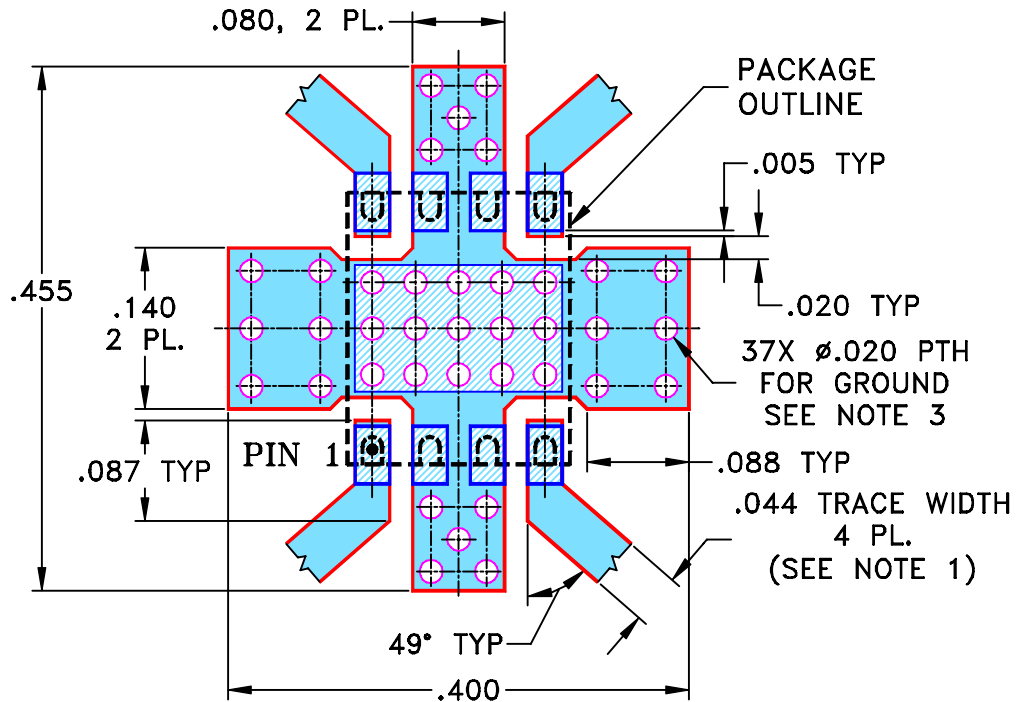
THIRD ANGLE PROJECTION



REVISIONS

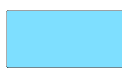
REV	ECN No.	DESCRIPTION	DATE	DR	AUTH
OR	M125629	NEW RELEASE	04/20/10	MMG	RD

SUGGESTED MOUNTING CONFIGURATION FOR DL1020 CASE STYLE, "08AM04" PIN CODE



NOTES:

1. TRACE WIDTH IS SHOWN FOR ROGERS R04350B WITH DIELECTRIC THICKNESS .020" ± .0015". COPPER: 1/2 OZ. EACH SIDE. FOR OTHER MATERIALS TRACE WIDTH MAY NEED TO BE MODIFIED.
2. BOTTOM SIDE OF THE PCB IS CONTINUOUS GROUND PLANE.
3. RECOMMEND TO PLUG 15 PTH UNDER THE UNIT TO AVOID SOLDER WICKING.



DENOTES PCB COPPER LAYOUT WITH SMOBC (SOLDER MASK OVER BARE COPPER)



DENOTES COPPER LAND PATTERN FREE OF SOLDER MASK

UNLESS OTHERWISE SPECIFIED	INITIALS	DATE
DIMENSIONS ARE IN INCHES	DRAWN MMG	01/26/10
TOLERANCES ON:	CHECKED IL	04/20/10
2 PL DECIMALS ±	APPROVED RD	04/20/10
3 PL DECIMALS ± .005		
ANGLES ±		
FRACTIONS ±		



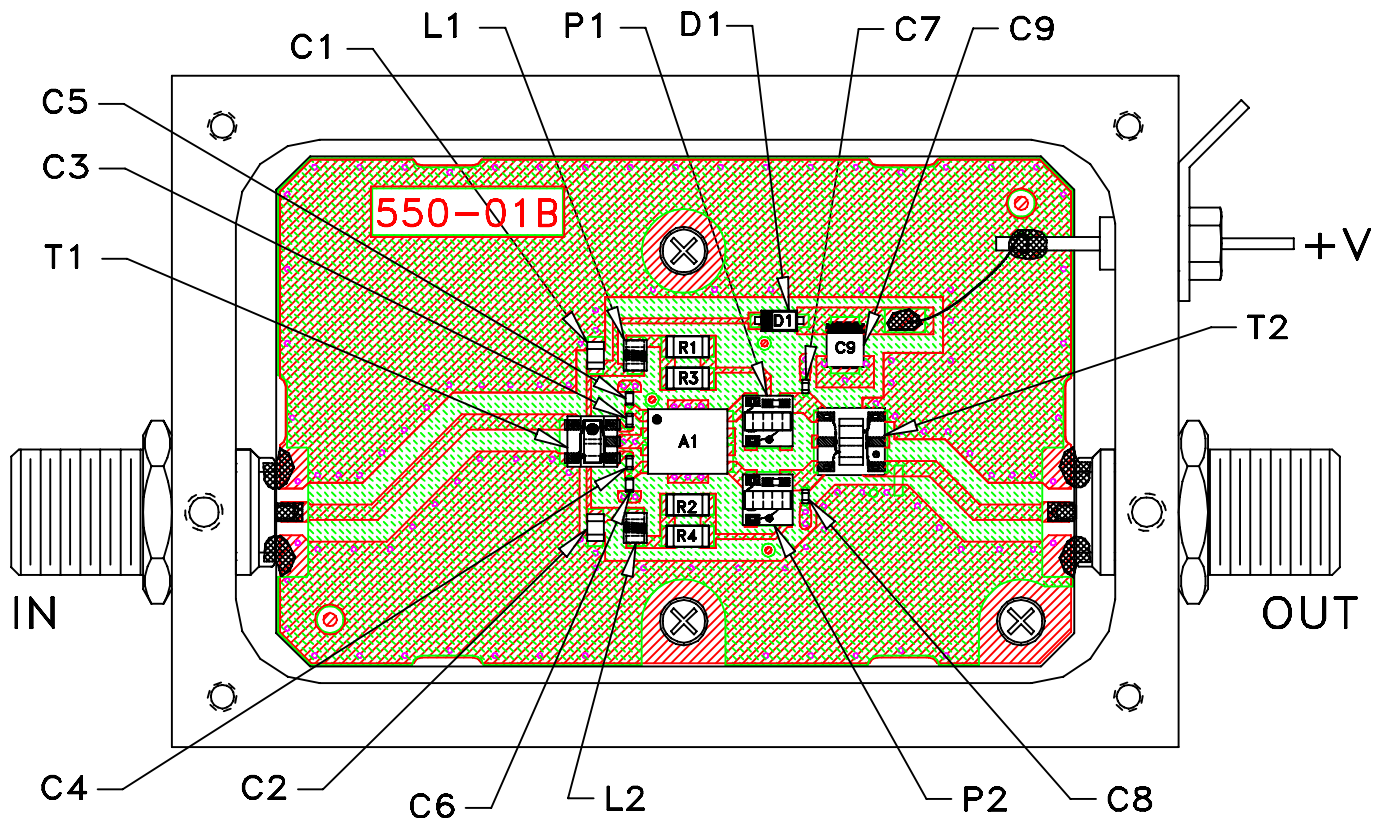
Mini-Circuits® 13 Neptune Avenue
Brooklyn NY 11235

PL, 08AM04, DL1020

Mini-Circuits®
THIS DOCUMENT AND ITS CONTENTS ARE THE PROPERTY OF MINI-CIRCUITS. EXCEPT FOR USE EXPRESSLY GRANTED, IN WRITING, TO ITS VENDORS, VENDEE AND THE UNITED STATES GOVERNMENT, MINI-CIRCUITS RESERVES ALL PROPRIETARY DESIGN, USE, MANUFACTURING AND REPRODUCTION RIGHTS THERETO. THESE CONTENTS SHALL NOT BE USED, DUPLICATED OR DISCLOSED TO ANY OUTSIDE PARTY, IN WHOLE OR IN PART, WITHOUT WRITTEN PERMISSION OF MINI-CIRCUITS.

SIZE A	CODE IDENT 15542	DRAWING NO: 98-PL-322	REV: OR
FILE: 98PL322	SCALE: 6:1	SHEET: 1 OF 1	


Evaluation Board and Circuit



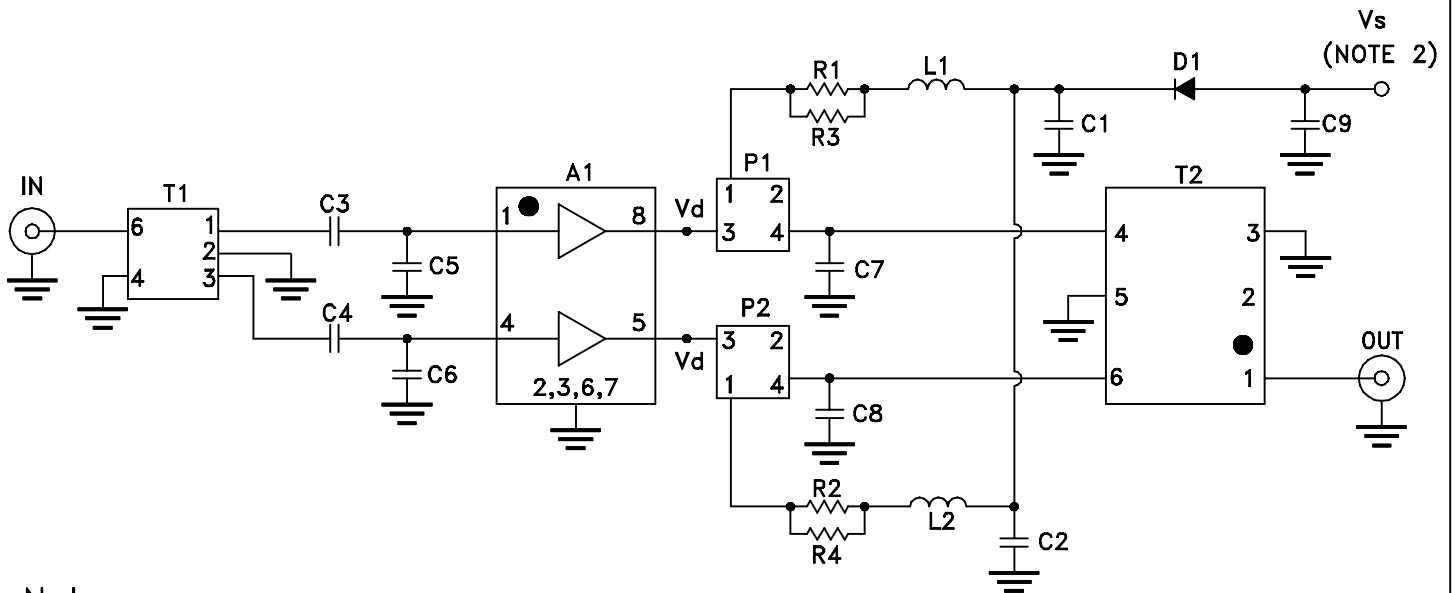
TB-566-75-11+

Notes:

1. 75 Ohm F Female connectors.
2. PCB Material: FR4.
Dielectric Constant=4.7, Thickness=.059 inch.

 **Mini-Circuits®**

Evaluation Board and Circuit

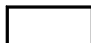


Note:

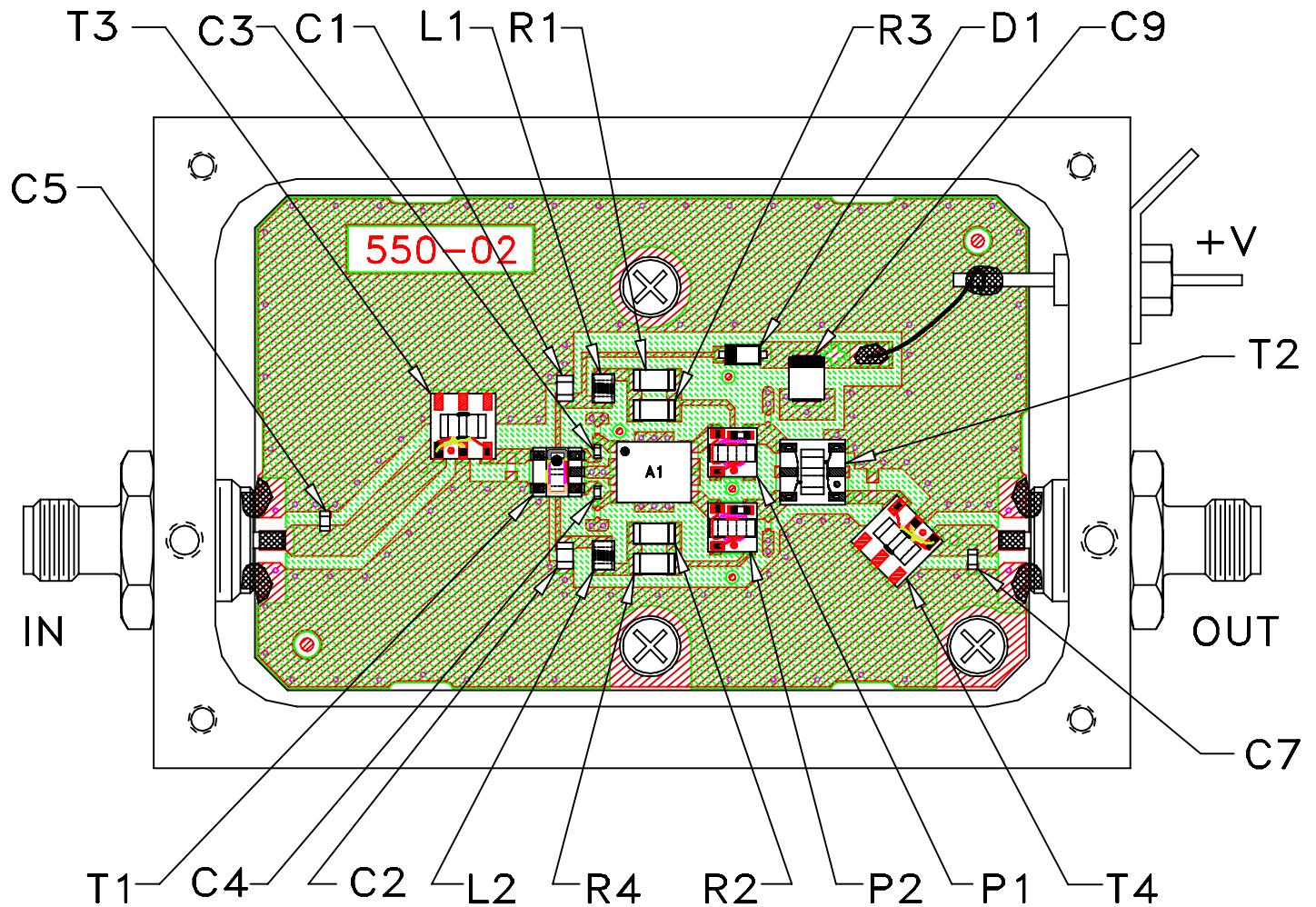
1. Numbers inside the boxes indicate Pin Numbers.
2. Set V_s to obtain $V_d = +5V$.

COMPONENT	VALUE
A1	Mini-Circuits PHA-11+
C1,C2	.039 μF
C3,C4	1000 pF
C5,C6	.75 pF
C7,C8	1.6 pF
C9	1.0 μF
D1	ON Semiconductor: MBR0520LT1G
L1,L2	680 nH
P1,P2	Mini-Circuits TCBT-6G+
R1,R2	11.5 Ohm
R3,R4	7.50 Ohm
T1	Mini-Circuits TC1.33-282+
T2	Mini-Circuits TRS1-23-75+

Schematic Diagram

 Mini-Circuits®


Evaluation Board and Circuit



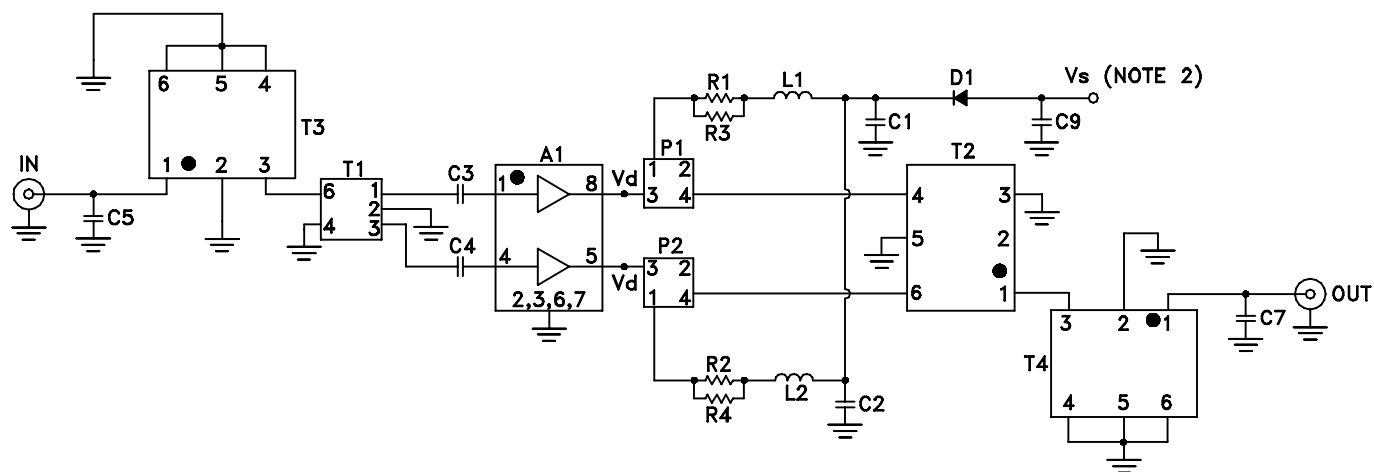
TB-566-50-11+

Notes:

1. 50 Ohm SMA Female connectors.
2. PCB Material: FR4.
Dielectric Constant=4.7, Thickness=.059 inch.

 **Mini-Circuits®**

Evaluation Board and Circuit

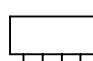


Note:

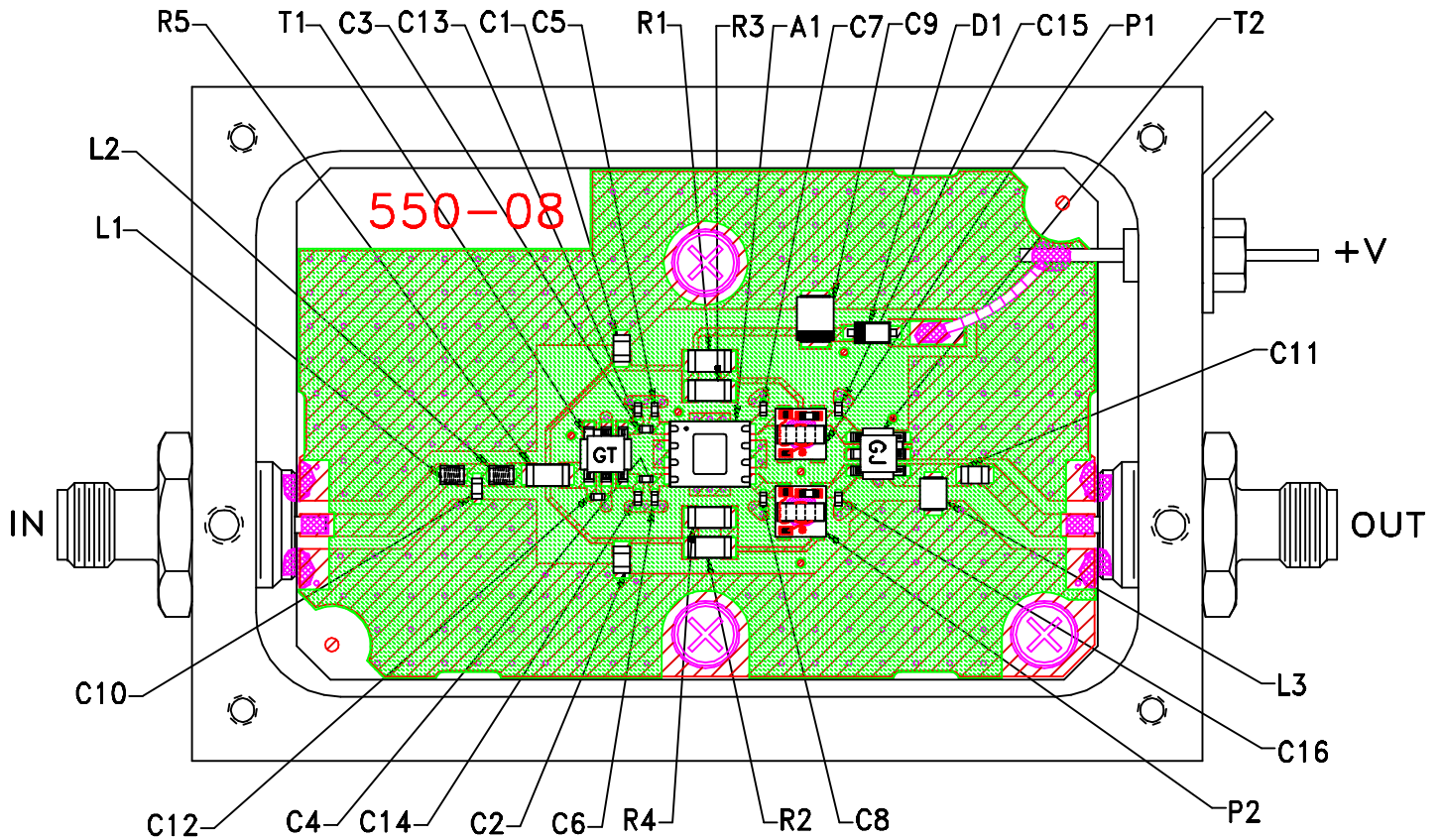
1. Numbers inside the boxes indicate Pin Numbers.
2. Set V_s to obtain $V_d = +5V$.

COMPONENT	VALUE
A1	Mini-Circuits PHA-11+
C1,C2	.039 μF
C3,C4	1000 pF
C5	0.8 pF
C7	1.1 pF
C9	1.0 μF
D1	ON Semiconductor: MBR0520LT1G
L1,L2	680 nH
P1,P2	Mini-Circuits TCBT-6G+
R1,R2	11.5 Ohm
R3,R4	7.50 Ohm
T1	Mini-Circuits TC1.33-282+
T2	Mini-Circuits TRS1-23-75+
T3,T4	Mini-Circuits TRS2-252+

Schematic Diagram

 Mini-Circuits®


Evaluation Board and Circuit



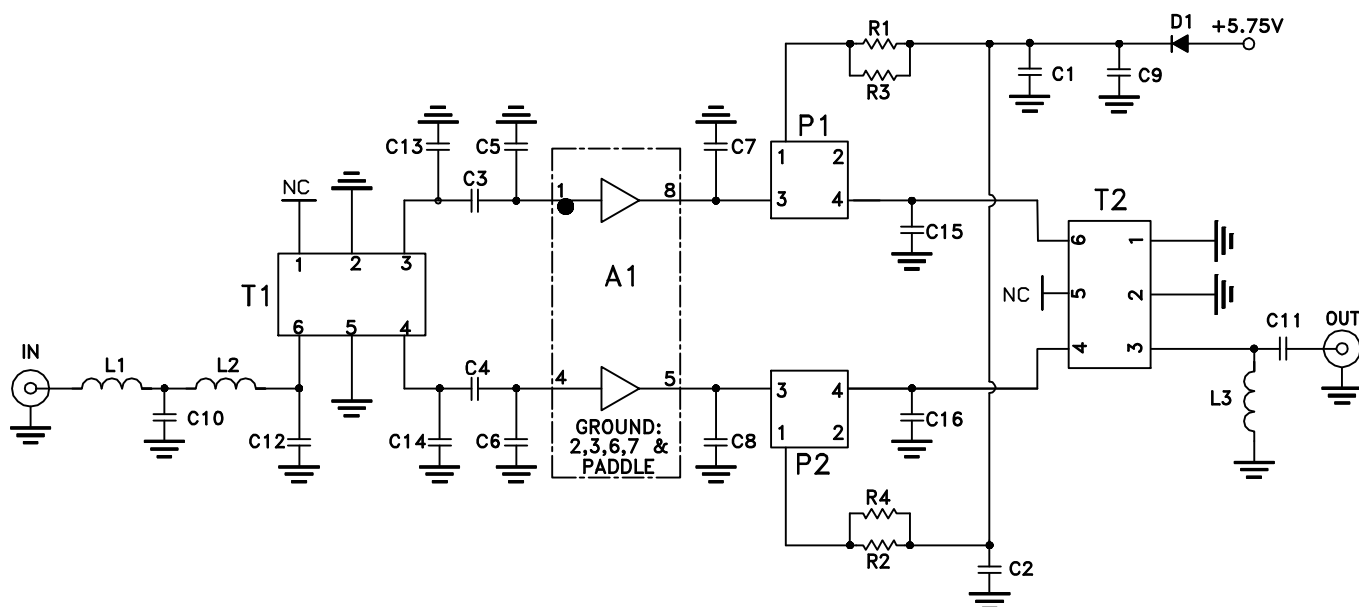
TB-666-50-11+

NOTES:

1. SMA Female connectors.
2. PCB material: Rogers R04350 or equivalent, dielectric constant=3.5, dielectric thickness=.030 inch.

 **Mini-Circuits®**

Evaluation Board and Circuit

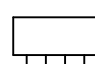


Note:

Numbers inside the boxes indicate Pin Numbers.

COMPONENT	VALUE	SIZE
A1	Mini-Circuits PHA-11+	PER DATA SHEET
C1,C2	.039 uF	0805
C3,C4	.001 uF	0402
C5,C6	.2 pF	0402
C7,C8	1.1 pF	0402
C9	1.0 uF	1311
C10	.4 pF	0603
C11	270 pF	0805
C12	.4 pF	0402
C13	.7 pF	0402
C14	.3 pF	0402
C15	.6 pF	0402
C16	1.0 pF	0402
D1	Diode, Schottky Rectifier Vf=.385V @ .5A, Vr=10V MAX	-
L1,L2	1.1 nH	.073"X.054"
L3	1.5 uH	1008
R1,R2	5.11 Ohm	1206
R3,R4	7.50 Ohm	1206
T1	Mini-Circuits TCM2-33WX+	PER DATA SHEET
T2	Mini-Circuits TCM2-43X+	PER DATA SHEET
P1,P2	Mini-Circuits TCBT-6G+	PER DATA SHEET

Schematic Diagram

 Mini-Circuits®

All Mini-Circuits products are manufactured under exacting quality assurance and control standards, and are capable of meeting published specifications after being subjected to any or all of the following physical and environmental test.

Specification	Test/Inspection Condition	Reference/Spec
Operating Temperature	-45° to 85°C or -40° to 85°C Ambient Environment	Individual Model Data Sheet
Storage Temperature	-65° to 150° C Ambient Environment	Individual Model Data Sheet
Thermal Shock	-55° to 100°C, 100 cycles	MIL-STD-202, Method 107, Condition A-3, except +100°C
Mechanical Shock	1.5Kg, 0.5 ms, 5 shock pulses, Y1 direction only	MIL-STD-883, Method 2002, Condition B, except Y1 direction only
Vibration (Variable Frequency)	50g peak	MIL-STD-883, Method 2007, Condition B
Autoclave	15 psig, 100% RH, 121°C, 96 hours	JESD22-A102, Condition C
HAST	130°C, 85% RH, 96 hours	JESD22-A110
Solderability	10X Magnification	J-STD-002, Para 4.2.5, Test S, 95% Coverage
Solder Reflow Heat	Sn-Pb Eutetic Process: 240°C peak Pb-Free Process: 260°C peak	J-STD-020, Table 4-1, 4-2 and 5-2; Figure 5-1
Moisture Sensitivity: Level 1	Bake at 125°C for 24 hours Soak at 85°C/85% RH for 168 hours, Reflow 3 cycles at 260°C peak	J-STD-020
Marking Resistance to Solvents	Isopropyl alcohol + mineral spirits at 25°C; terpene defluxer at 25°C; distilled water + proylene glycol monomethyl ether +	MIL-STD-202, Method 215



All Mini-Circuits products are manufactured under exacting quality assurance and control standards, and are capable of meeting published specifications after being subjected to any or all of the following physical and environmental test.

Specification	Test/Inspection Condition	Reference/Spec
	monoethanolamine at 63°C to 70°C	