



DESIGNER'S KIT KVEQY-63+

Gain Equalizers

50Ω DC to 6 GHz



FEATURES

- Wideband 50Ω
- Input power 31dBm max.
- 1 to 10dB attenuation slope
- SMA Male and Female connectors
- Rugged Unibody construction
- Length less than 1.5"
- Low cost

MINI-CIRCUITS DESIGNER'S KITS
SPEED UP
THE SOLUTION



KVEQY-63+ ELECTRICAL SPECIFICATIONS

(kit includes 8 models, 1 of each, 8 pcs total)

Model	Frequency (GHz) f_L - f_U	Insertion loss (dB)			VSWR (:1)			Input Power (dBm) Max.
		0.01 GHz	3 GHz	6 GHz	0.01 GHz	3 GHz	6 GHz	
VEQY-1-63+	DC - 6	1.5	1.1	0.6	1.07	1.13	1.07	31
VEQY-2-63+	DC - 6	2.5	1.7	0.6	1.02	1.13	1.18	31
VEQY-3-63+	DC - 6	3.8	2.6	0.8	1.06	1.21	1.25	31
VEQY-4-63+	DC - 6	4.8	2.8	0.8	1.09	1.21	1.14	31
VEQY-5-63+	DC - 6	6.0	3.6	1.2	1.05	1.12	1.14	31
VEQY-6-63+	DC - 6	7.0	2.6	0.6	1.08	1.20	1.12	32
VEQY-8-63+	DC - 6	8.6	2.9	0.6	1.13	1.21	1.06	31
VEQY-10-63+	DC - 6	11.1	5.0	1.2	1.05	1.11	1.21	31

A. Performance and quality attributes and conditions not expressly stated in this specification document are intended to be excluded and do not form a part of this specification document.
 B. Electrical specifications and performance data contained in this specification document are based on Mini-Circuit's applicable established test performance criteria and measurement instructions.
 C. The parts covered by this specification document are subject to Mini-Circuits standard limited warranty and terms and conditions (collectively, "Standard Terms"); Purchasers of this part are entitled to the rights and benefits contained therein. For a full statement of the Standard Terms and the exclusive rights and remedies thereunder, please visit Mini-Circuits' website at www.minicircuits.com/MCLStore/terms.jsp

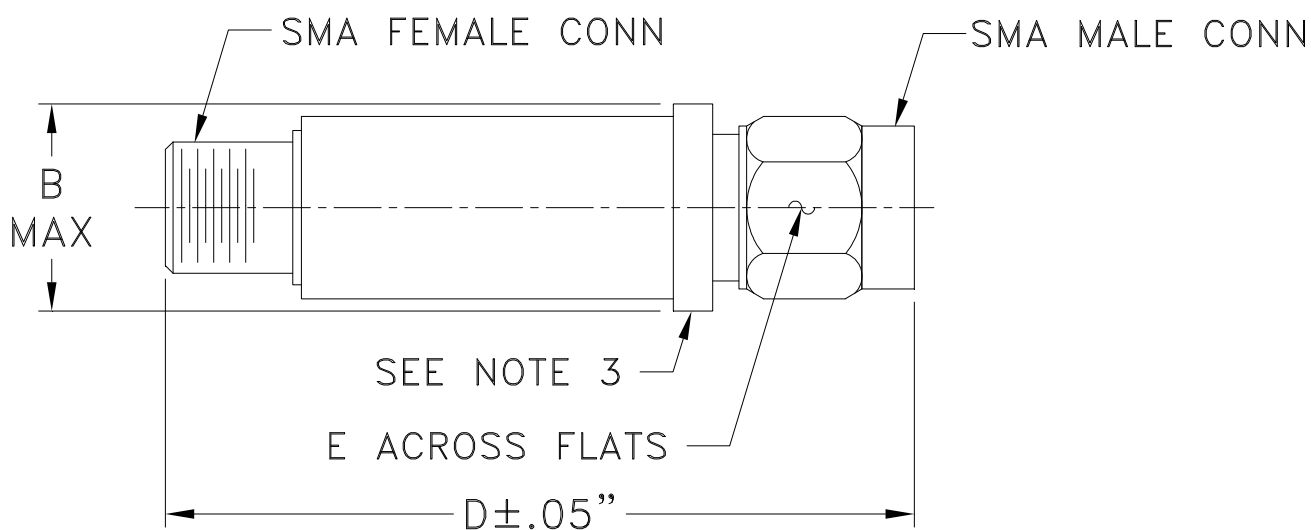


Case Style

FF

FF704

Outline Dimensions



CASE #.	A	B	C	D	E	WT GRAMS
FF704	--	.410 (10.41)	--	1.43 (36.32)	.312 (7.92)	10.0

Dimensions are in inches (mm). Tolerances: 2Pl. ± .04; 3Pl. ± .030

Notes:

1. Case material: Stainless steel.
2. Case finish: Gold plated.
3. Round Flange may have .312 Across Flats in some models.

Mini-Circuits[®]
ISO 9001 ISO 14001 CERTIFIED

ALL NEW
minicircuits.com

P.O. Box 350166, Brooklyn, New York 11235-0003 (718) 934-4500 Fax (718) 332-4661 For detailed performance specs & shopping online see Mini-Circuits web site



The Design Engineers Search Engine Provides ACTUAL Data Instantly From MINI-CIRCUITS At: www.minicircuits.com

RF/IF MICROWAVE COMPONENTS



All Mini-Circuits products are manufactured under exacting quality assurance and control standards, and are capable of meeting published specifications after being subjected to any or all of the following physical and environmental test.

Specification	Test/Inspection Condition	Reference/Spec
Operating Temperature	-40° to 85° C Ambient Environment	Individual Model Data Sheet
Storage Temperature	-55° to 100° C Ambient Environment	Individual Model Data Sheet
Thermal Shock	-55° to 100°C, 100 cycles	MIL-STD-202, Method 107, Condition A-3, except +100°C