



COAXIAL

Adapter

KM-35F+

50Ω DC to 33 GHz 2.92 mm Male to 3.5 mm Female Straight

THE BIG DEAL

- Ultra-wideband, DC to 33 GHz
- Low insertion loss, 0.09 dB Typ.
- Excellent VSWR, 1.04:1 Typ.
- Flat response



Generic photo used for illustration purposes only

APPLICATIONS

- Test & Measurement Equipment
- Radar, EW and ECM Defense Systems
- LTE & 5G MIMO Infrastructure

Model No.	KM-35F+
Case Style	DJ3418
Connectors	2.92 mm Male to 3.5 mm Female

+RoHS Compliant
 The +Suffix identifies RoHS Compliance.
 See our website for methodologies and qualifications

PRODUCT OVERVIEW

Mini-Circuits' KM-35F+ is a coaxial 2.92mm Male to 3.5mm Female adapter supporting a wide range of applications from DC to 33 GHz. This model provides excellent VSWR, low insertion loss, and flat response versus frequency. The KM-35F+ features passivated stainless steel construction and measures only 0.81" in length.

KEY FEATURES

Features	Advantages
Wideband, DC to 33 GHz	Wide frequency range provides application flexibility and makes this model ideal for broadband and multi-band use
Excellent VSWR, 1.04:1 Typ.	Provides good matching for 50Ω systems and minimizes signal reflections across wide frequency range.
Low insertion loss, 0.09 dB Typ.	Provides excellent signal power transmission from input to output.
Passivated stainless steel construction.	Stands up to wear and tear in demanding environments and provides excellent reliability.
Very wide operating temperature range, -45 to +125 °C	Withstands extreme operating conditions and is suitable for use near high power components where heat rise is common.





COAXIAL

Adapter

KM-35F+

50Ω DC to 33 GHz 2.92 mm Male to 3.5 mm Female Straight

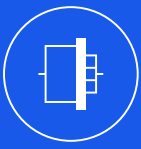
ELECTRICAL SPECIFICATIONS AT 25°C

Parameter	Frequency (GHz)	Min.	Typ.	Max.	Units
Frequency Range	-	DC	-	33	GHz
Insertion Loss	0.01-10	-	0.05	0.40	dB
	10-20	-	0.09	0.40	
	20-33	-	0.13	0.40	
VSWR	0.01-10	-	1.03	1.15	:1
	10-20	-	1.04	1.15	
	20-33	-	1.05	1.15	

MAXIMUM RATINGS

Parameter	Ratings
Operating Temperature	-45°C to 125°C
Storage Temperature	-45°C to 125°C

Permanent damage may occur if any of these limits are exceeded.



COAXIAL

Adapter

KM-35F+

Mini-Circuits

50Ω DC to 33 GHz 2.92 mm Male to 3.5 mm Female Straight

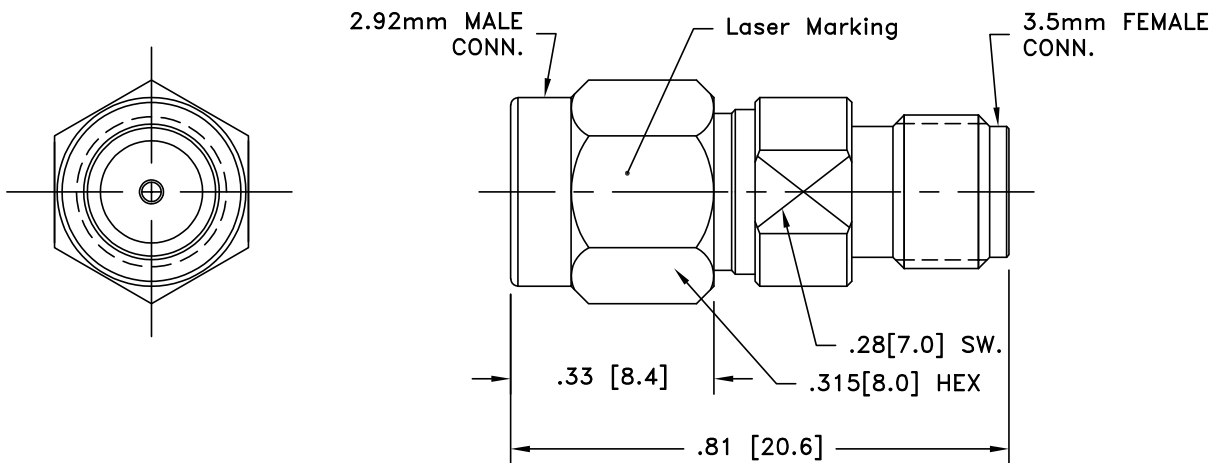
COAXIAL CONNECTIONS

Connector 1	2.92mm-Male
Connector 2	3.5mm-Female

CONNECTOR SPECIFICATIONS

	Connector 1	Connector 2
Connector Type	2.92mm Male	3.5mm Female
Orientation	Straight	
Impedance	50 Ω	
Connector Body	Passivated Stainless Steel	
Contact	Gold Plated Beryllium Copper	
Insulator	ULTEM-1000	
Lock Ring	Passivated Stainless Steel	
Gasket	Silicone Rubber	

OUTLINE DRAWING



Weight: 4.7 grams

Dimensions are in inches [mm]. Tolerances: 2 PL.±.03; 3 PL ±.015



COAXIAL

Adapter

KM-35F+

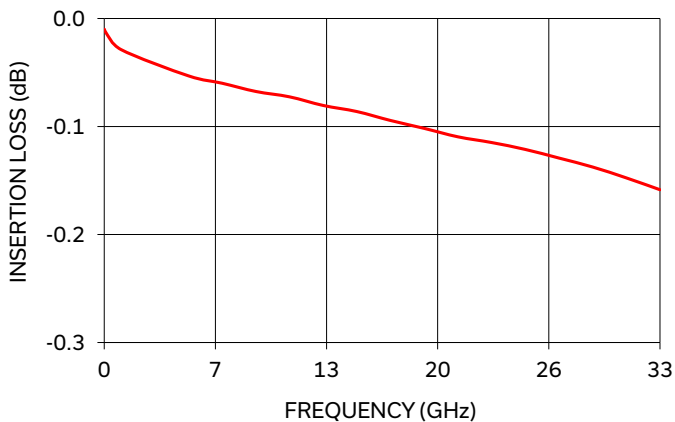
Mini-Circuits

50Ω DC to 33 GHz 2.92 mm Male to 3.5 mm Female Straight

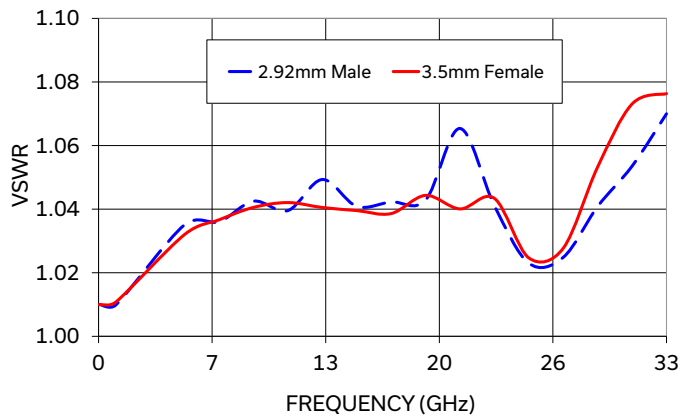
TYPICAL PERFORMANCE DATA AND CHARTS

Frequency (MHz)	Insertion Loss (dB)	VSWR (:1)	
		2.92mm Male	3.5mm Female
0.01	0.01	1.01	1.01
0.10	0.01	1.01	1.01
1.00	0.03	1.01	1.01
5.00	0.05	1.04	1.03
7.00	0.06	1.04	1.04
9.00	0.07	1.04	1.04
11.00	0.07	1.04	1.04
13.00	0.08	1.05	1.04
15.00	0.09	1.04	1.04
17.00	0.09	1.04	1.04
19.00	0.10	1.04	1.04
21.00	0.11	1.07	1.04
23.00	0.11	1.04	1.04
25.00	0.12	1.02	1.02
27.00	0.13	1.02	1.03
29.00	0.14	1.04	1.05
31.00	0.15	1.05	1.07
33.00	0.16	1.07	1.08

KM-35F+
INSERTION LOSS



KM-35F+
VSWR



NOTES

- A. Performance and quality attributes and conditions not expressly stated in this specification document are intended to be excluded and do not form a part of this specification document.
- B. Electrical specifications and performance data contained in this specification document are based on Mini-Circuit's applicable established test performance criteria and measurement instructions.
- C. The parts covered by this specification document are subject to Mini-Circuits standard limited warranty and terms and conditions (collectively, "Standard Terms"); Purchasers of this part are entitled to the rights and benefits contained therein. For a full statement of the standard terms and the exclusive rights and remedies thereunder, please visit Mini-Circuits' website at www.minicircuits.com/terms/viewterm.html



Adaptor 2.92mm-Male to 3.5mm-Female

KM-35F+

Typical Performance Data

FREQ.	INSERTION LOSS	2.92mm-MALE VSWR	3.5mm-FEMALE VSWR
(GHz)	(dB)	(:1)	(:1)
0.01	0.01	1.01	1.01
0.1	0.01	1.01	1.01
1.0	0.03	1.01	1.01
2.0	0.03	1.02	1.02
3.0	0.04	1.02	1.02
4.0	0.05	1.02	1.03
5.0	0.05	1.04	1.03
6.0	0.06	1.04	1.03
7.0	0.06	1.04	1.04
8.0	0.06	1.04	1.04
9.0	0.07	1.04	1.04
10.0	0.07	1.05	1.04
11.0	0.07	1.04	1.04
12.0	0.08	1.04	1.04
13.0	0.08	1.05	1.04
14.0	0.08	1.04	1.04
15.0	0.09	1.04	1.04
16.0	0.09	1.04	1.04
17.0	0.09	1.04	1.04
18.0	0.10	1.05	1.04
19.0	0.10	1.04	1.04
20.0	0.11	1.05	1.04
21.0	0.11	1.07	1.04
22.0	0.11	1.04	1.04
23.0	0.11	1.04	1.04
24.0	0.12	1.04	1.03
25.0	0.12	1.02	1.02
26.0	0.13	1.02	1.02
27.0	0.13	1.02	1.03
28.0	0.13	1.03	1.04
29.0	0.14	1.04	1.05
30.0	0.14	1.06	1.07
31.0	0.15	1.05	1.07
32.0	0.15	1.07	1.07
33.0	0.16	1.07	1.08



ISO 9001 ISO 14001 AS 9100 CERTIFIED



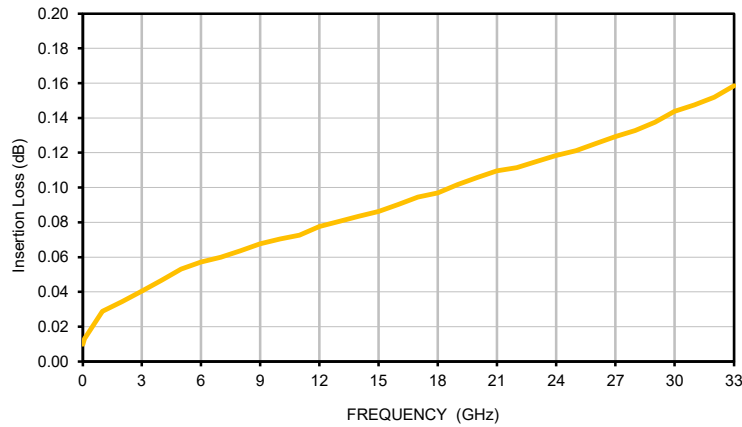
P.O. Box 350166, Brooklyn, New York 11235-0003 (718) 934-4500 • Fax (718) 332-4661 For detailed performance specs & shopping online see Mini-Circuits web site
 The Design Engineers Search Engine Provides ACTUAL Data Instantly From MINI-CIRCUITS At: www.minicircuits.com



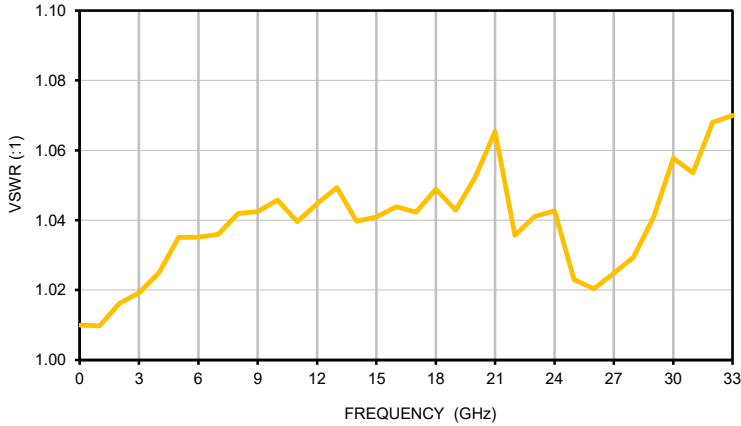
IF/RF MICROWAVE COMPONENTS

Typical Performance Curves

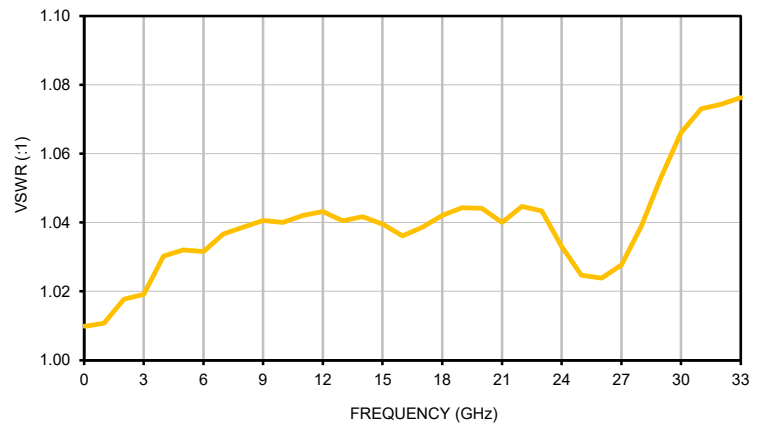
Insertion Loss

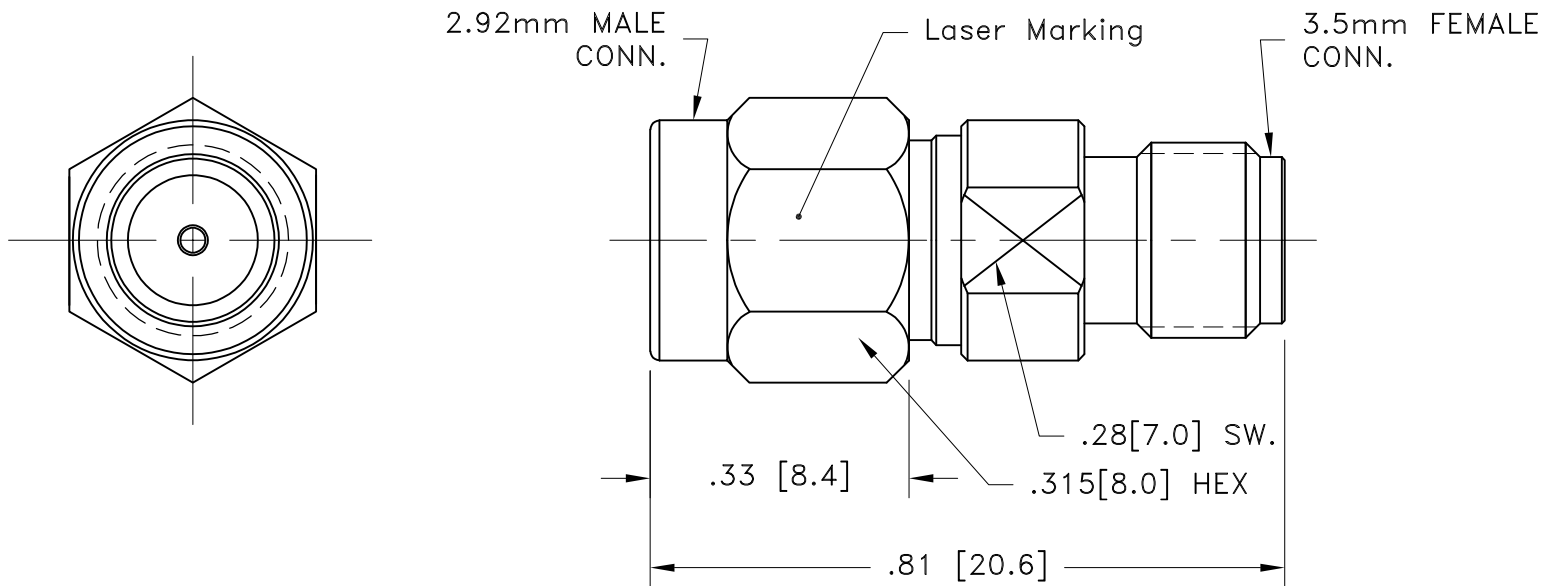


2.92-MALE VSWR



3.5mm-FEMALE VSWR





Weight: 4.7 grams

Dimensions are in inches (mm). Tolerances: 2 Pl.±.03; 3 Pl. ±.015

Notes:

1. Case material: Stainless Steel
2. Case Finish: Passivation



INTERNET <http://www.minicircuits.com>

P.O. Box 350166, Brooklyn, New York 11235-0003 (718) 934-4500 Fax (718) 332-4661

Distribution Centers NORTH AMERICA 800-654-7949 • 417-335-5935 • Fax 417-335-5945 • EUROPE 44-1252-832600 • Fax 44-1252-837010

Mini-Circuits ISO 9001 & ISO 14001 Certified



All Mini-Circuits products are manufactured under exacting quality assurance and control standards, and are capable of meeting published specifications after being subjected to any or all of the following physical and environmental test.

Specification	Test/Inspection Condition	Reference/Spec
Operating Temperature	-45° C to 125° C Ambient Environment	Individual Model Data Sheet
Storage Temperature	-45° C to 125° C Ambient Environment	Individual Model Data Sheet
Thermal shock	-45° C to 125° C, 100 cycles	MIL-STD-202, Method 107
Connector Durability	500 mating/unmating cycles	MIL-PRF-39012E, PARAGRAPH 4.6.12
Drop Test	3' height, 3 times	