

Engineering Development Model

Voltage Controlled Oscillator

JTOS-EDR4458/2

Important Note

This model has been designed, built and tested in our engineering department. Performance data represents model capability. At present it is a non-catalog model. On request, we can supply a final specification sheet, part number and price/delivery information.



Please click "Back", and then click "Contact Us" for Applications support.

CASE STYLE : BK377

ELECTRICAL SPECIFICATIONS 50Ω				
Parameter	Min.	Typ.	Max.	Units
Frequency	1400		1890	MHz
Tuning Voltage	0.5		10	V
Power Output		+1		dBm
Phase Noise	at 1 kHz offset	-71		dBc/Hz
	at 10 KHz offset	-95		dBc/Hz
	at 100 KHz offset	-116		dBc/Hz
	at 1000 kHz offset	-136		dBc/Hz
Pulling at 12 dB _r PK-PK all phases		15.5		MHz
Pushing at V _{cc} =5V±0.25V		1.7		MHz/V
Tuning Sensitivity		53.5 - 87		MHz/V
Harmonic Suppression		-30	-13	dBc
3 dB Modulation Bandwidth		12400		kHz
Supply Voltage		5		V
Supply Current			20	mA

MAXIMUM RATINGS	
Operating Temperature	-55°C to 85°C
Storage Temperature	-55°C to 100°C
Absolute Supply Voltage (V _{cc})	+7V
Absolute Tuning Voltage (V _{tune})	+12V

PIN CONNECTIONS	
RF OUT	10
VCC	14
V-TUNE	5
GROUND	1,3,4,6,7,8,9,10,11,12,14

Voltage Controlled Oscillator

JTOS-EDR4458/2

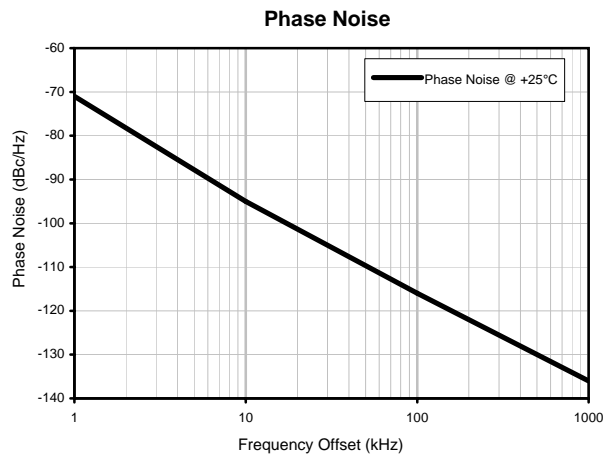
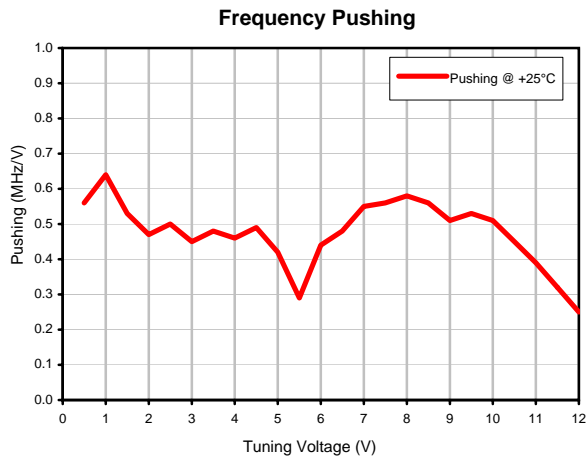
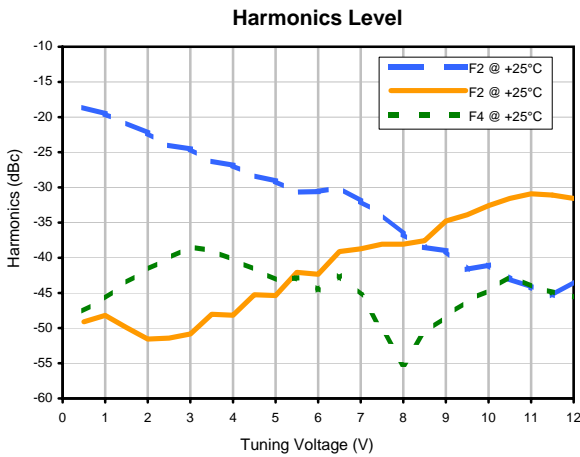
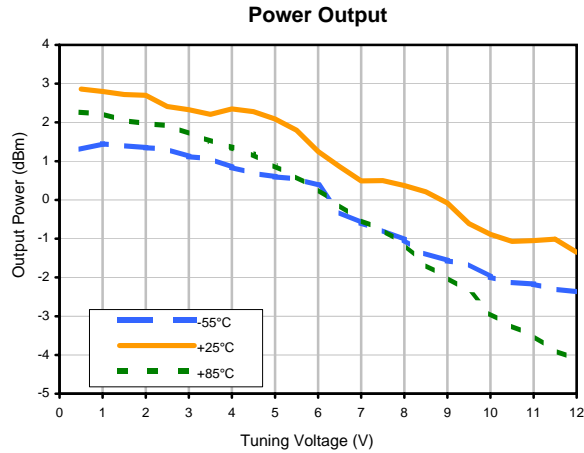
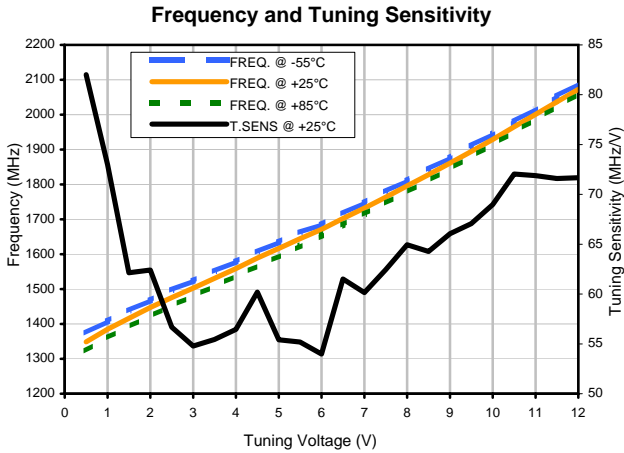
Typical Performance Data

V TUNE	TUNE SENS (MHz/V)	FREQUENCY (MHz)			POWER OUTPUT (dBm)			HARMONICS (dBc)			FREQ. PUSH (MHz/V)	FREQ OFFSET (KHz)	PHASE NOISE (dBc/Hz)
		-55°C	+25°C	+85°C	-55°C	+25°C	+85°C	F2	F3	F4			
0.5	82.02	1374.3	1348.5	1322.9	1.31	2.86	2.26	-18.6	-49.1	-47.6	0.56	1	-71
1.0	72.97	1408.3	1385.0	1360.0	1.45	2.80	2.22	-19.6	-48.2	-45.8	0.64	10	-95
1.5	62.14	1438.2	1416.0	1391.7	1.40	2.72	2.05	-20.8	-49.9	-43.6	0.53	100	-116
2.0	62.41	1467.9	1447.2	1422.0	1.35	2.70	1.97	-22.3	-51.6	-41.7	0.47	1000	-136
2.5	56.68	1497.0	1475.6	1451.8	1.31	2.41	1.92	-24.0	-51.4	-40.0	0.50		
3.0	54.79	1523.8	1503.0	1480.4	1.12	2.33	1.71	-24.6	-50.8	-38.5	0.45		
3.5	55.44	1551.1	1530.7	1508.9	1.06	2.21	1.51	-26.3	-48.0	-39.0	0.48		
4.0	56.46	1578.8	1558.9	1537.9	0.84	2.35	1.35	-26.9	-48.2	-40.3	0.46		
4.5	60.20	1606.3	1589.0	1566.4	0.69	2.28	1.17	-28.3	-45.3	-41.7	0.49		
5.0	55.41	1634.7	1616.7	1595.2	0.60	2.09	0.88	-29.1	-45.4	-43.2	0.42		
5.5	55.19	1662.2	1644.3	1624.1	0.54	1.80	0.60	-30.7	-42.1	-42.8	0.29		
6.0	53.98	1685.0	1671.3	1653.9	0.38	1.25	0.28	-30.6	-42.4	-44.6	0.44		
6.5	61.51	1716.7	1702.1	1684.2	-0.32	0.86	-0.13	-30.0	-39.1	-42.5	0.48		
7.0	60.15	1747.8	1732.1	1714.7	-0.59	0.49	-0.53	-32.0	-38.7	-45.3	0.55		
7.5	62.44	1779.2	1763.4	1746.1	-0.78	0.50	-0.77	-33.8	-38.1	-50.3	0.56		
8.0	64.94	1811.0	1795.8	1778.1	-1.03	0.37	-1.13	-36.7	-38.1	-55.1	0.58		
8.5	64.28	1843.4	1828.0	1810.7	-1.38	0.21	-1.68	-38.5	-37.6	-50.6	0.56		
9.0	66.06	1876.4	1861.0	1844.5	-1.57	-0.08	-2.00	-39.0	-34.8	-48.3	0.51		
9.5	67.06	1910.4	1894.5	1879.0	-1.65	-0.61	-2.36	-41.7	-33.9	-46.1	0.53		
10.0	68.98	1945.1	1929.0	1914.4	-1.99	-0.89	-2.93	-41.0	-32.6	-44.6	0.51		
10.5	72.04	1980.5	1965.0	1950.4	-2.13	-1.07	-3.25	-43.0	-31.6	-42.6	0.45		
11.0	71.88	2016.5	2001.0	1986.6	-2.17	-1.05	-3.50	-44.2	-30.9	-44.1	0.39		
11.5	71.59	2052.6	2036.8	2023.2	-2.30	-1.01	-3.89	-45.4	-31.1	-45.0	0.32		
12.0	71.68	2088.6	2072.6	2059.7	-2.37	-1.35	-4.11	-43.4	-31.6	-45.6	0.25		

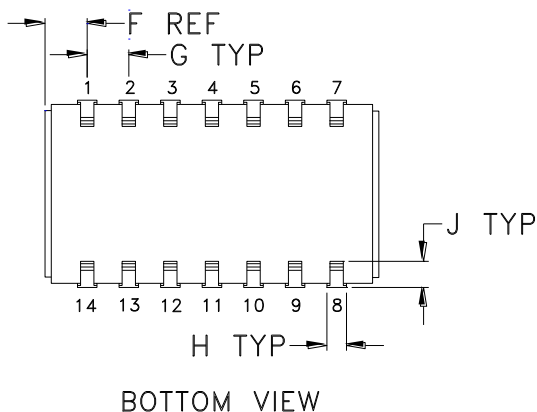
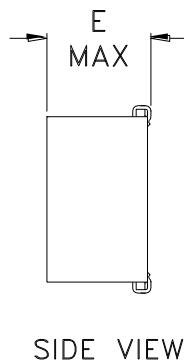
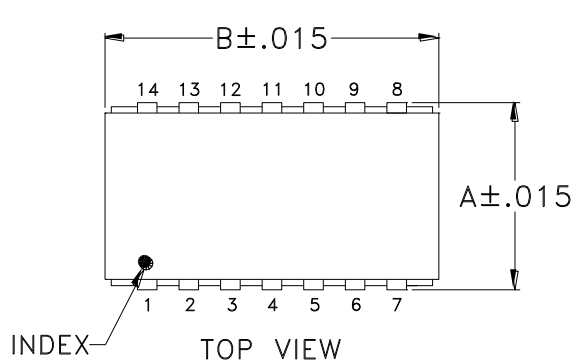
Voltage Controlled Oscillator

JTOS-EDR4458/2

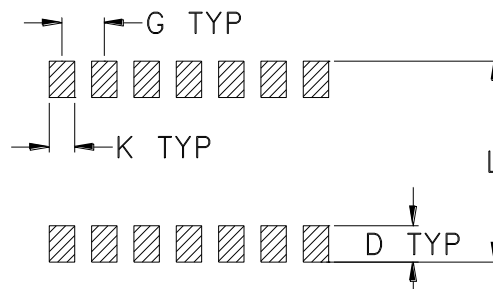
Typical Performance Data



Outline Dimensions



PCB Land Pattern



Suggested Layout,
Tolerance to be within $\pm .002$

CASE #	A	B	C	D	E	F	G	H	J	K	L	WT. GRAM
BK377	.505 (12.83)	.800 (20.32)	-- --	.100 (2.54)	.250 (6.35)	.100 (2.54)	.100 (2.54)	.047 (1.19)	.065 (1.65)	.065 (1.65)	.525 (13.34)	2.0 MAX.

Dimensions are in inches (mm). Tolerances: 2Pl. $\pm .01$; 3Pl. $\pm .005$

Notes:

- Case material: Copper Nickel alloy.
- Base material: Printed wiring laminate.
- Termination finish:
 - For RoHS Case Styles: Tin plate over Nickel plate. All models, (+) suffix.
 - For RoHS-5 Case Styles: Tin-Lead plate. All models, no (+) suffix.



Distribution Centers NORTH AMERICA 800-654-7949 • 417-335-5935 • Fax 417-335-5945 • EUROPE 44-1252-832600 • Fax 44-1252-837010

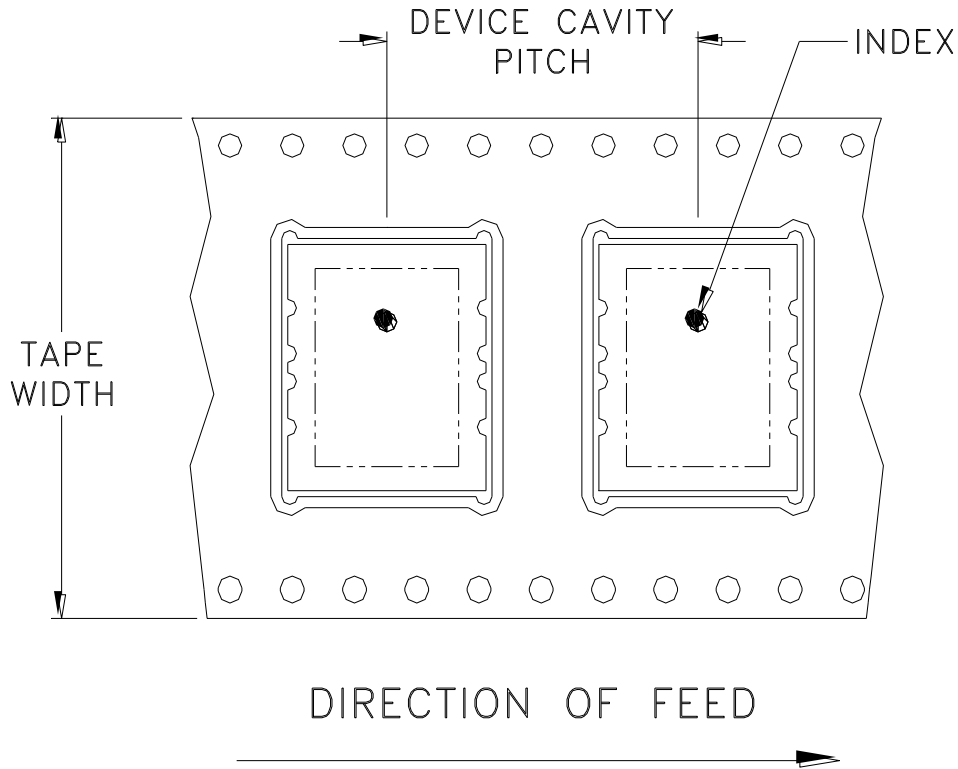
Mini-Circuits ISO 9001 & ISO 14001 Certified

INTERNET <http://www.minicircuits.com>

P.O. Box 350166, Brooklyn, New York 11235-0003 (718) 934-4500 Fax (718) 332-4661

Tape & Reel Packaging TR-F107

DEVICE ORIENTATION IN T&R



Tape Width, mm	Device Cavity Pitch, mm	Reel Size, inches	Devices per Reel	
32	20	7	Small quantity standards (see note)	10
				20
				50
			100	
		13	Standard	200

Note: Please consult individual model data sheet to determine device per reel availability.

Mini-Circuits carrier tape materials provide protection from ESD (Electro-Static Discharge) during handling and transportation. Tapes are static dissipative and comply with industry standards EIA-481/EIA-541.

Go to: www.minicircuits.com/pages/pdfs/tape.pdf

Mini-Circuits®

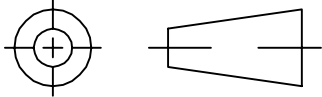
Distribution Centers NORTH AMERICA 800-654-7949 • 417-335-5935 • Fax 417-335-5945 • EUROPE 44-1252-832600 • Fax 44-1252-837010

Mini-Circuits ISO 9001 & ISO 14001 Certified

INTERNET <http://www.minicircuits.com>

P.O. Box 350166, Brooklyn, New York 11235-0003 (718) 934-4500 Fax (718) 332-4661

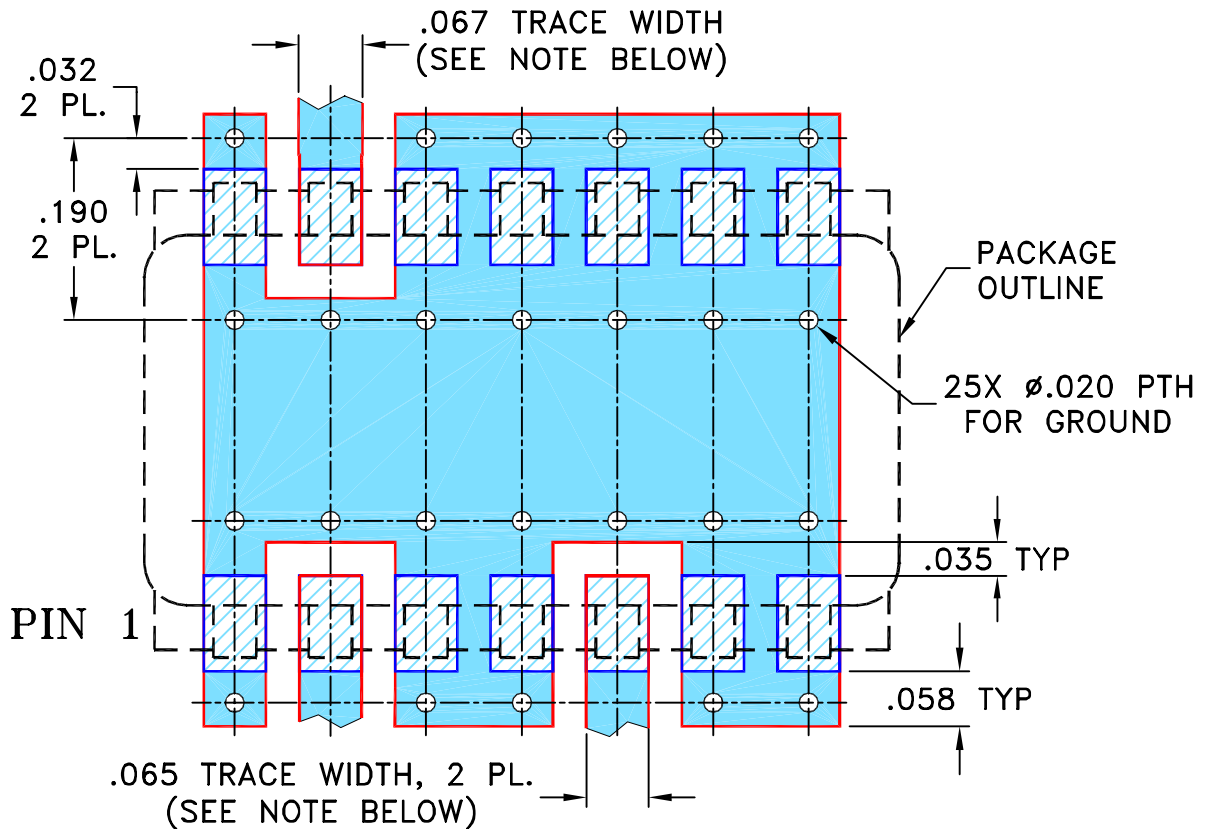
THIRD ANGLE PROJECTION




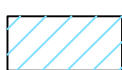
REVISIONS

REV	ECN No.	DESCRIPTION	DATE	DR	AUTH
B	M76077	UPDATED DRAWING	04/01	GF	MM
C	M82575	UPDATED DRAWING	08/08/02	IL	MM
D	M102713	UPDATED DIMENSIONS & NOTES	01/17/06	MMG	IL
E	M115059	CORRECTED NOTE 2	12/18/07	MMG	IL

SUGGESTED MOUNTING CONFIGURATION FOR BK377 CASE STYLE, "jc" PIN CONNECTION



- NOTES: 1. TRACE WIDTH IS SHOWN FOR ROGERS RO4350B WITH DIELECTRIC THICKNESS .030" ± .002"; COPPER: 1/2 OZ. EACH SIDE. FOR OTHER MATERIALS TRACE WIDTH MAY NEED TO BE MODIFIED.
 2. BOTTOM SIDE OF THE PCB IS CONTINUOUS GROUND PLANE.

-  DENOTES PCB COPPER LAYOUT WITH SMOBC (SOLDER MASK OVER BARE COPPER)
 DENOTES COPPER LAND PATTERN FREE OF SOLDER MASK

UNLESS OTHERWISE SPECIFIED	INITIALS	DATE
DRAWN	FB	05/20/00
CHECKED	MM	05/24/00
APPROVED	DB	05/24/00

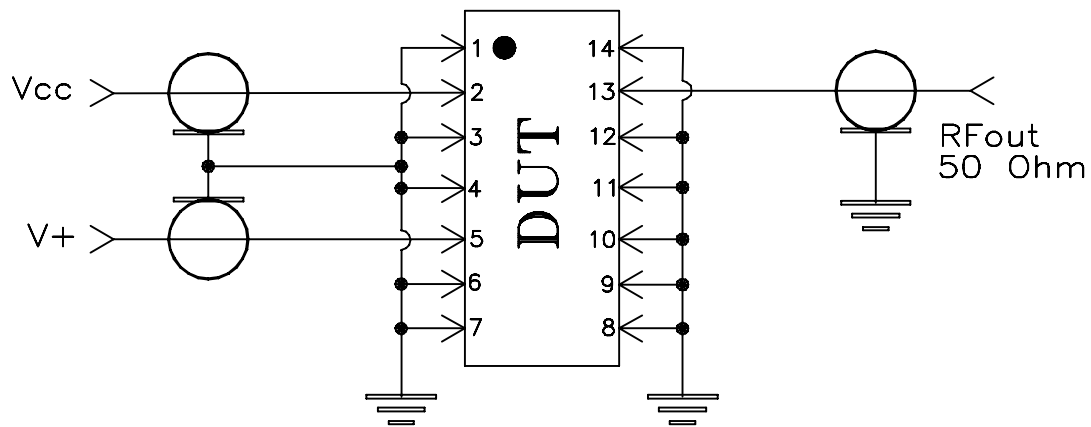
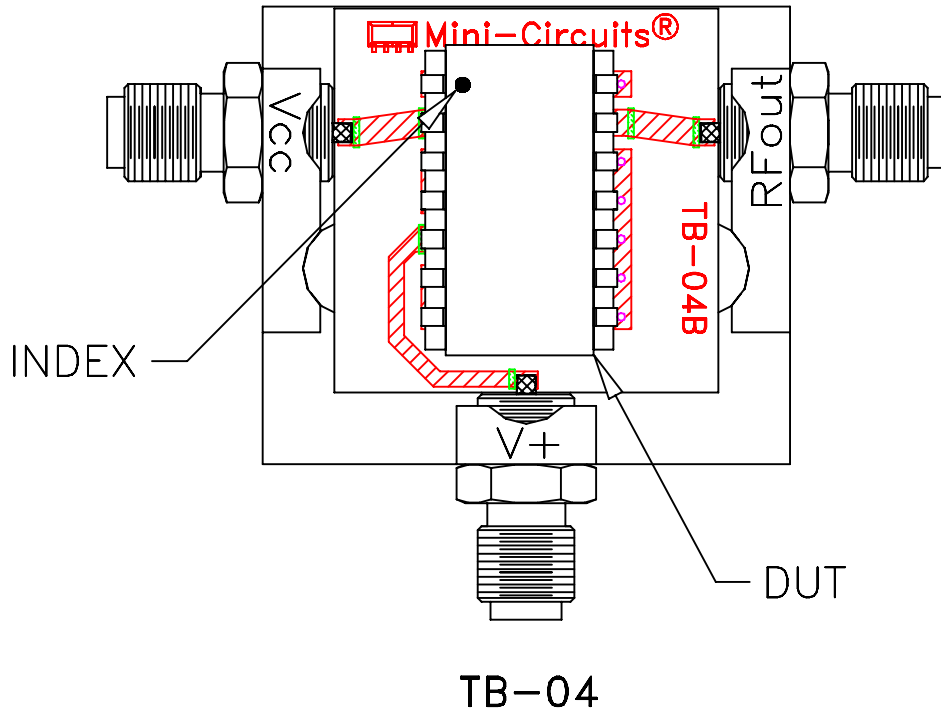
 **Mini-Circuits®** 13 Neptune Avenue
Brooklyn NY 11235

PL, jc, BK377, JTOS, TB-04

Mini-Circuits®
 THIS DOCUMENT AND ITS CONTENTS ARE THE PROPERTY OF MINI-CIRCUITS. EXCEPT FOR USE EXPRESSLY GRANTED, IN WRITING, TO ITS VENDORS, VENDEE AND THE UNITED STATES GOVERNMENT, MINI-CIRCUITS RESERVES ALL PROPRIETARY DESIGN, USE, MANUFACTURING AND REPRODUCTION RIGHTS THERETO. THESE CONTENTS SHALL NOT BE USED, DUPLICATED OR DISCLOSED TO ANY OUTSIDE PARTY, IN WHOLE OR IN PART, WITHOUT WRITTEN PERMISSION OF MINI-CIRCUITS.

SIZE A	CODE IDENT 15542	DRAWING NO: 98-PL-005	REV: E
FILE: 98PL005	SCALE: 5:1	SHEET: 1 OF 1	


Evaluation Board and Circuit



Schematic Diagram

Notes:

1. SMA Female connectors.
2. PCB Material: Rogers R04350 or equivalent,
Dielectric Constant=3.5, Thickness=.030 inch.

 Mini-Circuits®

All Mini-Circuits products are manufactured under exacting quality assurance and control standards, and are capable of meeting published specifications after being subjected to any or all of the following physical and environmental test.

Specification	Test/Inspection Condition	Reference/Spec
Operating Temperature	-55° to 85°C Ambient Environment	Individual Model Data Sheet
Storage Temperature	-55° to 100° C Ambient Environment	Individual Model Data Sheet
HAST	130°C, 85% RH, 96 hours	JESD22-A110
Humidity	90 to 95% RH, 240 hours, 50°C	MIL-STD-202, Method 103, Condition A, Except 50°C and end-point electrical test done within 12 hours
Thermal Shock	-55° to 100°C, 100 cycles	MIL-STD-202, Method 107, Condition A-3, except +100°C
Solder Reflow Heat	Sn-Pb Eutectic Process: 225°C peak Pb-Free Process, 245°C peak	J-STD-020, Table 4-1, 4-2 and 5-2, Figure 5-1
Solderability	10X Magnification	J-STD-002, Para 4.2.5, Test S, 95% Coverage
Vibration (High Frequency)	20g peak, 20-2000 Hz, 4 times in each of three axes (total 12)	MIL-STD-883, Method 2007.3, Condition A
Mechanical Shock	50g, 11 ms, 1/2-sine, 18 shocks: 3 each direction, each of 3 axes	MIL-STD-202, Method 213, Condition A
Marking Resistance to Solvents	Isopropyl alcohol + mineral spirits at 25°C; terpene defluxer at 25°C; distilled water + proylene glycol monomethyl ether + monoethanolamine at 63°C to 70°C	MIL-STD-202, Method 215