

Phase Shifter

50Ω 180° Voltage Variable 700 to 1000 MHz

JSPHS-1000+



Generic photo used for illustration purposes only

CASE STYLE: BK276

+RoHS Compliant

The +Suffix identifies RoHS Compliance. See our web site for RoHS Compliance methodologies and qualifications

Maximum Ratings

Operating Temperature	-40°C to 85°C
Storage Temperature	-55°C to 100°C
RF Input Power	20 dBm max.
Control Voltage	28V

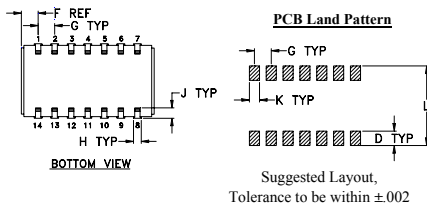
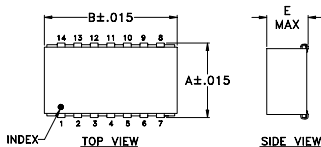
Permanent damage may occur if any of these limits are exceeded.

Pin Connections

IN	1
OUT	7
BIAS	4,6^
GROUND	2,3,5,8,9,10,11,12,13,14

^ proper operation is achieved with pins 4 or 6 or both connected to BIAS.

Outline Drawing

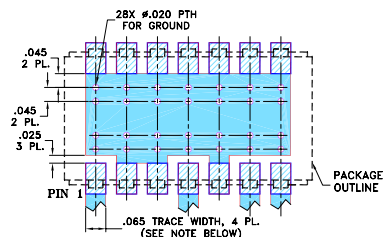


Outline Dimensions (inch/mm)

A	B	C	D	E	F	G
.450	.803	--	.100	.250	.102	.100
11.43	20.40	--	2.54	6.35	2.59	2.54

H	J	K	L	wt
.047	.065	.065	.470	grams
1.19	1.65	1.65	11.94	3.0

Demo Board MCL P/N: TB-122 Suggested PCB Layout (PL-030)



- NOTE: 1. TRACE WIDTH IS SHOWN FOR ROGERS RO4350B WITH DIELECTRIC THICKNESS 0.030" ± 0.002"; COPPER: 1/2 OZ. EACH SIDE. FOR OTHER MATERIALS TRACE WIDTH MAY NEED TO BE MODIFIED.
 2. BOTTOM SIDE OF THE PCB IS CONTINUOUS GROUND PLANE.
- DENOTES PCB COPPER LAYOUT WITH SMOBC (SOLDER MASK OVER BARE COPPER)
 - DENOTES COPPER LAND PATTERN FREE OF SOLDER MASK

Features

- low insertion loss, 1.4 dB typ.
- good VSWR, 1.3:1 typ.
- solder-plated J-leads for excellent solderability and strain relief
- aqueous washable

Applications

- cellular

Phase Shifter Electrical Specifications

FREQUENCY (MHz)	PHASE RANGE (Degrees)	INSERTION LOSS (dB)		CONTROL VOLTAGE (V)	CONTROL BANDWIDTH (kHz)	VSWR (:1)	
		Typ.	Max.			Typ.	Max.
700-850	180	1.2	2.3	0-15	DC-50	1.2	2.6
850-1000	160	1.2	2.0	0-15	DC-50	1.2	2.0

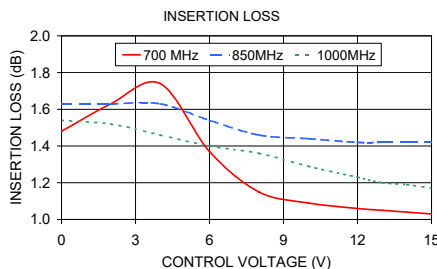
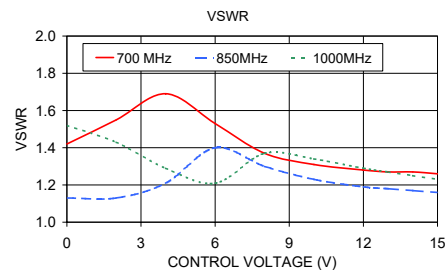
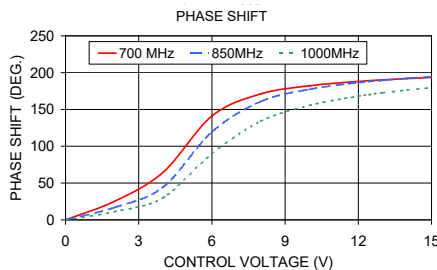
Maximum operating power, 0 dBm

DC input resistance at Control port: 18200 ohms typ.

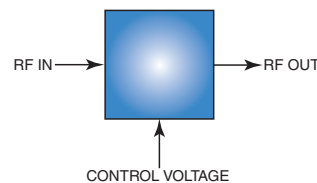
Typical Performance Data

Control Voltage (V)	Phase Shift* (Degrees)			VSWR (:1)			Insertion Loss (dB)		
	700 MHz	850 MHz	1000 MHz	700 MHz	850 MHz	1000 MHz	700 MHz	850 MHz	1000 MHz
0.00	0.00	0.00	0.00	1.42	1.13	1.52	1.48	1.63	1.54
2.00	25.08	16.78	11.21	1.55	1.13	1.43	1.63	1.63	1.52
4.00	64.66	44.54	30.16	1.69	1.21	1.29	1.74	1.63	1.46
6.00	141.20	119.49	89.61	1.53	1.40	1.21	1.37	1.54	1.40
8.00	171.07	160.75	134.12	1.37	1.30	1.37	1.15	1.46	1.36
10.00	182.16	177.41	155.54	1.31	1.23	1.34	1.09	1.44	1.29
12.00	188.09	186.53	168.05	1.28	1.19	1.29	1.06	1.42	1.23
13.00	190.18	189.72	172.58	1.27	1.18	1.27	1.05	1.42	1.20
14.00	191.91	192.37	176.43	1.27	1.17	1.25	1.04	1.42	1.19
15.00	193.41	194.57	179.67	1.26	1.16	1.23	1.03	1.42	1.17

* Normalized at control voltage = 0V



electrical schematic



Notes

- Performance and quality attributes and conditions not expressly stated in this specification document are intended to be excluded and do not form a part of this specification document.
- Electrical specifications and performance data contained in this specification document are based on Mini-Circuits' applicable established test performance criteria and measurement instructions.
- The parts covered by this specification document are subject to Mini-Circuits standard limited warranty and terms and conditions (collectively, "Standard Terms"); Purchasers of this part are entitled to the rights and benefits contained therein. For a full statement of the Standard Terms and the exclusive rights and remedies thereunder, please visit Mini-Circuits' website at www.minicircuits.com/MCLStore/terms.jsp



PHASE SHIFTER

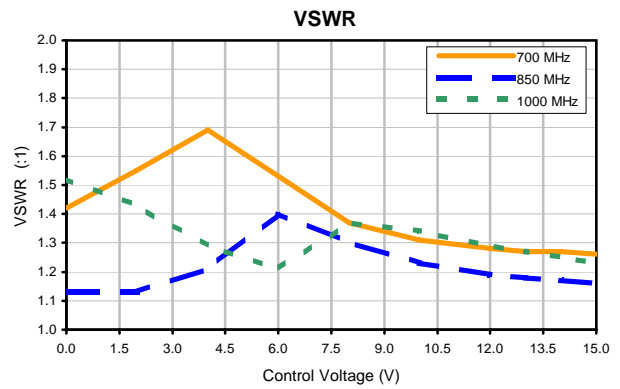
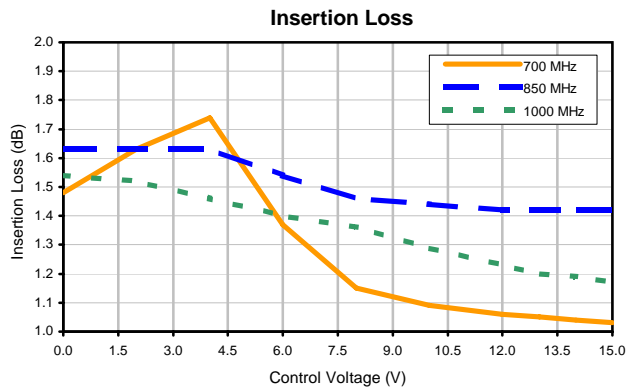
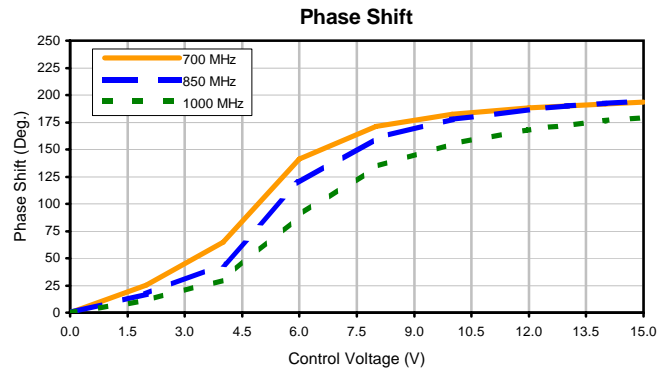
JSPHS-1000+

Typical Performance Data

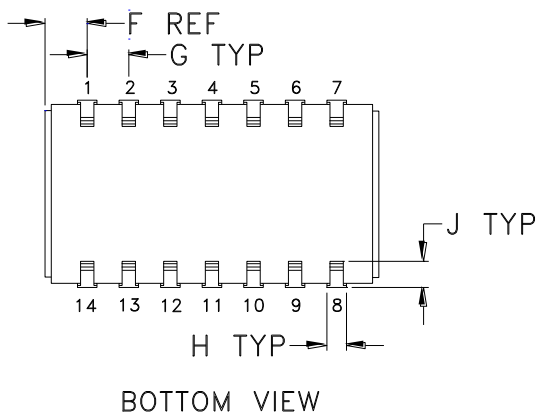
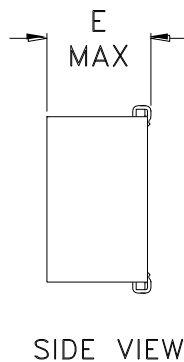
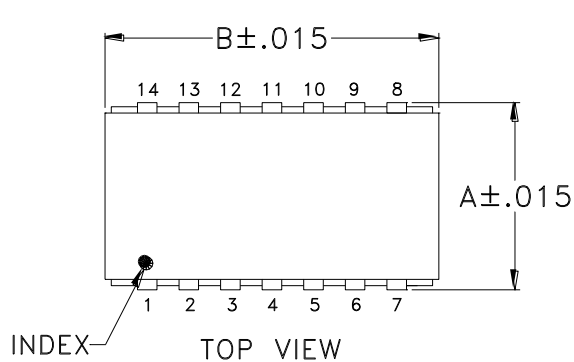
CONTROL VOLTAGE (V)	PHASE SHIFT* (Deg.)			VSWR (:1)			INSERTION LOSS (dB)		
	700 MHz	850 MHz	1000 MHz	700 MHz	850 MHz	1000 MHz	700 MHz	850 MHz	1000 MHz
0.0	0.00	0.00	0.00	1.42	1.13	1.52	1.48	1.63	1.54
2.0	25.08	16.78	11.21	1.55	1.13	1.43	1.63	1.63	1.52
4.0	64.66	44.54	30.16	1.69	1.21	1.29	1.74	1.63	1.46
6.0	141.20	119.49	89.61	1.53	1.40	1.21	1.37	1.54	1.40
8.0	171.07	160.75	134.12	1.37	1.30	1.37	1.15	1.46	1.36
10.0	182.16	177.41	155.54	1.31	1.23	1.34	1.09	1.44	1.29
12.0	188.09	186.53	168.05	1.28	1.19	1.29	1.06	1.42	1.23
13.0	190.18	189.72	172.58	1.27	1.18	1.27	1.05	1.42	1.20
14.0	191.91	192.37	176.43	1.27	1.17	1.25	1.04	1.42	1.19
15.0	193.41	194.57	179.67	1.26	1.16	1.23	1.03	1.42	1.17

*Normalized at control voltage = 0V

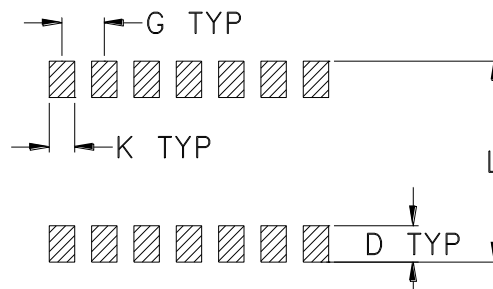
Typical Performance Curves



Outline Dimensions



PCB Land Pattern



Suggested Layout,
Tolerance to be within $\pm .002$

CASE #	A	B	C	D	E	F	G	H	J	K	L	WT. GRAM
BK276	.450 (11.43)	.803 (20.40)	-- --	.100 (2.54)	.250 (6.35)	.102 (2.59)	.100 (2.54)	.047 (1.19)	.065 (1.65)	.065 (1.65)	.470 (11.94)	2.0 MAX.

Dimensions are in inches (mm). Tolerances: 2Pl. $\pm .01$; 3Pl. $\pm .005$

Notes:

- Case material: Copper Nickel alloy.
- Base material: Printed wiring laminate.
- Termination finish:
For RoHS Case Styles: Tin plate over Nickel plate. All models, (+) suffix.
For RoHS-5 Case Styles: Tin-Lead plate. All models, no (+) suffix.



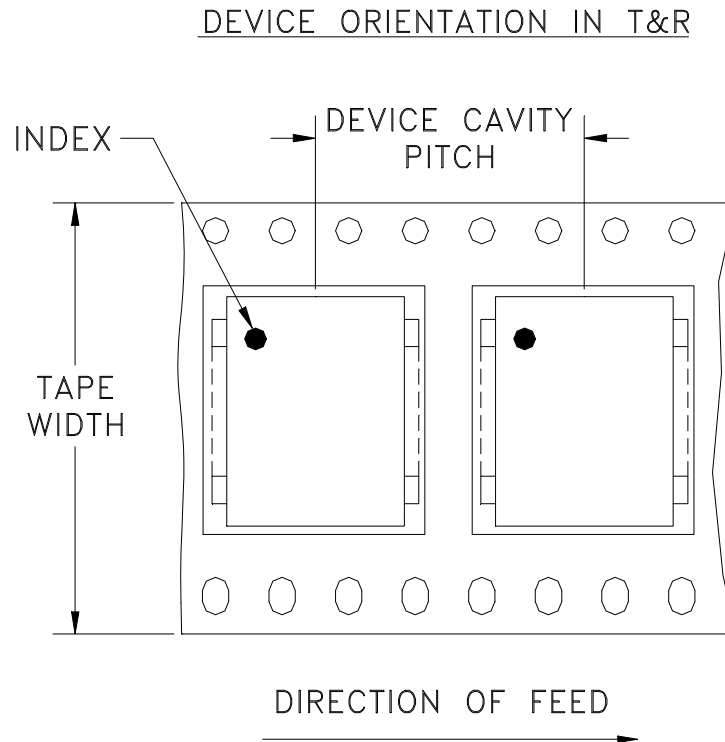
INTERNET <http://www.minicircuits.com>

P.O. Box 350166, Brooklyn, New York 11235-0003 (718) 934-4500 Fax (718) 332-4661

Distribution Centers NORTH AMERICA 800-654-7949 • 417-335-5935 • Fax 417-335-5945 • EUROPE 44-1252-832600 • Fax 44-1252-837010

Mini-Circuits ISO 9001 & ISO 14001 Certified

Tape & Reel Packaging TR-F5



Tape Width, mm	Device Cavity Pitch, mm	Reel Size, inches	Devices per Reel
32	16	13	500

Mini-Circuits carrier tape materials provide protection from ESD (Electro-Static Discharge) during handling and transportation. Tapes are static dissipative and comply with industry standards EIA-481/EIA-541.

Go to: www.minicircuits.com/pages/pdfs/tape.pdf



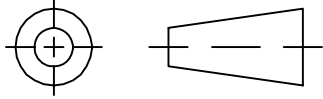
Distribution Centers NORTH AMERICA 800-654-7949 • 417-335-5935 • Fax 417-335-5945 • EUROPE 44-1252-832600 • Fax 44-1252-837010

Mini-Circuits ISO 9001 & ISO 14001 Certified

INTERNET <http://www.minicircuits.com>

P.O. Box 350166, Brooklyn, New York 11235-0003 (718) 934-4500 Fax (718) 332-4661

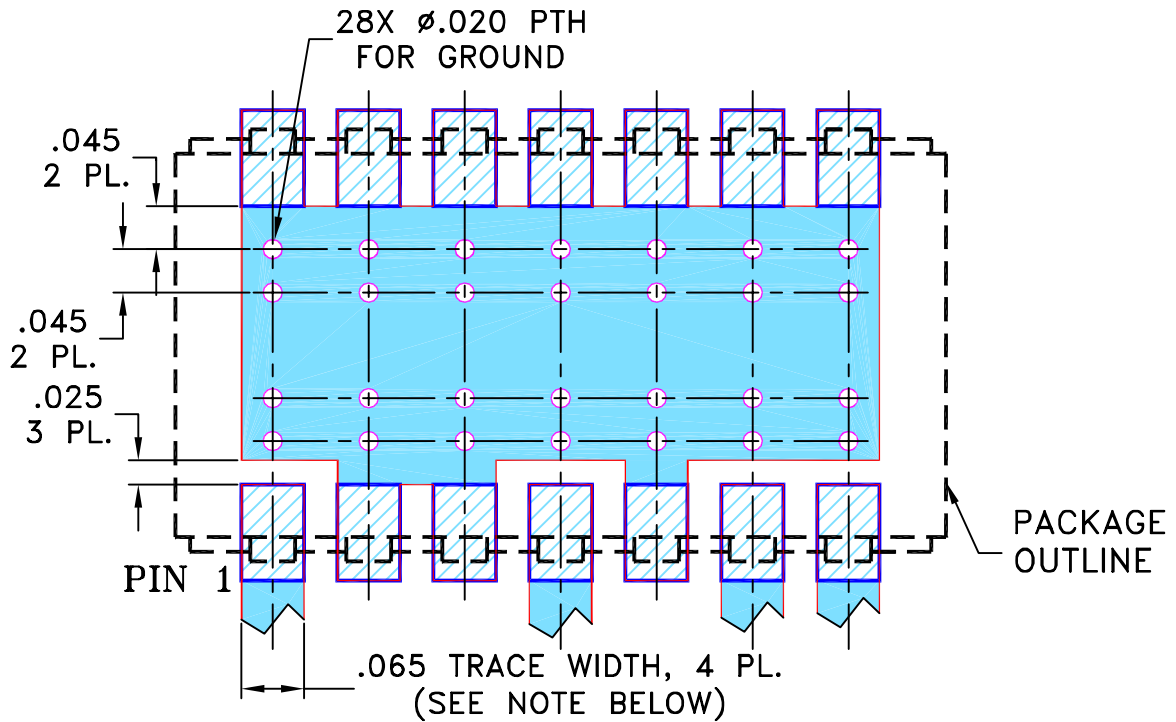
THIRD ANGLE PROJECTION



REVISIONS

REV	ECN No.	DESCRIPTION	DATE	DR	AUTH
OR	M76205	NEW RELEASE	04/01	MMG	AD
A	M102713	UPDATED DRAWING & NOTES	02/15/08	AV	HY

**SUGGESTED MOUNTING CONFIGURATION
FOR BK276 CASE STYLE, "jh" PIN CONNECTION**



- NOTE: 1. TRACE WIDTH IS SHOWN FOR ROGERS R04350B WITH DIELECTRIC THICKNESS 0.030" ± 0.002"; COPPER: 1/2 OZ. EACH SIDE.
FOR OTHER MATERIALS TRACE WIDTH MAY NEED TO BE MODIFIED.
2. BOTTOM SIDE OF THE PCB IS CONTINUOUS GROUND PLANE.

- DENOTES PCB COPPER LAYOUT WITH SMOBC (SOLDER MASK OVER BARE COPPER)
- DENOTES COPPER LAND PATTERN FREE OF SOLDER MASK

UNLESS OTHERWISE SPECIFIED	INITIALS		DATE
DIMENSIONS ARE IN INCHES TOLERANCES ON: 2 PL DECIMALS ± 3 PL DECIMALS ± .005 ANGLES ± FRACTIONS ±	DRAWN	MMG	04/18/01
	CHECKED	IL	04/25/01
	APPROVED	AD	04/25/01

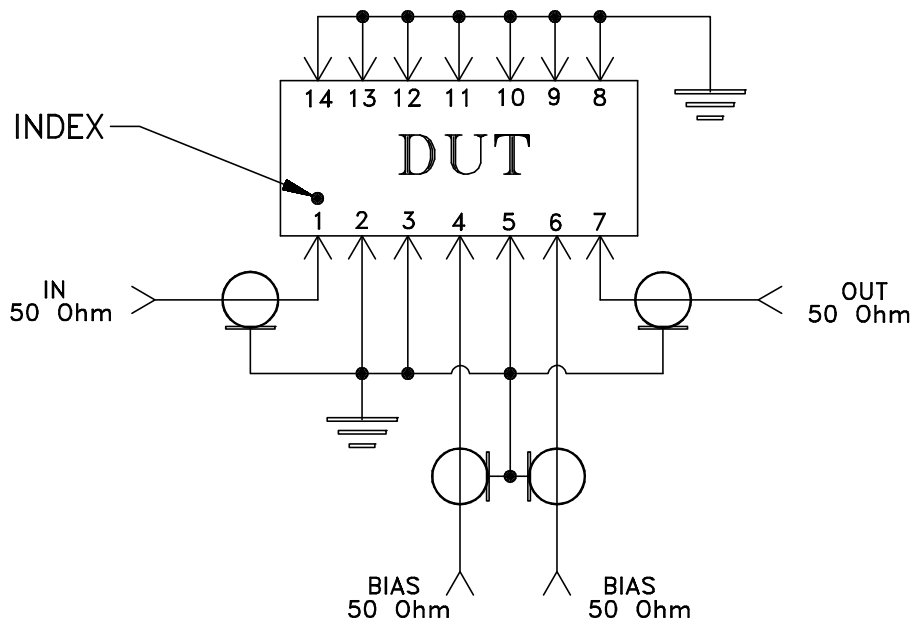
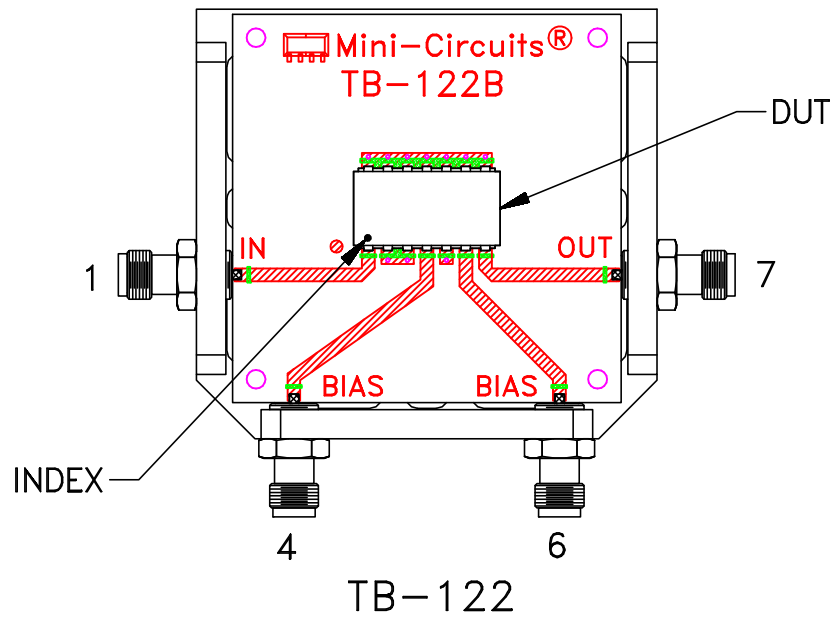
Mini-Circuits® 13 Neptune Avenue
Brooklyn NY 11235

PL, jh, BK276, JSPHS, TB-122

Mini-Circuits®
THIS DOCUMENT AND ITS CONTENTS ARE THE PROPERTY OF MINI-CIRCUITS. EXCEPT FOR USE EXPRESSLY GRANTED, IN WRITING, TO ITS VENDORS, VENDEE AND THE UNITED STATES GOVERNMENT, MINI-CIRCUITS RESERVES ALL PROPRIETARY DESIGN, USE, MANUFACTURING AND REPRODUCTION RIGHTS THERETO. THESE CONTENTS SHALL NOT BE USED, DUPLICATED OR DISCLOSED TO ANY OUTSIDE PARTY, IN WHOLE OR IN PART, WITHOUT WRITTEN PERMISSION OF MINI-CIRCUITS.

SIZE A	CODE IDENT 15542	DRAWING NO: 98-PL-030	REV: A
FILE: 98PL030	SCALE: 5:1	SHEET: 1 OF 1	


Evaluation Board and Circuit



Schematic Diagram

Notes:

1. SMA Female connectors.
2. PCB Material: Rogers R04350 or equivalent,
Dielectric Constant=3.5, Thickness=.030 inch.

 Mini-Circuits®

All Mini-Circuits products are manufactured under exacting quality assurance and control standards, and are capable of meeting published specifications after being subjected to any or all of the following physical and environmental test.

Specification	Test/Inspection Condition	Reference/Spec
Operating Temperature	-40° to 85°C Ambient Environment	Individual Model Data Sheet
Storage Temperature	-55° to 100° C Ambient Environment	Individual Model Data Sheet
Humidity	90 to 95% RH, 240 hours, 50°C	MIL-STD-202, Method 103, Condition A, Except 50°C and end-point electrical test done within 12 hours
Thermal Shock	-55° to 100°C, 100 cycles	MIL-STD-202, Method 107, Condition A-3, except +100°C
Solder Reflow Heat	Sn-Pb Eutetic Process: 225°C peak Pb-Free Process 245° - 250°C peak	J-STD-020, Table 4-1, 4-2 and 5-2, Figure 5-1
Solderability	10X Magnification	J-STD-002, 95% Coverage
Vibration (High Frequency)	20g peak, 10-2000 Hz, 12 times in each of three perpendicular directions (total 36)	MIL-STD-202, Method 204, Condition D
Mechanical Shock	50g, 11 ms, 1/2-sine, 18 shocks: 3 each direction, each of 3 axes	MIL-STD-202, Method 213, Condition A
Marking Resistance to Solvents	Isopropyl alcohol + mineral spirits at 25°C; terpene defluxer at 25°C; distilled water + proylene glycol monomethyl ether + monoethanolamine at 63°C to 70°C	MIL-STD-202, Method 215