

Surface Mount Directional Coupler

50Ω 50 to 750 MHz

JDC-20-1W+ JDC-20-1W



Generic photo used for illustration purposes only
CASE STYLE: BH292

+RoHS Compliant
The +Suffix identifies RoHS Compliance. See our web site for RoHS Compliance methodologies and qualifications

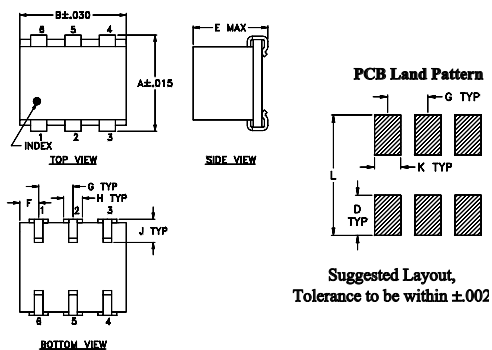
Maximum Ratings

Operating Temperature	-40°C to 85°C
Storage Temperature	-55°C to 100°C
Permanent damage may occur if any of these limits are exceeded.	

Pin Connections

INPUT	1
OUTPUT	6
COUPLED	3
GROUND	2,5
ISOLATE (DO NOT USE)	4

Outline Drawing

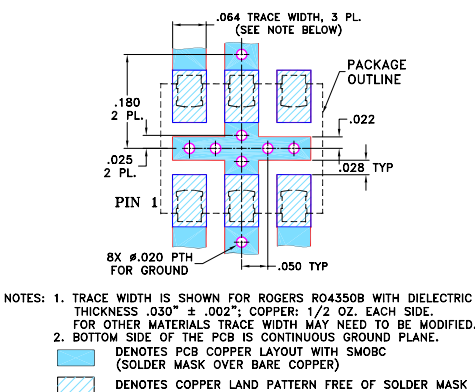


Outline Dimensions (inch/mm)

A	B	C	D	E	F	G
.280	.310	--	.100	.225	.055	.100
7.11	7.87	--	2.54	5.72	1.40	2.54

H	J	K	L	wt
.047	.065	.065	.300	grams
1.19	1.65	1.65	7.62	0.45

Demo Board MCL P/N: TB-185 Suggested PCB Layout (PL-046)



Notes

- Performance and quality attributes and conditions not expressly stated in this specification document are intended to be excluded and do not form a part of this specification document.
- Electrical specifications and performance data contained in this specification document are based on Mini-Circuit's applicable established test performance criteria and measurement instructions.
- The parts covered by this specification document are subject to Mini-Circuit's standard limited warranty and terms and conditions (collectively, "Standard Terms"); Purchasers of this part are entitled to the rights and benefits contained therein. For a full statement of the Standard Terms and the exclusive rights and remedies thereunder, please visit Mini-Circuit's website at www.minicircuits.com/WCLStore/terms.jsp

Features

- wideband, 50 to 750 MHz
- low mainline loss, 0.5 dB typ.
- excellent solderability

Applications

- communications
- level detecting
- signal sampling
- reflective power measurements

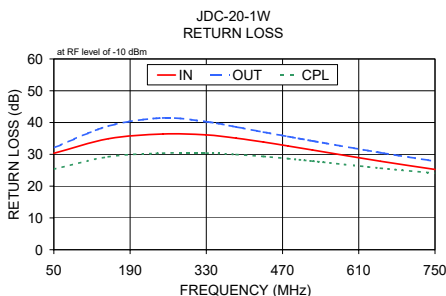
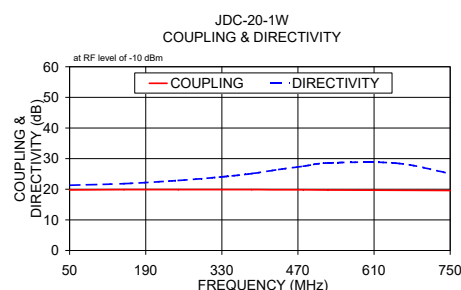
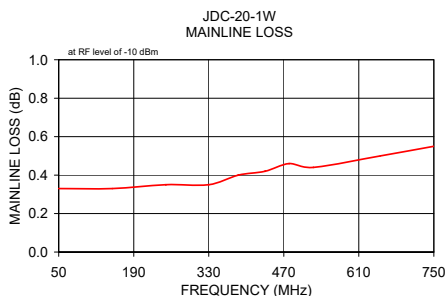
Directional Coupler Electrical Specifications

FREQ. (MHz)	COUPLING (dB)		MAINLINE LOSS ¹ (dB)		DIRECTIVITY (dB)		VSWR (:1)	POWER INPUT, W
	Nom.	Flatness	Typ.	Max.	Typ.	Min.		
f _L -f _U								
50-750	19.5±0.5	±0.5	0.5	0.9	22	15	1.2	0.5

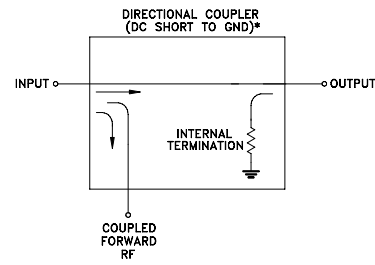
1. Mainline loss includes theoretical power loss at coupled port.

Typical Performance Data

Frequency (MHz)	Mainline Loss (dB) In-Out	Coupling (dB) In-Cpl	Directivity (dB)	Return Loss (dB)		
				In	Out	Cpl
50.00	0.33	19.77	21.32	30.32	32.06	25.34
150.00	0.33	19.87	21.83	34.90	38.90	29.25
250.00	0.35	19.87	22.89	36.40	41.45	30.37
330.00	0.35	19.87	24.06	36.11	40.25	30.40
385.00	0.40	19.87	25.12	35.07	38.62	29.96
435.00	0.42	19.82	26.45	33.87	37.00	29.35
480.00	0.46	19.83	27.52	32.62	35.61	28.65
525.00	0.44	19.76	28.59	31.36	34.22	27.88
650.00	0.50	19.68	28.53	27.83	30.53	25.66
750.00	0.55	19.59	25.15	25.26	27.85	24.06



Electrical Schematic



* ELECTRICAL SCHEMATIC IS FOR DIRECTIONAL COUPLER WITH INTERNAL TRANSFORMER(S) THAT ROUTES DC FROM RF PORTS TO GROUND.



Directional Coupler

JDC-20-1W+

Typical Performance Data

FREQUENCY (MHz)	INSERTION LOSS (dB)	COUPLING (dB)	DIRECTIVITY (dB)	RETURN LOSS		
				IN	(dB) OUT	CPL
50.0	0.33	19.77	21.32	30.32	32.06	25.34
75.0	0.32	19.81	21.38	32.03	34.43	26.89
100.0	0.32	19.84	21.49	33.24	36.18	27.94
125.0	0.33	19.86	21.64	34.18	37.69	28.69
150.0	0.33	19.87	21.83	34.90	38.90	29.25
175.0	0.33	19.85	22.09	35.49	39.93	29.69
200.0	0.35	19.90	22.26	35.91	40.65	29.99
225.0	0.34	19.88	22.51	36.21	41.17	30.23
250.0	0.35	19.87	22.89	36.40	41.45	30.37
275.0	0.34	19.85	23.14	36.47	41.31	30.47
300.0	0.39	19.90	23.55	36.40	40.92	30.47
315.0	0.37	19.86	23.78	36.27	40.65	30.46
330.0	0.35	19.87	24.06	36.11	40.25	30.40
345.0	0.40	19.86	24.34	35.87	39.84	30.31
360.0	0.36	19.82	24.62	35.62	39.43	30.21
375.0	0.38	19.86	24.97	35.27	38.90	30.06
385.0	0.40	19.87	25.12	35.07	38.62	29.96
395.0	0.42	19.86	25.43	34.85	38.24	29.85
405.0	0.41	19.84	25.62	34.62	37.93	29.73
415.0	0.39	19.82	25.96	34.33	37.60	29.60
425.0	0.39	19.82	26.08	34.09	37.30	29.46
435.0	0.42	19.82	26.45	33.87	37.00	29.35
445.0	0.42	19.80	26.67	33.60	36.67	29.21
455.0	0.40	19.80	26.81	33.33	36.35	29.04
465.0	0.42	19.83	27.19	33.04	36.04	28.88
475.0	0.45	19.83	27.41	32.72	35.71	28.71
480.0	0.46	19.83	27.52	32.62	35.61	28.65
485.0	0.44	19.81	27.64	32.50	35.48	28.58
490.0	0.43	19.80	27.81	32.32	35.27	28.49
495.0	0.43	19.79	27.87	32.18	35.12	28.38
500.0	0.42	19.78	28.26	32.05	35.01	28.32
525.0	0.44	19.76	28.59	31.36	34.22	27.88
550.0	0.46	19.75	29.20	30.62	33.43	27.43
575.0	0.47	19.75	29.44	29.88	32.71	27.00
600.0	0.50	19.74	29.42	29.21	32.02	26.56
625.0	0.48	19.71	29.20	28.49	31.25	26.10
650.0	0.50	19.68	28.53	27.83	30.53	25.66
675.0	0.53	19.69	27.74	27.16	29.84	25.24
700.0	0.55	19.69	26.97	26.49	29.15	24.84
725.0	0.52	19.63	25.99	25.87	28.50	24.44
750.0	0.55	19.59	25.15	25.26	27.85	24.06

REV. X1
 JDC-20-1W+
 060718
 Page 1 of 1



IF/RF MICROWAVE COMPONENTS • ISO 9001 ISO 14001 AS 9100 CERTIFIED • RoHS compliant
 P.O. Box 350166, Brooklyn, New York 11235-0003 (718) 934-4500 Fax (718) 332-4661



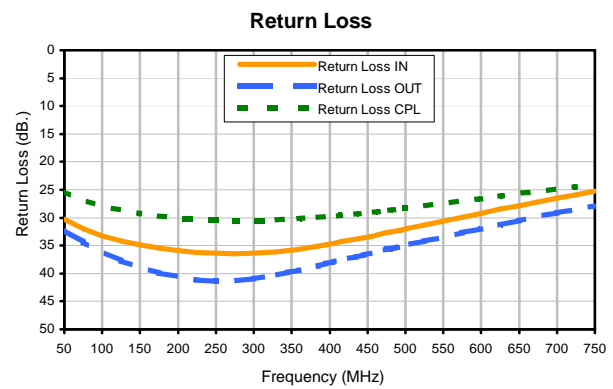
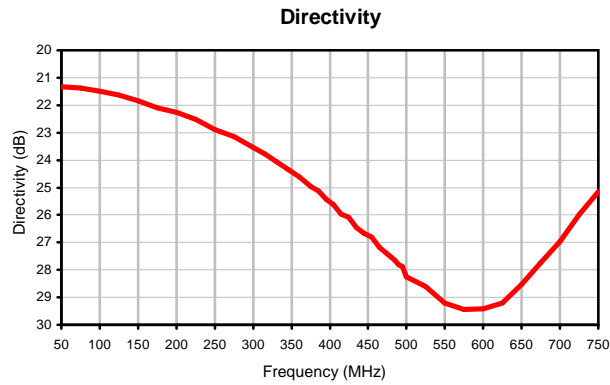
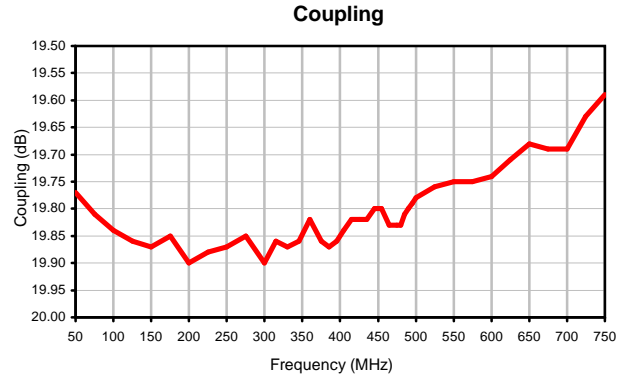
The Design Engineers Search Engine finds the model you need, Instantly • For detailed performance specs & shopping online see



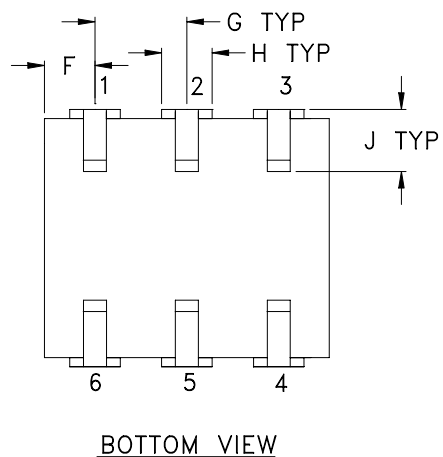
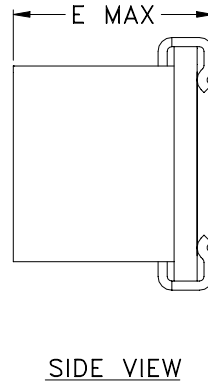
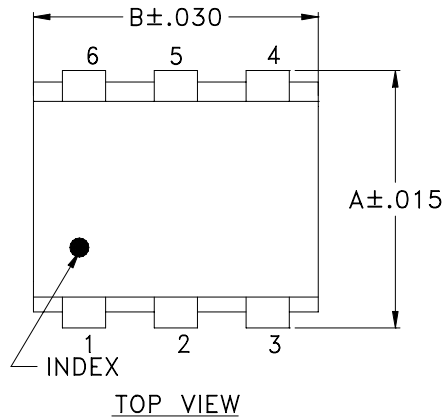
Directional Coupler

JDC-20-1W+

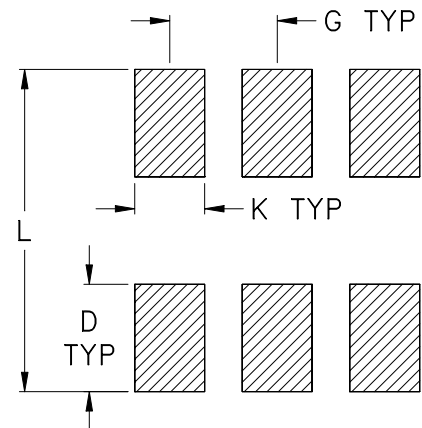
Typical Performance Curves



Outline Dimensions



PCB Land Pattern



Suggested Layout,
Tolerance to be within $\pm .002$

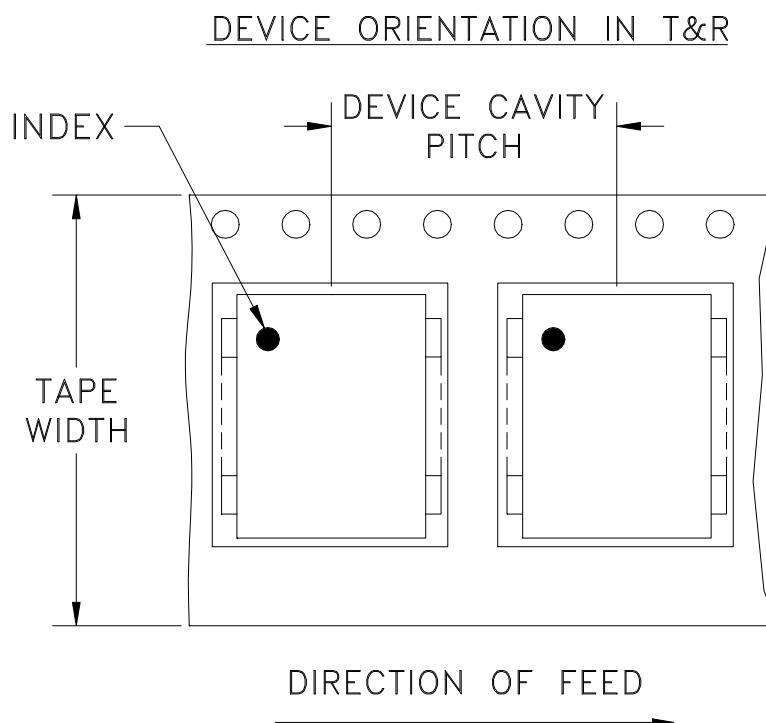
CASE #	A	B	C	D	E	F	G	H	J	K	L	WT. GRAM
BH292	.280 (7.11)	.310 (7.87)	- -	.100 (2.54)	.225 (5.72)	.055 (1.40)	.100 (2.54)	.047 (1.19)	.065 (1.65)	.065 (1.65)	.300 (7.62)	.45

Dimensions are in inches (mm). Tolerances: 2Pl. $\pm .01$; 3Pl. $\pm .005$

Notes:

- Case material: Ceramic.
- Termination finish:
For RoHS Case Styles: Tin plate over Nickel plate. All models, (+) suffix.
For RoHS-5 Case Styles: Tin-Lead plate. All models, no (+) suffix.

Tape & Reel Packaging TR-F24



Tape Width, mm	Device Cavity Pitch, mm	Reel Size, inches	Devices per Reel
16	12	13	500

Mini-Circuits carrier tape materials provide protection from ESD (Electro-Static Discharge) during handling and transportation. Tapes are static dissipative and comply with industry standards EIA-481/EIA-541.

Go to: www.minicircuits.com/pages/pdfs/tape.pdf



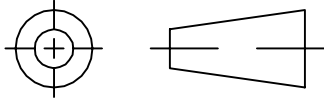
INTERNET <http://www.minicircuits.com>

P.O. Box 350166, Brooklyn, New York 11235-0003 (718) 934-4500 Fax (718) 332-4661

Distribution Centers NORTH AMERICA 800-654-7949 • 417-335-5935 • Fax 417-335-5945 • EUROPE 44-1252-832600 • Fax 44-1252-837010

Mini-Circuits ISO 9001 & ISO 14001 Certified

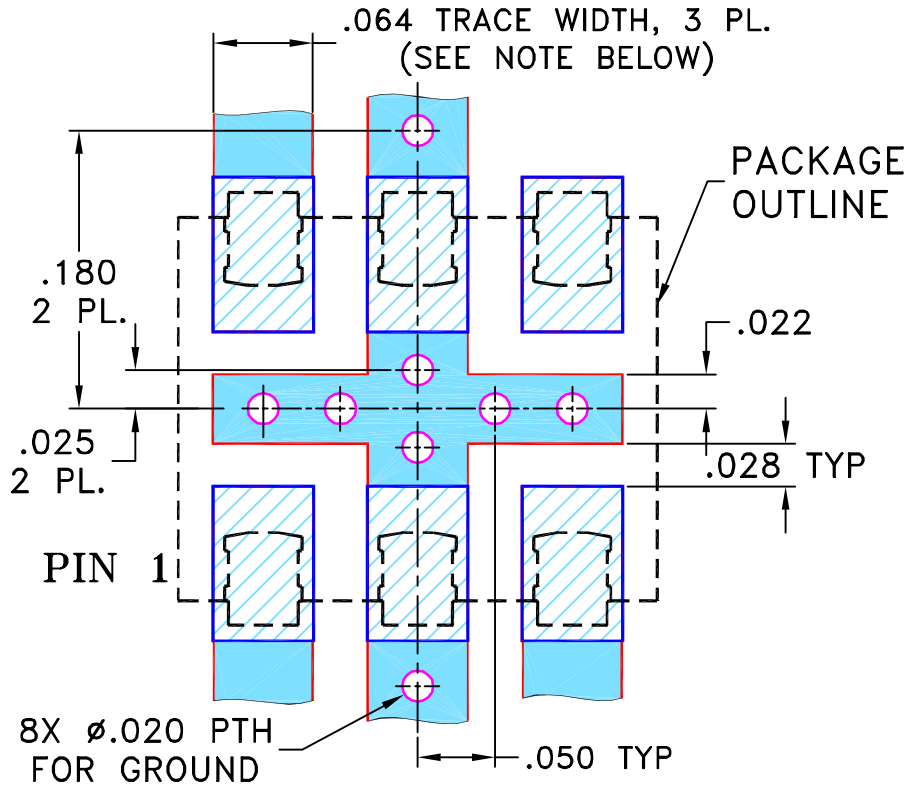
THIRD ANGLE PROJECTION



REVISIONS

REV	ECN No.	DESCRIPTION	DATE	DR	AUTH
OR	M81463	NEW RELEASE	07/23/02	MMG	LC
A	M102713	ADDED NOTE 2 & "...WITH SMOBC"	01/17/06	MMG	IL

**SUGGESTED MOUNTING CONFIGURATION
FOR BH292 CASE STYLE, "hz" PIN CONNECTION**



- NOTES: 1. TRACE WIDTH IS SHOWN FOR ROGERS RO4350B WITH DIELECTRIC THICKNESS .030" ± .002"; COPPER: 1/2 OZ. EACH SIDE.
FOR OTHER MATERIALS TRACE WIDTH MAY NEED TO BE MODIFIED.
2. BOTTOM SIDE OF THE PCB IS CONTINUOUS GROUND PLANE.

- DENOTES PCB COPPER LAYOUT WITH SMOBC (SOLDER MASK OVER BARE COPPER)
- DENOTES COPPER LAND PATTERN FREE OF SOLDER MASK

UNLESS OTHERWISE SPECIFIED	INITIALS	DATE
DIMENSIONS ARE IN INCHES TOLERANCES ON: 2 PL DECIMALS ± 3 PL DECIMALS ± .005 ANGLES ± FRACTIONS ±	DRAWN	MMG 07/08/02
	CHECKED	AV 07/23/02
	APPROVED	LC 07/23/02

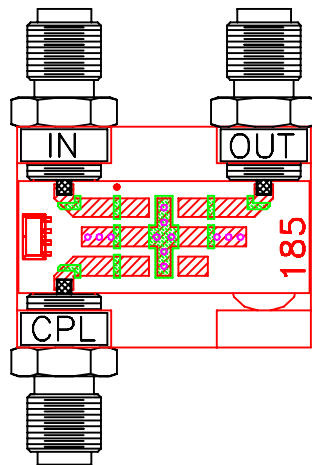
Mini-Circuits® 13 Neptune Avenue
Brooklyn NY 11235

PL, hz, BH292, JDC, TB-185

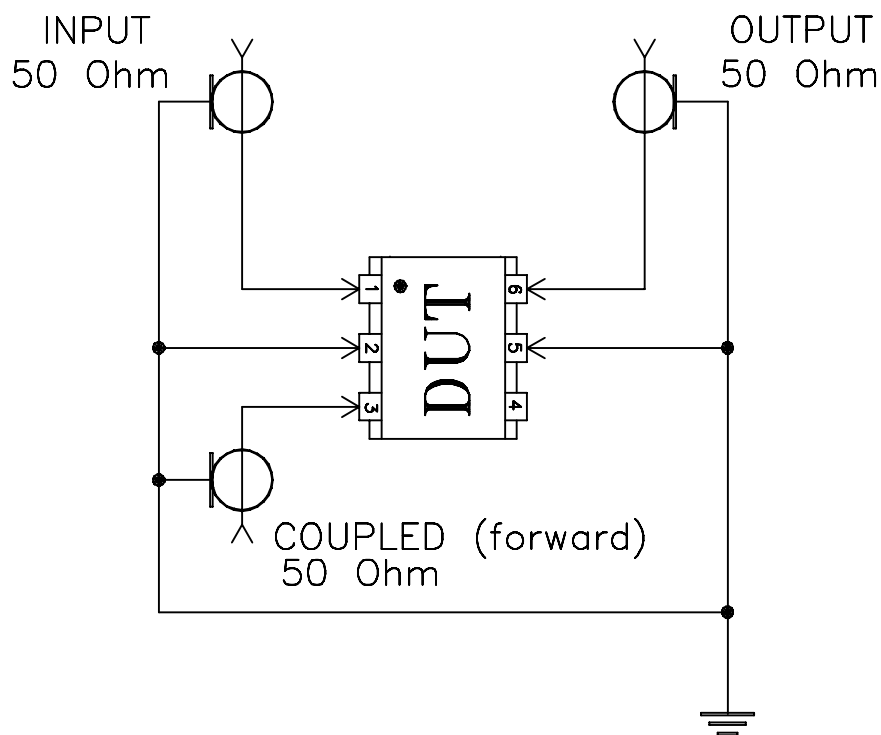
Mini-Circuits®
THIS DOCUMENT AND ITS CONTENTS ARE THE PROPERTY OF MINI-CIRCUITS. EXCEPT FOR USE EXPRESSLY GRANTED, IN WRITING, TO ITS VENDORS, VENDEE AND THE UNITED STATES GOVERNMENT, MINI-CIRCUITS RESERVES ALL PROPRIETARY DESIGN, USE, MANUFACTURING AND REPRODUCTION RIGHTS THERETO. THESE CONTENTS SHALL NOT BE USED, DUPLICATED OR DISCLOSED TO ANY OUTSIDE PARTY, IN WHOLE OR IN PART, WITHOUT WRITTEN PERMISSION OF MINI-CIRCUITS.
ASHEETA1.DWG REV:A DATE:01/12/95

SIZE	CODE IDENT	DRAWING NO:	REV:
A	15542	98-PL-046	A
FILE:	98PL046	SCALE: 8:1	SHEET: 1 OF 1

Evaluation Board and Circuit



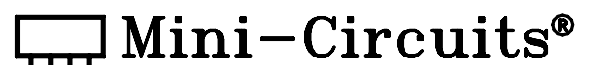
TB-185



Schematic Diagram

Notes:

1. SMA Female connectors.
2. PCB Material: Rogers R04350 or equivalent, Dielectric Constant=3.5, Thickness=.030 inch.





All Mini-Circuits products are manufactured under exacting quality assurance and control standards, and are capable of meeting published specifications after being subjected to any or all of the following physical and environmental test.

Specification	Test/Inspection Condition	Reference/Spec
Operating Temperature	-40° to 85°C Ambient Environment	Individual Model Data Sheet
Storage Temperature	-55° to 100° C Ambient Environment	Individual Model Data Sheet
Humidity	90 to 95% RH, 240 hours, 50°C	MIL-STD-202, Method 103, Condition A, Except 50°C and end-point electrical test done within 12 hours
Thermal Shock	-55° to 100°C, 100 cycles	MIL-STD-202, Method 107, Condition A-3, except +100°C
Solder Reflow Heat	Sn-Pb Eutetic Process: 225°C peak Pb-Free Process 245° - 250°C peak	J-STD-020, Table 4-1, 4-2 and 5-2, Figure 5-1
Solderability	10X Magnification	J-STD-002, 95% Coverage
Vibration (High Frequency)	20g peak, 10-2000 Hz, 12 times in each of three perpendicular directions (total 36)	MIL-STD-202, Method 204, Condition D
Mechanical Shock	50g, 11 ms, 1/2-sine, 18 shocks: 3 each direction, each of 3 axes	MIL-STD-202, Method 213, Condition A
Marking Resistance to Solvents	Isopropyl alcohol + mineral spirits at 25°C; terpene defluxer at 25°C; distilled water + proylene glycol monomethyl ether + monoethanolamine at 63°C to 70°C	MIL-STD-202, Method 215