



MICROWAVE

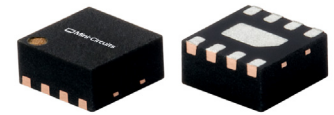
# Gain Equalizer

## EQY-12-24+

50Ω 12dB DC to 20 GHz

### THE BIG DEAL

- 12 dB Slope
- Small Package 2 x 2 mm MCLP
- Wide Bandwidth, DC to 20 GHz
- Excellent Return Loss, 20 dB typ.



Generic photo used for illustration purposes only

CASE STYLE: MC1631-1

### APPLICATIONS

- Fixed Satellite
- Mobile
- Radio location
- Space research

#### +RoHS Compliant

The +Suffix identifies RoHS Compliance. See our website for methodologies and qualifications

### PRODUCT OVERVIEW

EQY-12-24+ is an absorptive Gain Equalizer fabricated using highly repetitive GaAs IPD MMIC process incorporating resistors, capacitors and inductors having negative insertion loss slope. EQY-12-24+ has a nominal attenuation slope of 12 dB and is packaged in tiny 2 x 2 mm, 8-Lead MCLP™ package.

### KEY FEATURES

| Feature                                       | Advantages   |
|---|--|
| Negative Insertion Loss Slope vs. Frequency   | Useful for compensating negative gain slope of amplifiers, receivers, transmitters to achieve flat gain versus frequency.  |
| Wide range of values<br>0,2,3,5,6,8,10,12 dB  | Enables circuit designer to change nominal insertion loss values without motherboard redesign making the EQY-XX-24+ Series ideal for select at test application.                                   |
| Wideband operation, DC to 20 GHz              | Supports a wide array of applications including wireless cellular, microwave communications, satellite, defense and aerospace, medical broadband and optic applications.                           |
| Excellent Power Handling Capability           | Enables its use at the output of a variety of amplifiers   |
| Small Size and simple to use<br>(2 mm x 2 mm) | As a single chip solution, the EQY-XX-24+ Series occupies less board space than a lumped element approach, minimizes component count and ensures repeatable performance over wide frequency range. |

\*GaAs IPD (Gallium Arsenide Integrated Passive Device)

REV. A  
ECO-014561  
EQY-12-24+  
MCL NY  
220817





MICROWAVE

# Gain Equalizer

## EQY-12-24+

50Ω 12dB DC to 20 GHz

### ELECTRICAL SPECIFICATIONS<sup>1</sup> AT 25°C, 50Ω, UNLESS OTHERWISE NOTED.

| Parameter       | Condition (GHz) | Min. | Typ. | Max. | Units |
|-----------------|-----------------|------|------|------|-------|
| Frequency Range |                 | DC   |      | 20   | GHz   |
| Insertion Loss  | 0.01            | 13.1 | 13.4 | 13.7 | dB    |
|                 | 5               | –    | 10.5 | –    |       |
|                 | 10              | –    | 6.4  | –    |       |
|                 | 18              | 1.6  | 1.9  | 2.2  |       |
|                 | 20              | –    | 1.4  | –    |       |
| VSWR            | 0.01 - 5        | –    | 1.08 | –    | :1    |
|                 | 5 - 10          | –    | 1.09 | –    |       |
|                 | 10 - 18         | –    | 1.22 | –    |       |
|                 | 18 - 20         | –    | 1.24 | –    |       |

1. Measured on Mini-Circuits Characterization Test Board TB-EQY-12-24+. See Characterization Test Circuit (Fig. 1)

### MAXIMUM RATINGS<sup>2</sup>

| Parameter                   | Ratings        |
|-----------------------------|----------------|
| Operating Case Temperature  | -55°C to 105°C |
| Storage Temperature         | -65°C to 150°C |
| RF Input Power <sup>3</sup> | +30 dBm        |

2. Permanent damage may occur if any of these limits are exceeded.

3. Derates linearly to +28 dBm at 105°C





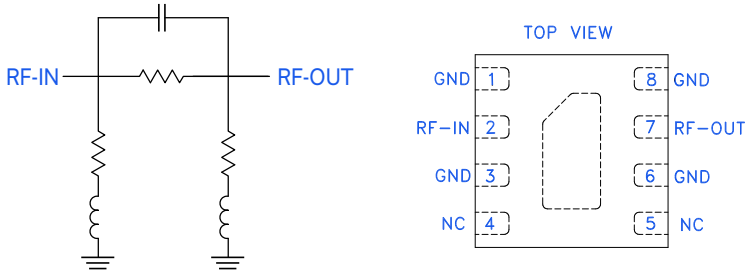
MICROWAVE

# Gain Equalizer

## EQY-12-24+

50Ω 12dB DC to 20 GHz

### SIMPLIFIED SCHEMATIC & PAD DESCRIPTION



| Function | Pad Number       | Description                                   |
|----------|------------------|---|
| RF-IN    | 2                | RF-Input pad                                  |
| RF-OUT   | 7                | RF-Output pad                                 |
| GND      | 1,3,6,8 & Paddle | Ground  |
| NC       | 4,5              | No connection, connected to ground externally |

### CHARACTERIZATION TEST CIRCUIT

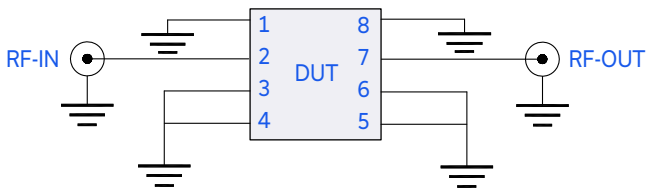
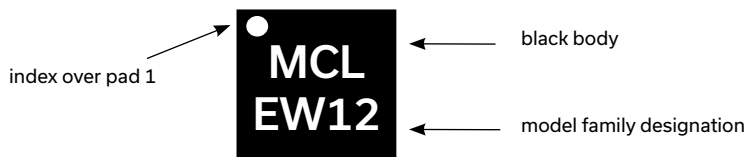


Fig 1. Block Diagram of Test Circuit used for characterization. Test Board TB-EQY-12-24+ Conditions: Attenuation & Return Loss Pin=0 dBm

### PRODUCT MARKING



Marking may contain other features or characters for internal lot control



MICROWAVE

# Gain Equalizer

## EQY-12-24+

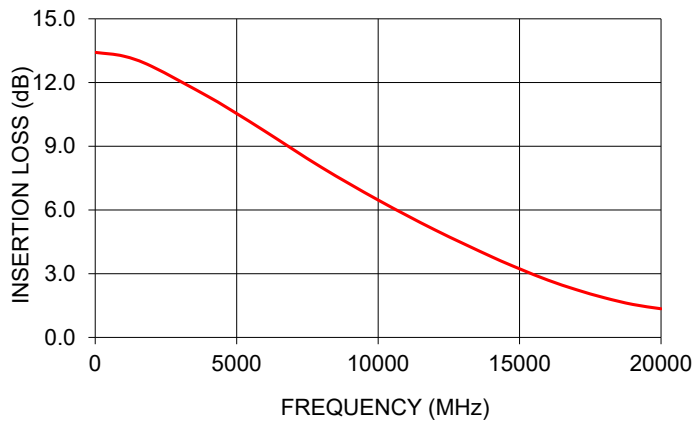
Mini-Circuits

50Ω 12dB DC to 20 GHz

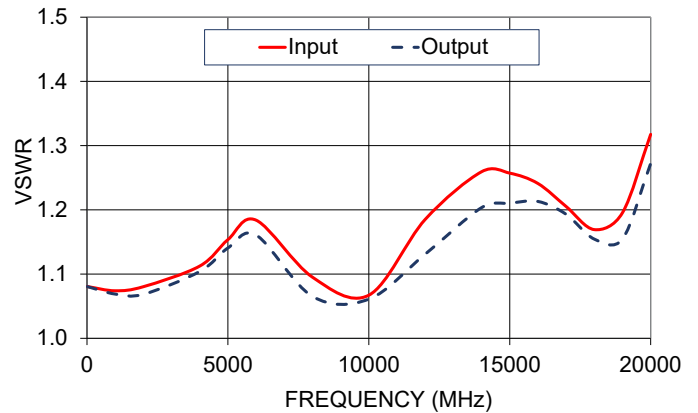
### TYPICAL PERFORMANCE DATA AT 25°C

| Frequency (MHz) | Insertion Loss (dB) | Input VSWR (:1) | Output VSWR (:1) |
|-----------------|---------------------|-----------------|------------------|
| 10              | 13.39               | 1.09            | 1.10             |
| 1000            | 13.28               | 1.05            | 1.05             |
| 2000            | 12.95               | 1.07            | 1.07             |
| 4000            | 11.88               | 1.20            | 1.22             |
| 5000            | 11.12               | 1.21            | 1.24             |
| 6000            | 10.24               | 1.18            | 1.21             |
| 8000            | 8.32                | 1.22            | 1.13             |
| 10000           | 6.44                | 1.15            | 1.15             |
| 12000           | 4.77                | 1.20            | 1.25             |
| 14000           | 3.45                | 1.27            | 1.36             |
| 15000           | 2.90                | 1.29            | 1.37             |
| 16000           | 2.39                | 1.19            | 1.27             |
| 17000           | 1.93                | 1.13            | 1.14             |
| 18000           | 1.58                | 1.09            | 1.08             |
| 19000           | 1.37                | 1.01            | 1.09             |
| 20000           | 1.06                | 1.08            | 1.13             |

EQY-12-24+  
INSERTION LOSS



EQY-12-24+  
VSWR





MICROWAVE

# Gain Equalizer

## EQY-12-24+

50Ω 12dB DC to 20 GHz

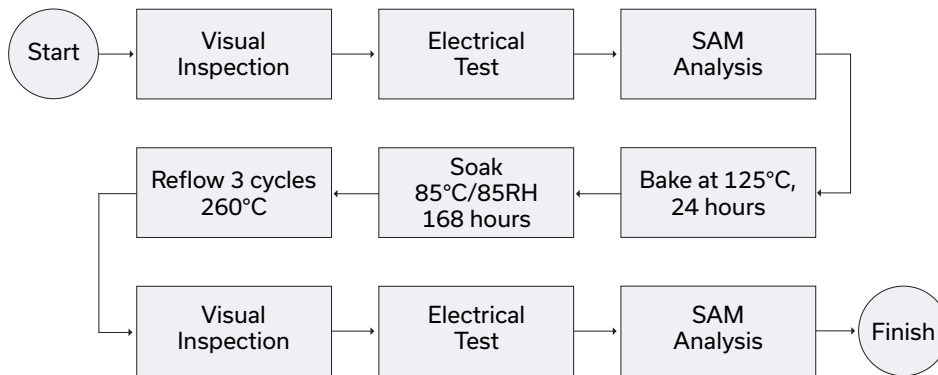
ADDITIONAL DETAILED TECHNICAL INFORMATION IS AVAILABLE ON OUR DASH BOARD. TO ACCESS [CLICK HERE](#)

|  |   |
|--|---|
| Performance Data                                     | Data Table  |
|  | Swept Graphs  |
| Case Style   | MC1631-1 Plastic package, Lead finish: Matte-tin            |
| Tape & Reel<br>Standard quantities available on reel | F66<br>7" reels with 20, 50, 100, 200, 500,1K or 2K devices |
| Suggested Layout for PCB Design                      | PL-618  |
| Evaluation Board                                     | TB-EQY-12-24+   |
| Environmental Ratings                                | ENV08T1   |

### ESD RATING

Human Body Model (HBM): Class 2 (Pass 2000V) in accordance with ANSI/ESD STM 5.1 - 2001 Machine.

### MSL TEST FLOW CHART



#### NOTES

- A. Performance and quality attributes and conditions not expressly stated in this specification document are intended to be excluded and do not form a part of this specification document.
- B. Electrical specifications and performance data contained in this specification document are based on Mini-Circuit's applicable established test performance criteria and measurement instructions.
- C. The parts covered by this specification document are subject to Mini-Circuits standard limited warranty and terms and conditions (collectively, "Standard Terms"); Purchasers of this part are entitled to the rights and benefits contained therein. For a full statement of the standard terms and the exclusive rights and remedies thereunder, please visit Mini-Circuits' website at [www.minicircuits.com/terms/viewterm.html](http://www.minicircuits.com/terms/viewterm.html)



# MMIC Gain Equalizer

# EQY-12-24+

## Typical Performance Data

| FREQ.<br><br>(MHz) | INSERTION LOSS |       |         | INPUT VSWR |       |         | OUTPUT VSWR |       |         |
|--------------------|----------------|-------|---------|------------|-------|---------|-------------|-------|---------|
|                    | (dB)           |       |         | (:1)       |       |         | (:1)        |       |         |
|                    | @-55°C         | @25°C | @+105°C | @-55°C     | @25°C | @+105°C | @-55°C      | @25°C | @+105°C |
| 10                 | 13.40          | 13.39 | 13.38   | 1.09       | 1.10  | 1.10    | 1.09        | 1.10  | 1.10    |
| 50                 | 13.43          | 13.37 | 13.41   | 1.10       | 1.10  | 1.10    | 1.09        | 1.10  | 1.10    |
| 100                | 13.40          | 13.39 | 13.39   | 1.09       | 1.09  | 1.10    | 1.09        | 1.09  | 1.10    |
| 500                | 13.35          | 13.35 | 13.35   | 1.09       | 1.09  | 1.09    | 1.09        | 1.09  | 1.09    |
| 1000               | 13.21          | 13.22 | 13.22   | 1.09       | 1.09  | 1.10    | 1.08        | 1.09  | 1.09    |
| 1500               | 13.00          | 13.01 | 13.01   | 1.09       | 1.10  | 1.10    | 1.09        | 1.09  | 1.09    |
| 2000               | 12.73          | 12.74 | 12.74   | 1.10       | 1.10  | 1.10    | 1.09        | 1.09  | 1.09    |
| 2500               | 12.40          | 12.41 | 12.42   | 1.10       | 1.10  | 1.10    | 1.09        | 1.09  | 1.09    |
| 3000               | 12.05          | 12.06 | 12.07   | 1.10       | 1.09  | 1.09    | 1.09        | 1.09  | 1.09    |
| 3500               | 11.67          | 11.68 | 11.69   | 1.10       | 1.09  | 1.09    | 1.09        | 1.09  | 1.08    |
| 4000               | 11.28          | 11.30 | 11.30   | 1.10       | 1.09  | 1.09    | 1.10        | 1.09  | 1.09    |
| 4500               | 10.88          | 10.90 | 10.91   | 1.11       | 1.10  | 1.10    | 1.10        | 1.10  | 1.10    |
| 5000               | 10.47          | 10.49 | 10.50   | 1.12       | 1.12  | 1.12    | 1.12        | 1.11  | 1.11    |
| 5500               | 10.04          | 10.07 | 10.08   | 1.14       | 1.14  | 1.14    | 1.13        | 1.13  | 1.13    |
| 6000               | 9.62           | 9.64  | 9.66    | 1.16       | 1.16  | 1.16    | 1.14        | 1.14  | 1.14    |
| 6500               | 9.19           | 9.22  | 9.23    | 1.17       | 1.17  | 1.17    | 1.15        | 1.15  | 1.15    |
| 7000               | 8.76           | 8.79  | 8.81    | 1.17       | 1.17  | 1.17    | 1.14        | 1.14  | 1.14    |
| 7500               | 8.34           | 8.38  | 8.40    | 1.15       | 1.15  | 1.15    | 1.11        | 1.12  | 1.12    |
| 8000               | 7.94           | 7.98  | 8.00    | 1.10       | 1.11  | 1.11    | 1.07        | 1.07  | 1.08    |
| 8500               | 7.54           | 7.59  | 7.62    | 1.05       | 1.06  | 1.06    | 1.02        | 1.02  | 1.03    |
| 9000               | 7.15           | 7.20  | 7.23    | 1.01       | 1.01  | 1.01    | 1.03        | 1.02  | 1.02    |
| 9500               | 6.78           | 6.82  | 6.86    | 1.04       | 1.04  | 1.04    | 1.06        | 1.06  | 1.06    |
| 10000              | 6.40           | 6.46  | 6.49    | 1.08       | 1.08  | 1.08    | 1.09        | 1.09  | 1.09    |
| 10500              | 6.03           | 6.09  | 6.13    | 1.11       | 1.11  | 1.11    | 1.11        | 1.11  | 1.11    |
| 11000              | 5.69           | 5.75  | 5.79    | 1.15       | 1.14  | 1.14    | 1.13        | 1.12  | 1.12    |
| 11500              | 5.36           | 5.42  | 5.46    | 1.19       | 1.18  | 1.17    | 1.16        | 1.15  | 1.14    |
| 12000              | 5.03           | 5.09  | 5.13    | 1.23       | 1.21  | 1.20    | 1.20        | 1.18  | 1.16    |
| 12500              | 4.70           | 4.76  | 4.80    | 1.25       | 1.23  | 1.22    | 1.21        | 1.19  | 1.18    |
| 13000              | 4.37           | 4.44  | 4.48    | 1.24       | 1.23  | 1.22    | 1.20        | 1.19  | 1.17    |
| 13500              | 4.03           | 4.10  | 4.15    | 1.22       | 1.21  | 1.20    | 1.17        | 1.16  | 1.16    |
| 14000              | 3.72           | 3.79  | 3.85    | 1.19       | 1.18  | 1.18    | 1.14        | 1.14  | 1.14    |
| 14500              | 3.40           | 3.48  | 3.54    | 1.17       | 1.17  | 1.17    | 1.13        | 1.13  | 1.13    |
| 15000              | 3.12           | 3.21  | 3.27    | 1.17       | 1.17  | 1.17    | 1.15        | 1.14  | 1.14    |
| 15500              | 2.84           | 2.93  | 3.00    | 1.19       | 1.18  | 1.18    | 1.16        | 1.16  | 1.16    |
| 16000              | 2.60           | 2.69  | 2.76    | 1.23       | 1.22  | 1.21    | 1.19        | 1.19  | 1.19    |
| 16500              | 2.39           | 2.49  | 2.56    | 1.25       | 1.24  | 1.23    | 1.23        | 1.22  | 1.22    |
| 17000              | 2.19           | 2.29  | 2.36    | 1.26       | 1.26  | 1.25    | 1.25        | 1.25  | 1.24    |
| 17500              | 1.94           | 2.06  | 2.13    | 1.26       | 1.26  | 1.25    | 1.26        | 1.25  | 1.24    |
| 18000              | 1.77           | 1.88  | 1.96    | 1.27       | 1.26  | 1.25    | 1.25        | 1.24  | 1.23    |
| 18500              | 1.59           | 1.70  | 1.78    | 1.28       | 1.27  | 1.25    | 1.24        | 1.22  | 1.21    |
| 19000              | 1.45           | 1.56  | 1.64    | 1.31       | 1.28  | 1.25    | 1.25        | 1.23  | 1.21    |
| 19500              | 1.27           | 1.39  | 1.47    | 1.32       | 1.29  | 1.27    | 1.27        | 1.24  | 1.22    |
| 20000              | 1.15           | 1.28  | 1.37    | 1.32       | 1.31  | 1.30    | 1.28        | 1.27  | 1.25    |
| 20500              | 1.02           | 1.16  | 1.26    | 1.33       | 1.33  | 1.34    | 1.30        | 1.30  | 1.29    |
| 21000              | 0.92           | 1.07  | 1.19    | 1.37       | 1.37  | 1.37    | 1.29        | 1.29  | 1.30    |
| 21500              | 0.89           | 1.04  | 1.15    | 1.43       | 1.41  | 1.41    | 1.34        | 1.32  | 1.33    |
| 22000              | 0.89           | 1.04  | 1.15    | 1.48       | 1.45  | 1.44    | 1.41        | 1.39  | 1.38    |
| 22500              | 0.99           | 1.15  | 1.27    | 1.50       | 1.49  | 1.48    | 1.44        | 1.43  | 1.43    |
| 23000              | 1.09           | 1.26  | 1.39    | 1.53       | 1.54  | 1.55    | 1.50        | 1.51  | 1.52    |



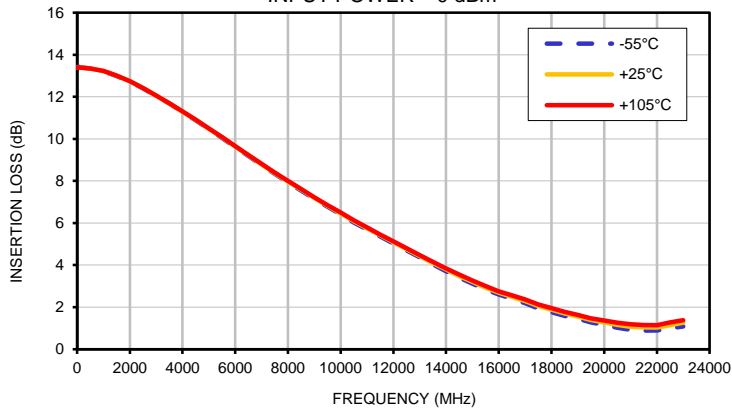
P.O. Box 350166, Brooklyn, New York 11235-0003 (718) 934-4500 • Fax (718) 332-4661 For detailed performance specs & shopping online see Mini-Circuits web site  
 The Design Engineers Search Engine Provides ACTUAL Data Instantly From MINI-CIRCUITS At: www.minicircuits.com



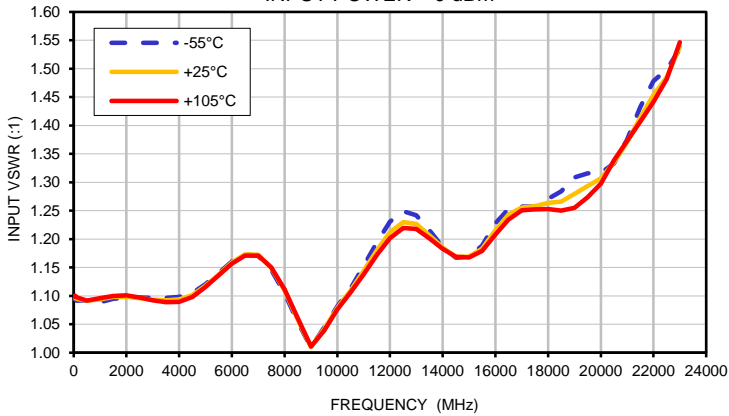
IF/RF MICROWAVE COMPONENTS

## Typical Performance Curves

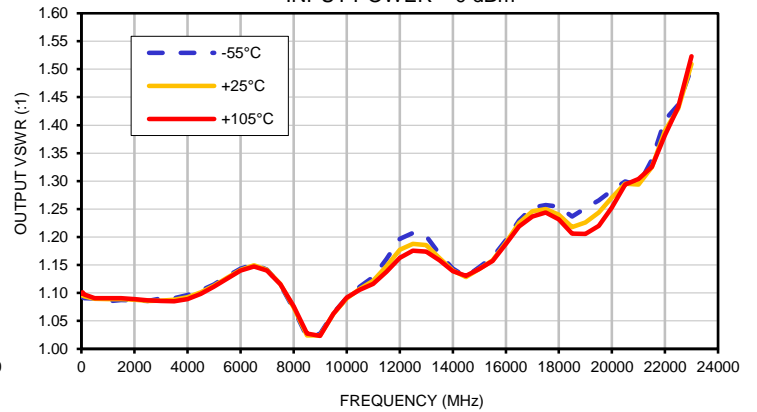
**INSERTION LOSS vs. TEMPERATURE**  
INPUT POWER = 0 dBm



**INPUT VSWR vs. TEMPERATURE**  
INPUT POWER = 0 dBm

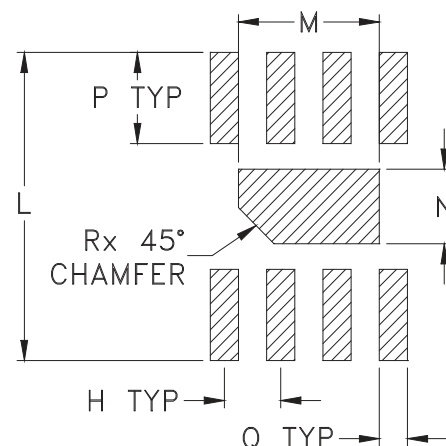
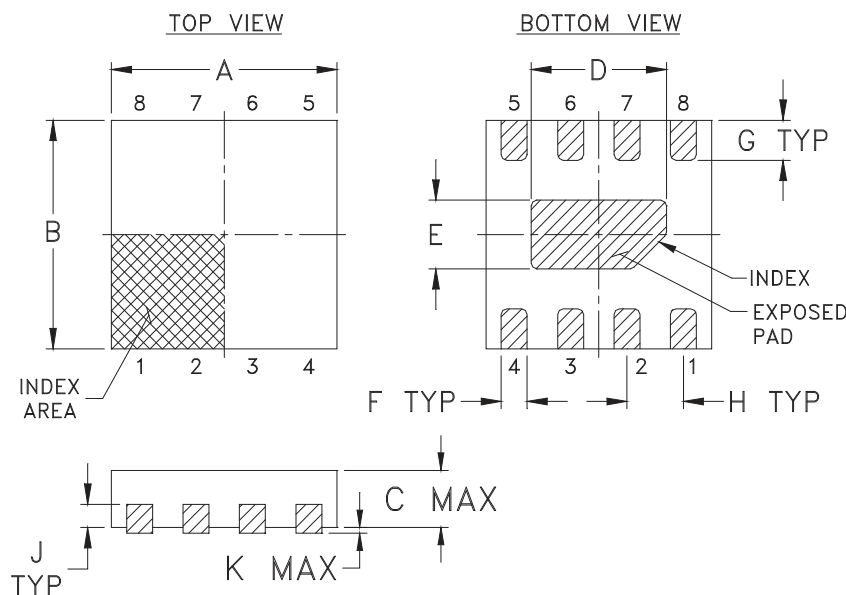


**OUTPUT VSWR vs. TEMPERATURE**  
INPUT POWER = 0 dBm



### Outline Dimensions

### PCB Land Pattern



Suggested Layout,  
Tolerance to be within  $\pm .002$

| SE #.    | A              | B              | C              | D              | E             | F             | G             | H             | J             | K             | L              | M              | N             | P             |
|----------|----------------|----------------|----------------|----------------|---------------|---------------|---------------|---------------|---------------|---------------|----------------|----------------|---------------|---------------|
| MC1631-1 | .079<br>(2.00) | .079<br>(2.00) | .039<br>(1.00) | .047<br>(1.20) | .024<br>(.60) | .009<br>(.23) | .014<br>(.35) | .020<br>(.50) | .008<br>(.20) | .002<br>(.05) | .106<br>(2.70) | .049<br>(1.25) | .026<br>(.65) | .031<br>(.80) |

| CASE #.  | Q             | R             | WT, GRAM |
|----------|---------------|---------------|----------|
| MC1631-1 | .010<br>(.25) | .012<br>(.30) | .006     |

Dimensions are in inches (mm). Tolerances: 2 Pl.  $\pm .01$ ; 3 Pl.  $\pm .005$

#### Notes:

- Case material: Plastic.
- Termination finish:  
For RoHS Case Styles: Tin-Silver over Nickel plated or Matte-Tin Plated (See Data sheet).  
All models, (+) suffix.
- Lead #1 identifier shall be located in the cross-hatched area shown.  
Identifier may be either a molded or marked feature.



P.O. Box 350166, Brooklyn, New York 11235-0003 (718) 934-4500 Fax (718) 332-4661 For detailed performance specs & shopping online see Mini-Circuits web site



The Design Engineers Search Engine Provides ACTUAL Data Instantly From MINI-CIRCUITS At: [www.minicircuits.com](http://www.minicircuits.com)

RF/IF MICROWAVE COMPONENTS



# Tape & Reel Packaging TR-F66



| Tape Width, mm | Device Cavity Pitch, mm | Reel Size, inches | Devices per Reel<br>see note |                  |
|----------------|-------------------------|-------------------|------------------------------|------------------|
| 8              | 4                       | 7                 | Small quantity standard      | 20               |
|                |                         |                   |                              | 50               |
|                |                         |                   |                              | 100              |
|                |                         |                   |                              | 200              |
|                |                         |                   |                              | 500              |
|                |                         | 7                 | Standard                     | 1000, 2000, 3000 |

Note: Please consult individual model data sheet to determine device per reel availability.

Mini-Circuits carrier tape materials provide protection from ESD (Electro-Static Discharge) during handling and transportation. Tapes are static dissipative and comply with industry standards EIA-481/EIA-541.

Go to: [www.minicircuits.com/pages/pdfs/tape.pdf](http://www.minicircuits.com/pages/pdfs/tape.pdf)

**Mini-Circuits®**

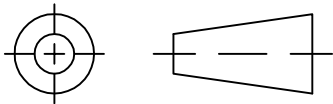
INTERNET <http://www.minicircuits.com>

P.O. Box 350166, Brooklyn, New York 11235-0003 (718) 934-4500 Fax (718) 332-4661

Distribution Centers NORTH AMERICA 800-654-7949 • 417-335-5935 • Fax 417-335-5945 • EUROPE 44-1252-832600 • Fax 44-1252-837010

Mini-Circuits ISO 9001 & ISO 14001 Certified

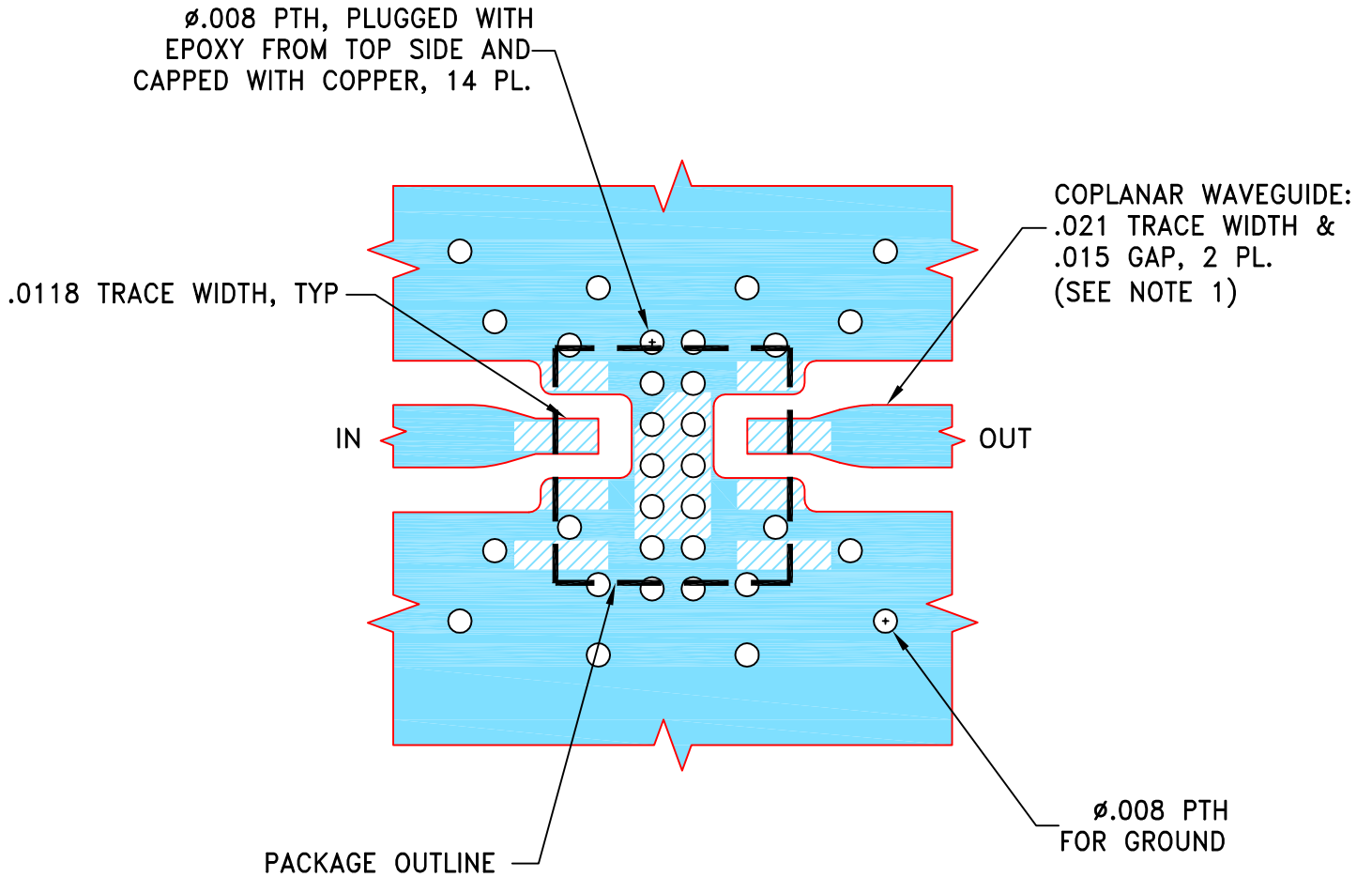
THIRD ANGLE PROJECTION



REVISIONS

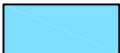
| REV | ECN No. | DESCRIPTION | DATE     | DR | AUTH |
|-----|---------|-------------|----------|----|------|
| OR  | M171992 | NEW RELEASE | 01/22/19 | NP | GH   |
|     |         |             |          |    |      |
|     |         |             |          |    |      |

SUGGESTED MOUNTING CONFIGURATION  
FOR MC1631-1 CASE STYLE, "08EQ02" PIN CODE



**NOTES:**

1. TRACE WIDTH AND GAP PARAMETERS ARE SHOWN FOR ROGERS R04350B WITH DIELECTRIC THICKNESS .010"±.001". COPPER: 1/2 OZ. EACH SIDE. FOR OTHER MATERIALS TRACE WIDTH AND GAP MAY NEED TO BE MODIFIED.
2. BOTTOM SIDE OF THE PCB IS CONTINUOUS GROUND PLANE.
3. UNIT LAND PATTERN WAS OPTIMIZED FOR BETTER PERFORMANCE.



DENOTES PCB COPPER LAYOUT WITH SMOBC (SOLDER MASK OVER BARE COPPER).



DENOTES COPPER LAND PATTERN FREE OF SOLDER MASK.

| UNLESS OTHERWISE SPECIFIED | INITIALS    | DATE     |
|----------------------------|-------------|----------|
| DIMENSIONS ARE IN INCHES   | DRAWN NP    | 01/22/19 |
| TOLERANCES ON:             | CHECKED GF  | 01/22/19 |
| 2 PL DECIMALS ±            | APPROVED GH | 01/22/19 |
| 3 PL DECIMALS ± .005       |             |          |
| ANGLES ±                   |             |          |
| FRACTIONS ±                |             |          |



**Mini-Circuits®**

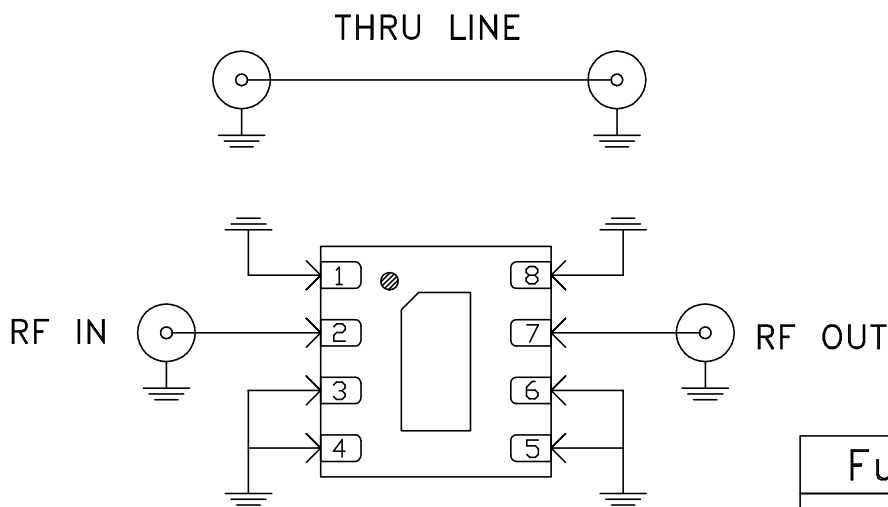
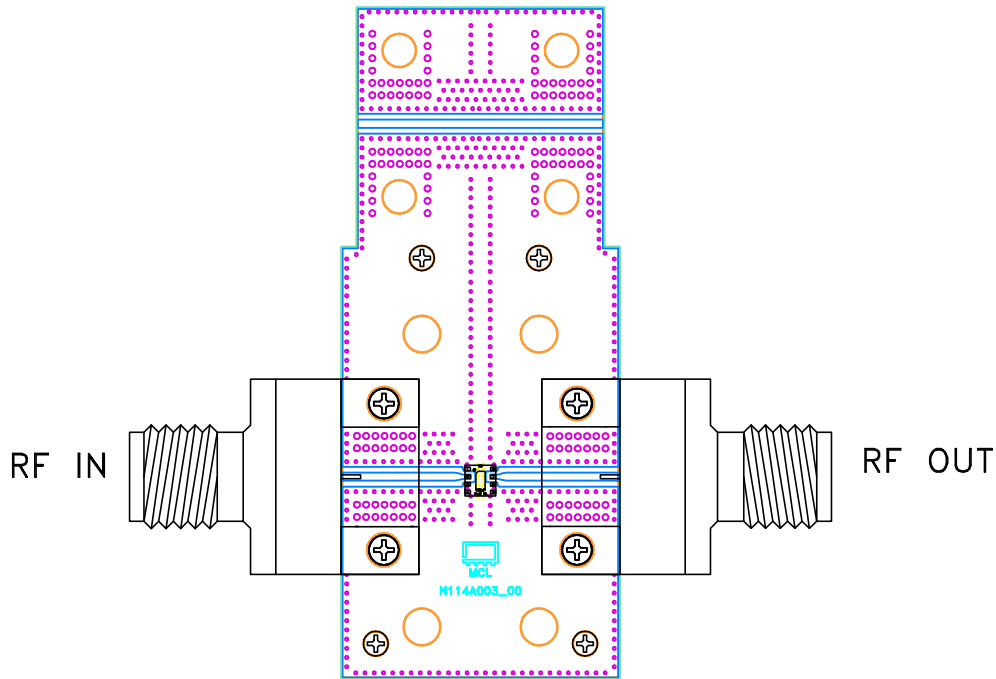
13 Neptune Avenue  
 Brooklyn NY 11235

PL, 08EQ02, MC1631-1, TB-EQY-N-24+

|                  |                     |                          |            |
|------------------|---------------------|--------------------------|------------|
| SIZE<br>A        | CODE IDENT<br>15542 | DRAWING NO:<br>98-PL-618 | REV:<br>OR |
| FILE:<br>98PL618 | SCALE:<br>16:1      | SHEET:<br>1 OF 1         |            |

Mini-Circuits®  
 THIS DOCUMENT AND ITS CONTENTS ARE THE PROPERTY OF MINI-CIRCUITS. EXCEPT FOR USE EXPRESSLY GRANTED, IN WRITING, TO ITS VENDORS, VENDEE AND THE UNITED STATES GOVERNMENT, MINI-CIRCUITS RESERVES ALL PROPRIETARY DESIGN, USE, MANUFACTURING AND REPRODUCTION RIGHTS THERETO. THESE CONTENTS SHALL NOT BE USED, DUPLICATED OR DISCLOSED TO ANY OUTSIDE PARTY, IN WHOLE OR IN PART, WITHOUT WRITTEN PERMISSION OF MINI-CIRCUITS.  
 ASHETA1.DWG REV:A DATE:01/12/95

# Evaluation Board and Circuit

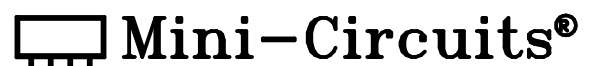


| Function | Pad         |
|----------|-------------|
| RF IN    | 2           |
| RF OUT   | 7           |
| GND      | 1,3,4,5,6,8 |

Schematic Diagram

## NOTES:

- 2.92 mm Female Connectors.
- PCB Material: Roger R04350B or equivalent, Dielectric constant=3.5, Thickness=0.010 inch



All Mini-Circuits products are manufactured under exacting quality assurance and control standards, and are capable of meeting published specifications after being subjected to any or all of the following physical and environmental test.

| Specification                  | Test/Inspection Condition  | Reference/Spec  |
|--------------------------------|--|---|
| Operating Temperature          | -40° to 85°C or -45° to 85°C<br>Ambient Environment  | Individual Model Data Sheet                                     |
| Storage Temperature            | -55° to 100° C or -65° to 150°<br>Ambient Environment  | Individual Model Data Sheet                                     |
| Thermal Shock                  | -55° to 100°C, 100 cycles  | MIL-STD-202, Method 107, Condition A-3, except +100°C           |
| Mechanical Shock               | 1.5Kg, 0.5 ms, 5 shock pulses, Y1 direction only   | MIL-STD-883, Method 2002, Condition B, except Y1 direction only |
| Vibration (Variable Frequency) | 50g peak   | MIL-STD-883, Method 2007, Condition B                           |
| Autoclave                      | 15 psig, 100% RH, 121°C, 96 hours  | JESD22-A102, Condition C  |
| HAST                           | 130°C, 85% RH, 96 hours  | JESD22-A110   |
| Solderability                  | 10X Magnification  | J-STD-002, Para 4.2.5, Test S, 95% Coverage                     |
| Solder Reflow Heat             | Sn-Pb Eutetic Process: 240°C peak<br>Pb-Free Process: 260°C peak   | J-STD-020, Table 4-1, 4-2 and 5-2; Figure 5-1                   |
| Moisture Sensitivity: Level 1  | Bake at 125°C for 24 hours<br>Soak at 85°C/85% RH for 168 hours, Reflow 3 cycles at 260°C peak                                 | J-STD-020   |
| Marking Resistance to Solvents | Isopropyl alcohol + mineral spirits at 25°C; terpene defluxer at 25°C;<br>distilled water + proylene glycol monomethyl ether + | MIL-STD-202, Method 215   |



All Mini-Circuits products are manufactured under exacting quality assurance and control standards, and are capable of meeting published specifications after being subjected to any or all of the following physical and environmental test.

| <b>Specification</b> | <b>Test/Inspection Condition</b> | <b>Reference/Spec</b> |
|----------------------|----------------------------------|-----------------------|
|                      | monoethanolamine at 63°C to 70°C |                       |