



TIGHT SPOT

# SMA Wrench

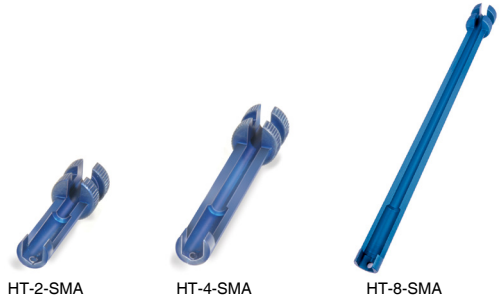
## HT-SERIES

Mini-Circuits

SMA Connectors

### THE BIG DEAL

- Ability to remove SMA connectors without removing the adjacent cables
- Small portable tool, fits in pocket
- Connect or disconnect SMA connectors in tight spaces
- Use in combination with torque wrench or just with fingers
- Protected by US Patent 9,027,446

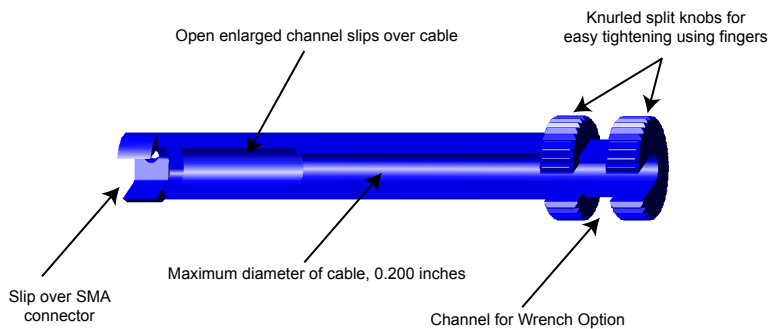


Generic photo used for illustration purposes only

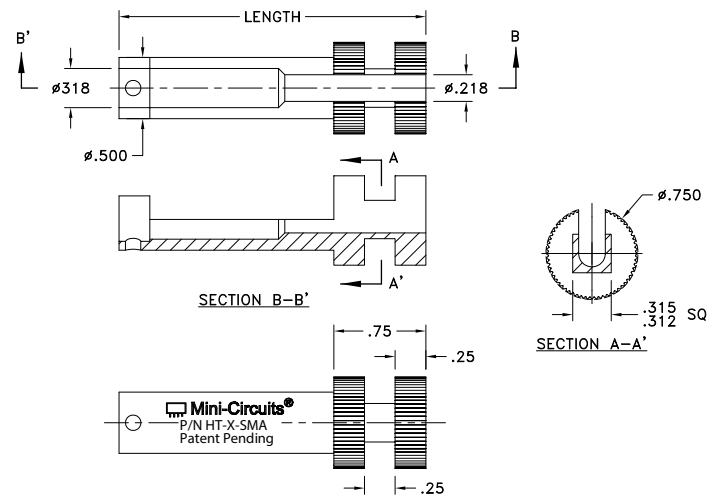
CASE STYLE: MY-1E

### PRODUCT OVERVIEW

The HT-Series wrenches allow for convenient and easy connecting or disconnecting of SMA cable connectors in tight spaces, with either a wrench or simply finger grip. The use of HT-Series accommodates most SMA cable width diameters.



### OUTLINE DRAWING



### HOW TO USE THE WRENCH

1. The open box wrench head is slid onto the hex nut as shown in figure-1.
2. The knurled split knobs are rotated to tighten or un-tighten the SMA cable nut by use of fingers. Alternatively, an open end wrench or a torque wrench can be used as shown in figure-2.

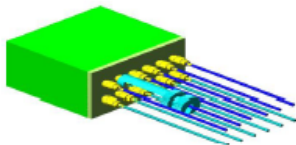


Figure-1

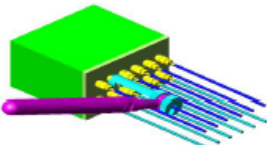
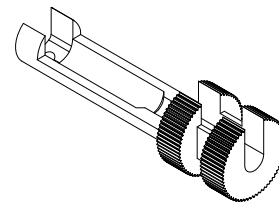


Figure-2



CASE #	LENGTH	WT GRAMS
MY-1E-004	2.50 (63.50)	13.2
MY-1E-005	4.00 (101.60)	18.5
MY-1E-008	8.00 (203.20)	34.0

### NOTES

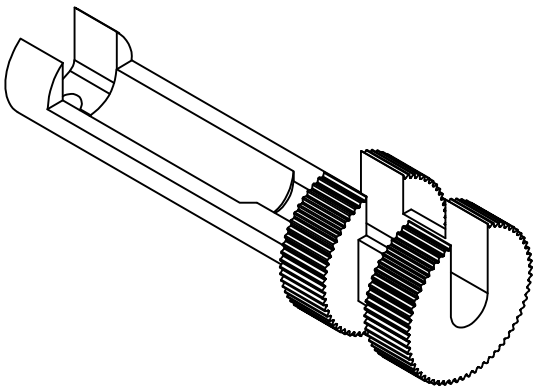
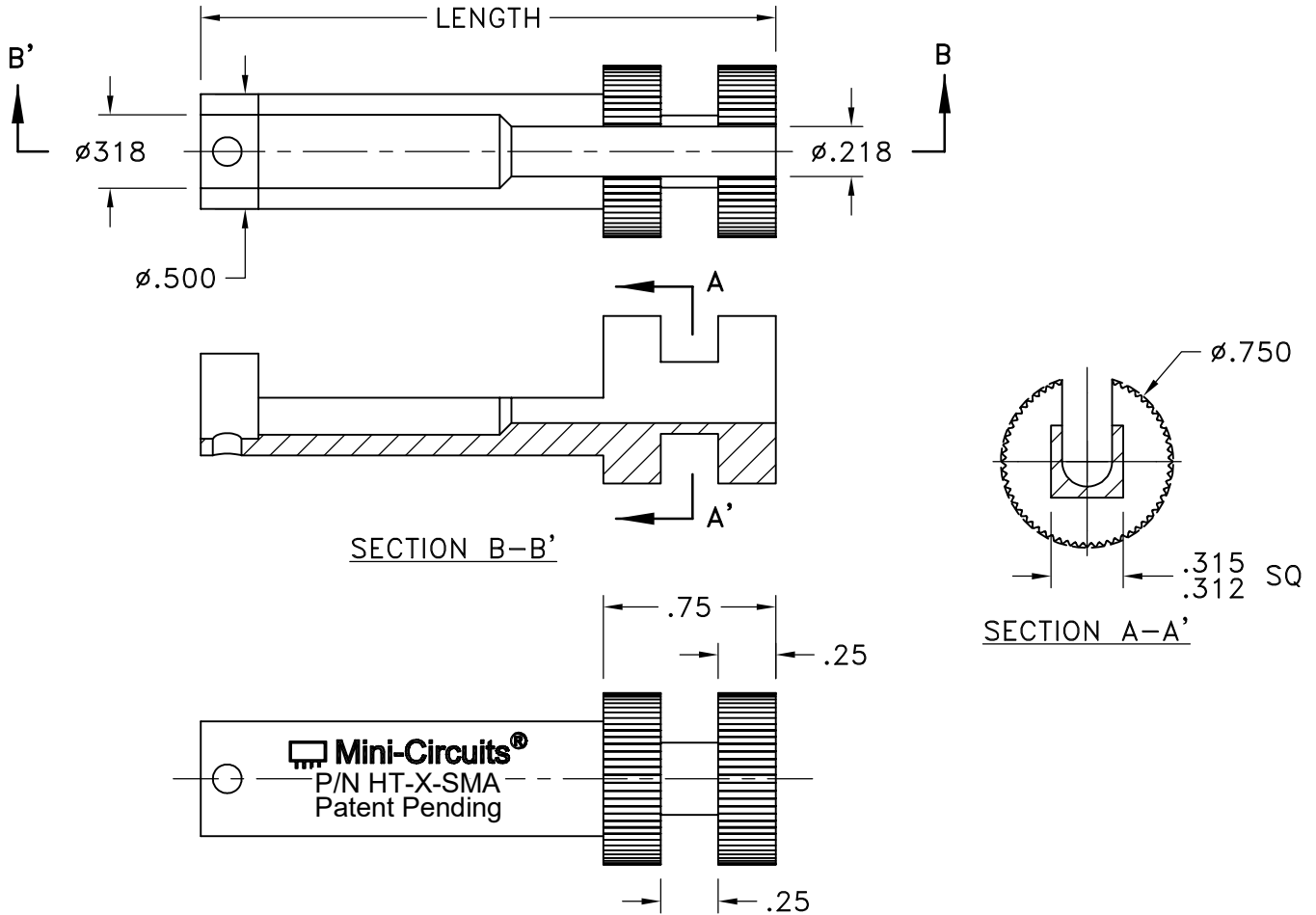
- A. Performance and quality attributes and conditions not expressly stated in this specification document are intended to be excluded and do not form a part of this specification document.
- B. Electrical specifications and performance data contained in this specification document are based on Mini-Circuit's applicable established test performance criteria and measurement instructions.
- C. The parts covered by this specification document are subject to Mini-Circuits standard limited warranty and terms and conditions (collectively, "Standard Terms"); Purchasers of this part are entitled to the rights and benefits contained therein. For a full statement of the standard. Terms and the exclusive rights and remedies thereunder, please visit Mini-Circuits' website at [www.minicircuits.com/terms/viewterm.html](http://www.minicircuits.com/terms/viewterm.html)

REV. E  
ECO-13251  
HT-SERIES  
BT/CP/AM  
240208



## Outline Dimensions

MY-1E



CASE #	LENGTH	WT GRAMS
MY-1E-004	2.50 (63.50)	13.2
MY-1E-005	4.00 (101.60)	18.5
MY-1E-008	8.00 (203.20)	34.0

Dimensions are in inches (mm). Tolerances: 2 Pl.  $\pm .01$ ; 3 Pl.  $\pm .005$

### Notes:

1. Case material: Aluminum alloy.
2. Case Finish: Blue Anodize.
3. Marking per model.

**Mini-Circuits**<sup>®</sup>  
ISO 9001 ISO 14001 CERTIFIED

ALL NEW  
[minicircuits.com](http://minicircuits.com)

P.O. Box 350166, Brooklyn, New York 11235-0003 (718) 934-4500 Fax (718) 332-4661 For detailed performance specs & shopping online see Mini-Circuits web site



The Design Engineers Search Engine Provides ACTUAL Data Instantly From MINI-CIRCUITS At: [www.minicircuits.com](http://www.minicircuits.com)

RF/IF MICROWAVE COMPONENTS