

Coaxial Switch

50Ω SPDT, Absorptive DC⁵ to 4.6 GHz

ZFSWA-2-46



Generic photo used for illustration purposes only

CASE STYLE: G144

Connectors	Model
SMA	ZFSWA-2-46

Maximum Ratings

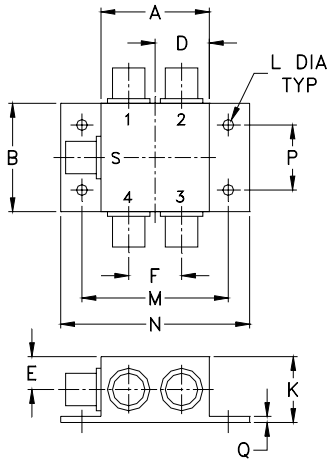
Operating Temperature	-55°C to 100°C
Storage Temperature	-55°C to 150°C
Input Power	see Note 1
Control V	see Note 2

Permanent damage may occur if any of these limits are exceeded.

Coaxial Connections

RF IN	S
RF OUT 1	3
RF OUT 2	2
CONTROL 1	4
CONTROL 2	1

Outline Drawing



Outline Dimensions (inch mm)

A	B	C	D	E	F	G	H
1.25	1.25	--	.63	.38	.61	--	--
31.75	31.75	--	16.00	9.65	15.49	--	--
J	K	L	M	N	P	Q	wt
--	.76	.125	1.688	2.18	.75	.07	grams
--	19.30	3.18	42.88	55.37	19.05	1.78	85.0

Features

- wideband, DC to 4.6 GHz
- high isolation, 50 dB typ.
- low video leakage, 30 mVp-p typ.
- excellent VSWR , 1.3:1 typ.

Applications

- instrumentation
- communication systems
- laboratory

Electrical Specifications

FREQ. ⁵ (GHz)	INSERTION LOSS (dB)						1dB COMPR. (dBm)			IN-OUT ISOLATION (dB)						
	f _L	f _U	DC-200 MHz		200-1000 MHz		1000-4600 MHz		DC-200 MHz	200-1000 MHz		1000-4600 MHz				
Typ.	Max.	Typ.	Max.	Typ.	Max.	Typ.	Typ.	Typ.	Typ.	Min.	Typ.	Min.	Typ.	Min.		
DC	4.6	0.8	1.1	0.9	1.3	1.5	2.6	10	17	27	60	45	50	40	30	25

Additional Specifications

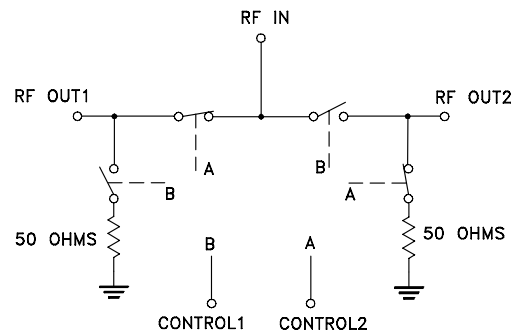
Control Voltage, volts	
Low State	-0.2 to 0
High State (negative) for compression specs for other specs	-8 -5 to -8
Control Current, mA	2.5 typ. at -8V
VSWR(:1)	1.3 typ.
Rise/Fall time (10%-90%), ns	2 typ.
Switching time, 50% of Control to 90% RF(Turn-on), ns	4 typ.
10% RF(Turn-off), ns	2.5 typ.
Video Leakage, mVp-p 0/-5V Control	30 typ.

1. Max Input RF power, +30 dBm except 100-500 MHz +27 dBm, and DC-100 MHz +24 dBm
2. Control voltage (-10V) maximum.
3. Video leakage or break through is defined as leakage of switching signal to RF output ports.
4. OFF state at RF output is low impedance.
5. All RF connections must be DC blocked or held at 0V DC.

CONTROL LOGIC

Control Ports		RF outputs	
1	2	1	2
-V	0	On	Off
0	-V	Off	On

Electrical Schematic



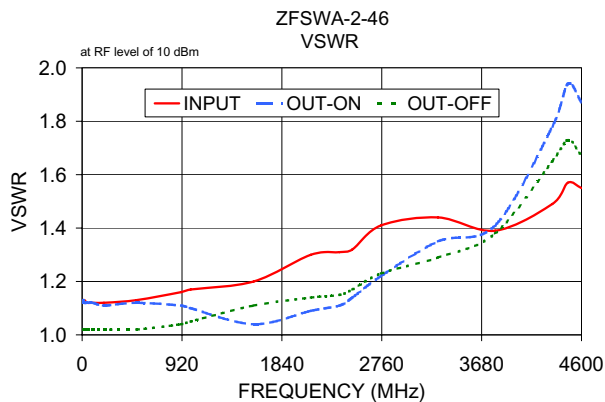
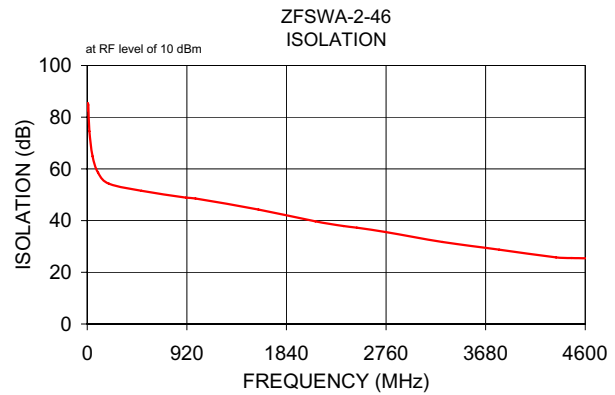
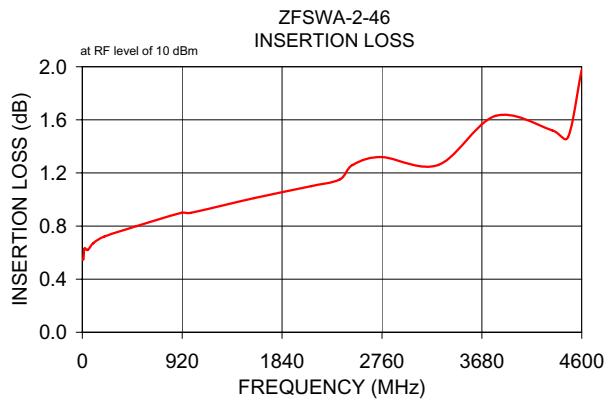
Notes

- Performance and quality attributes and conditions not expressly stated in this specification document are intended to be excluded and do not form a part of this specification document.
- Electrical specifications and performance data contained in this specification document are based on Mini-Circuit's applicable established test performance criteria and measurement instructions.
- The parts covered by this specification document are subject to Mini-Circuits standard limited warranty and terms and conditions (collectively, "Standard Terms"); Purchasers of this part are entitled to the rights and benefits contained therein. For a full statement of the Standard Terms and the exclusive rights and remedies thereunder, please visit Mini-Circuits' website at www.minicircuits.com/MCLStore/terms.jsp



Typical Performance Data

FREQ. (MHz)	ON INSERTION LOSS (dB) CONTROL @ 0V/-5V IN-OUT		OFF ISOLATION (dB) CONTROL @ 0V/-5V IN-OUT		VSWR IN	VSWR ON	VSWR OUT OFF
	\bar{x}	σ	\bar{x}	σ			
3.00	0.55	0.01	82.53	2.67	1.12	1.12	1.02
5.00	0.55	0.02	85.42	4.39	1.12	1.12	1.02
10.00	0.55	0.02	84.71	7.84	1.13	1.13	1.02
20.00	0.63	0.04	74.57	2.52	1.13	1.12	1.02
50.00	0.62	0.02	64.87	0.76	1.12	1.12	1.02
100.00	0.67	0.02	58.56	0.45	1.12	1.12	1.02
200.00	0.72	0.02	54.29	0.36	1.12	1.11	1.02
500.00	0.80	0.02	51.52	0.42	1.13	1.12	1.02
911.55	0.90	0.02	48.87	1.18	1.16	1.11	1.04
1000.00	0.90	0.03	48.56	1.23	1.17	1.10	1.05
1581.00	1.01	0.04	44.26	1.63	1.20	1.04	1.11
2107.00	1.10	0.03	39.70	1.28	1.30	1.09	1.14
2370.00	1.15	0.05	37.89	1.12	1.31	1.11	1.15
2489.55	1.26	0.06	37.25	0.97	1.32	1.14	1.17
2752.55	1.32	0.07	35.59	0.62	1.41	1.22	1.23
3278.55	1.26	0.04	31.74	1.06	1.44	1.35	1.29
3804.55	1.63	0.09	28.75	0.72	1.39	1.41	1.38
4330.55	1.52	0.06	25.75	0.41	1.49	1.78	1.65
4474.00	1.47	0.09	25.51	0.36	1.57	1.94	1.73
4600.00	1.98	0.06	25.42	0.32	1.55	1.87	1.67



Notes

- A. Performance and quality attributes and conditions not expressly stated in this specification document are intended to be excluded and do not form a part of this specification document.
- B. Electrical specifications and performance data contained in this specification document are based on Mini-Circuit's applicable established test performance criteria and measurement instructions.
- C. The parts covered by this specification document are subject to Mini-Circuits standard limited warranty and terms and conditions (collectively, "Standard Terms"); Purchasers of this part are entitled to the rights and benefits contained therein. For a full statement of the Standard Terms and the exclusive rights and remedies thereunder, please visit Mini-Circuits' website at www.minicircuits.com/MCLStore/terms.jsp

