



COAXIAL

Bi-Directional Coupler ZFBDC20-62HP+

50Ω Up to 50W 10 to 600 MHz

FEATURES

- Excellent mainline loss, 0.25 dB typ.
- Excellent directivity, 25 dB typ.
- High power, up to 50W
- Rugged shielded case



Generic photo used for illustration purposes only

CASE STYLE: JD1252

Connectors	Model
BNC	ZFBDC20-62HP+
SMA	ZFBDC20-62HP-S+

APPLICATIONS

- Power leveling & monitoring
- Military mobile

+RoHS Compliant

The +Suffix identifies RoHS Compliance. See our website for methodologies and qualifications

ELECTRICAL SPECIFICATIONS

Parameter	Frequency (MHz)	Min.	Typ.	Max.	Units
Frequency Range		10		600	MHz
Mainline Loss ¹	10-600		0.25	0.70	dB
	10-450		0.20	0.50	
Coupling Nominal	10-600		20.0±0.5		dB
	10-450		20.2±0.5		
Coupling Flatness (±)	10-600		±0.9		dB
	10-450		±0.5		
Directivity	10-600	16	25		dB
	10-450	19	28		
VSWR	10-600		1.05		:1
	10-450		1.05		
Input Power ²	10-600			25	W
	10-450			50	

1. Mainline loss includes theoretical power loss at coupled port.

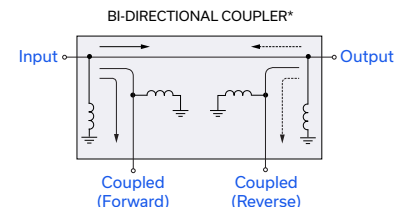
2. Power rating is specified up to +55°C. Power Input Specifications at +100°C is 50% value at +55°C. For specifications limits between +55°C and +100°C, derate linearly.

MAXIMUM RATINGS

Parameter	Ratings
Operating Temperature	-55°C to 100°C
Storage Temperature	-55°C to 100°C

Permanent damage may occur if any of these limits are exceeded.

ELECTRICAL SCHEMATIC



*Electrical schematic is for Bi-Directional coupler with internal transformer(s) that routes DC from all ports to ground





COAXIAL

Bi-Directional Coupler ZFBDC20-62HP+

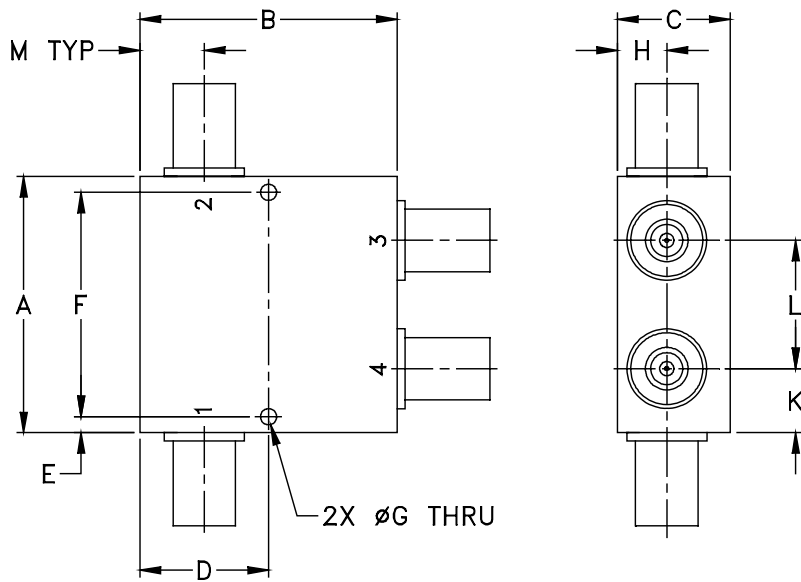
Mini-Circuits

50Ω Up to 50W 10 to 600 MHz

COAXIAL CONNECTIONS

Input	1
Output	2
Coupled (Forward)	4
Coupled (Reverse)	3

OUTLINE DRAWING



OUTLINE DIMENSIONS (Inch/mm)

A	B	C	D	E	F	G	
2.00	2.00	.88	1.000	0.13	1.750	0.125	
50.80	50.80	22.35	25.40	3.30	44.45	3.18	
H	J	K	L	M		wt	
0.38	--	0.50	1.00	0.50		grams	
9.65	--	12.70	25.40	12.70		250.0	



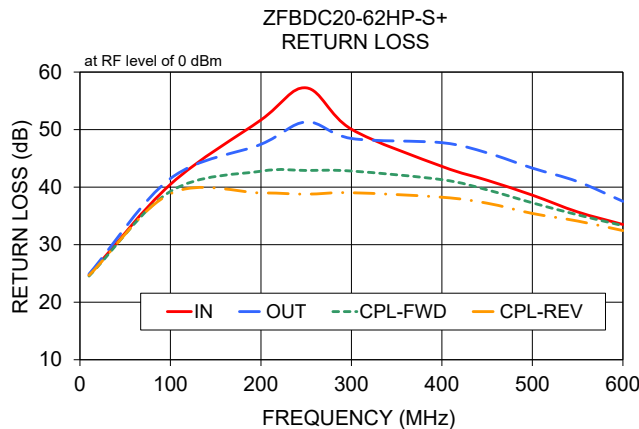
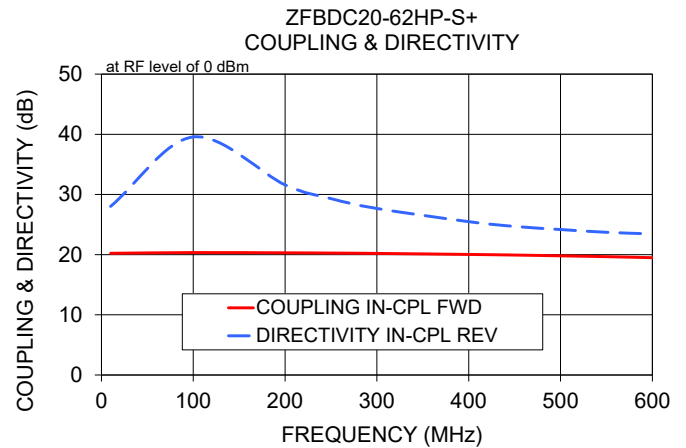
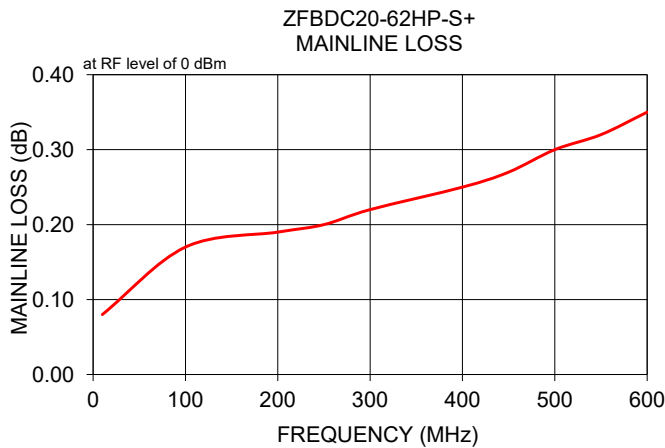
COAXIAL

Bi-Directional Coupler ZFBDC20-62HP+

50Ω Up to 50W 10 to 600 MHz

TYPICAL PERFORMANCE DATA AND CHARTS

Frequency (MHz)	Mainline Loss (dB) In-Out	Coupling (dB)		Directivity (dB)		Return Loss (dB)			
		In-Cpl Fwd	Out-Cpl Rev	Out-Cpl Fwd	In-Cpl Rev	In	Out	Cpl Fwd	Cpl Rev
10.00	0.08	20.22	20.16	28.32	28.02	24.73	24.90	24.55	24.68
100.00	0.17	20.34	20.24	38.07	39.56	40.49	41.50	39.26	38.86
200.00	0.19	20.30	20.29	30.76	31.59	51.68	47.45	42.77	39.00
250.00	0.20	20.26	20.29	28.54	29.31	57.26	51.33	42.90	38.78
300.00	0.22	20.20	20.30	27.39	27.67	50.07	48.46	42.80	39.03
400.00	0.25	20.03	20.26	25.18	25.48	43.61	47.73	41.30	38.25
450.00	0.27	19.93	20.22	24.33	24.69	41.20	45.96	39.53	37.21
500.00	0.30	19.80	20.15	23.67	24.17	38.61	43.31	37.27	35.43
550.00	0.32	19.66	20.07	23.13	23.71	35.69	40.97	35.19	34.11
600.00	0.35	19.49	19.95	22.75	23.44	33.51	37.54	33.31	32.45



- NOTES**
- A. Performance and quality attributes and conditions not expressly stated in this specification document are intended to be excluded and do not form a part of this specification document.
 - B. Electrical specifications and performance data contained in this specification document are based on Mini-Circuit's applicable established test performance criteria and measurement instructions.
 - C. The parts covered by this specification document are subject to Mini-Circuits standard limited warranty and terms and conditions (collectively, "Standard Terms"); Purchasers of this part are entitled to the rights and benefits contained therein. For a full statement of the standard terms and the exclusive rights and remedies thereunder, please visit Mini-Circuits' website at www.minicircuits.com/terms/viewterm.html

